



THE DOOR OF BEAUTY & INNOVATION



TABLE OF CONTENTS

INTRODUCTION	4-7	WHITE OAK SERIES	178-191
Introduction	4-5	Door Specs	179-187
Plastpro's Quality	6	Sidelite Specs	188-190
Door Specifications	7		
LIMITED SERIES	8-11	ONELITE SERIES	192-198
Door Specs	9-10	Door Specs	193-197
Sidelite Specs	11	Sidelite Specs	198
MODERN SERIES	12-25	NOVA SERIES	200-216
Door Specs	13-24	Door Specs	201-206
		Sidelite Specs	207-210
		Accessory Specs	211-216
CRAFTSMAN SERIES	26-49	TRIMMABLE SERIES	218-219
Door Specs	27-35	Door Specs	219
Sidelite Specs	36-43		
Accessory Specs	44-49	DOORLITE SERIES	220-224
		Glass sizes & Cutout Codes	221
		Glass Size Charts	222-224
		Solution Doorlite Series	225
RUSTIC SERIES	50-73	TESTING RESULTS	226
Door Specs	51-67		
Sidelite Specs	68		
Accessory Specs	69-72		
MAHOGANY SERIES	74-83		
Door Specs	75-80		
Sidelite Specs	81-83		
OAK SERIES	84-125		
Door Specs	85-112		
Sidelite Specs	113-124		
Accessory Specs	125		
SMOOTH SERIES	126-176		
Door Specs	128-163		
Sidelite Specs	164-176		



ABOUT PLASTPRO

We choose a door for its aesthetic qualities, but doors offer so much more than a cohesive look for our houses. Our front doors are the gateway to our homes, a warm place to welcome guests and loved ones. Our front door ushers us into the start of our day and welcomes us back to our homes and families at the end of the day. Doors aren't just doors; they reflect our style and they offer protection for the people that matter most. We want you to choose a door that best represents you, makes you feel secure, and fits your needs.

Since 1994, Plastpro has focused on providing a superior product with the best value, technology, and commitment to our customers. Wood and steel doors were historically preferred in the industry, but both come with long-term problems, such as rotting, rusting, and weather damage. Our fiberglass doors are the best solution for these longevity issues. They are not susceptible to weather damage, require less maintenance, and offer higher performance ratings. We've introduced the first door with composite stiles and rails, HydroShield Technology, and composite Polyfiber (PF) Frames to the industry. Our doors feature a full length LVL block that provides stronger rigidity and a range of door locks and hardware to be installed for increased security. We carry a wide variety of designs, sizes, and styles to elevate any home.

From the beginning, we've been committed to providing superior products and to creating opportunities. Our goal is to create positive change for our employees, customers, and our community. We believe in doing good for the world and making a difference. For us, success is only as good as the good it creates. We've continuously partnered with Habitat for Humanity in order to create affordable, green houses for low-income families across the nation. We've donated more than 500 doors to various chapters of Habitat for Humanity and other non-profit organizations. With a Plastpro door, you not only acquire a beautiful door with the best quality, you become part of Plastpro and join us in giving back to others.

SUSTAINABILITY

Plastpro not only gives back to our community, we also do our part in preserving the environment by creating sustainable products. For us, sustainability means balancing our environmental, economic, and social goals. Our fiberglass doors are a great green alternative because they are: durable, have a longer lifespan, are energy efficient, and environmentally friendly. Fiberglass has many benefits and is a natural choice for consumers seeking building materials that are green and sustainable.

The material is designed to last for decades and is impervious to time, temperature, and corrosive agents. Because fiberglass is so durable, there is less waste produced because products aren't thrown away as regularly due to their long life cycles. Since our doors need to be replaced less often, it makes them more cost effective and reduces the amount of resources needed for manufacturing. They also require less maintenance, which consumes a large part of a buildings budget. Over a building's lifetime, maintenance can easily exceed the original construction costs.

Plastpro is committed to providing sustainable products to meet our consumers' needs, while keeping the integrity and balance of natural resources. By choosing a Plastpro door, it means having the best value while minimizing long term effects on the environment.

ENERGY EFFICIENT

We are also proud to be a part of the governments ENERGY STAR Program. As an ENERGY STAR Partner, our products have been shown to meet regional standards for energy efficiency and conservation.

Fiberglass doors are one of the most energy-efficient building products available on the market today. Our fiberglass doors are energy efficient due to their good insulation. Thorough insulation is one of the best ways to reduce energy consumption and building operation costs because of the ability to seal out any type of element. Buildings in the U.S. use over 60 percent of electrical demand. Homes and buildings that use energy efficient building products use a third less energy and can save 40 to 60 percent of energy over non ENERGY STAR qualified doors. Our ENERGY STAR qualified doors offer homeowners savings by using less electricity, lowering bills, improving comfort, and helping protect the environment.

WARRANTY

We are proud to offer one of the best warranties in the industry. Plastpro products are held to high standards. We stand behind our products and guarantee the best quality to meet your performance expectations.

TECHNOLOGY

Plastpro brings the latest technological advancements to the industry to meet our customer's needs. Our commitment to quality is backed by extensive research and vertical integration, to ensure consistent innovative products. With vertical integration, we can focus on improving each individual door component by maintaining control over each stage of development from raw material to finished product. With the opening of our Ashtabula, Ohio plant in 2005, Plastpro has even greater quality control, as well as the flexibility to create new products to better react to market need and demand. We're able to offer homeowners the widest possible choice of product designs and sizes. Through our design and high quality structure, to the assembly and delivery of our products, Plastpro ensures everything we do meets our rigorous standards. We have built a reputation by offering the best quality and innovative products through extensive research and technological developments.

PLASTPRO'S QUALITY

PATENTED HYDROSHIELD™ TECHNOLOGY

Our exclusive HydroShield technology protects our doors against moisture and humidity infiltration, by creating a fully composite barrier that encases and protects the door on all six sides. It prevents warping, delamination, corrosion, rotting, and the buildup of mold and mildew. Our doors with HydroShield technology used with our Polyfiber (PF) Door Frames create an enhanced, impenetrable entryway.



1 FIBERGLASS REINFORCED DOOR SKINS

Our exclusive formula is measured precisely to ensure each skin is produced to the highest quality. With unlimited design options, customized panel configurations are possible. The skins require little maintenance and will not splinter, dent, warp, rot, or rust. They can be painted, stained, and we provide a variety of graining options.

2 FULL LENGTH COMPOSITE STILES

Our full-length composite stiles protect the door from external moisture to prevent warping or rotting. They have twice the screw-holding strength of wood.

3 COMPOSITE TOP & BOTTOM RAILS

High strength composite top and bottom rails prevent moisture from seeping into the door and stops the buildup of mold.

4 EXTENDED LOCKBLOCK

Plastpro's full length LVL allows any type of lock to be placed for increased security.

5 POLYURETHANE FOAM CORE

Our advanced CFC-free, high density, Polyurethane foam core enhances the door's soundproofing capabilities and provides insulation up to six times greater than wood doors.



BACKED BY WARRANTY

We are proud to offer one of the best warranties in the industry. Plastpro products are held to high standards. We stand behind our products and guarantee the best quality to meet your performance expectations.

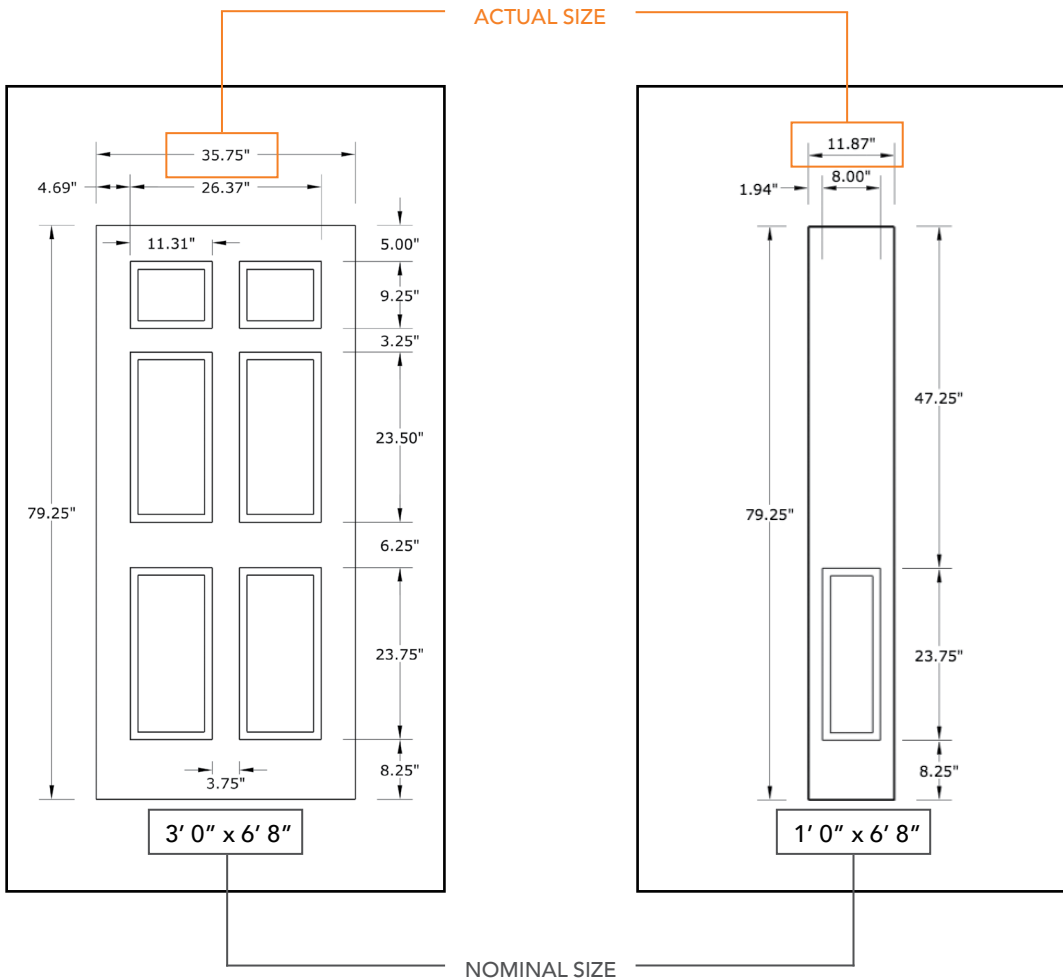
DOOR SPECIFICATIONS

PLASTPRO DOOR SIZES				
WIDTH		X	HEIGHT	
2' 0"	23 3/4"		6' 8"	79 1/4"
2' 4"	27 3/4"	7' 0"	83 1/4"	
2' 6"	29 3/4"	8' 0"	95 1/4"	
2' 8"	31 3/4"			
2' 10"	33 3/4"			
3' 0"	35 3/4"			
3' 6"	41 3/4"			

- Nominal Size
 - Actual Size
- Door Thickness: 1 3/4"

PLASTPRO SIDELITE SIZES				
WIDTH		X	HEIGHT	
1' 0"	11 7/8"		6' 8"	79 1/4"
1' 2"	13 7/8"	7' 0"	83 1/4"	
		8' 0"	95 1/4"	

- Nominal Size
 - Actual Size
- Sidelite Thickness: 1 3/4"



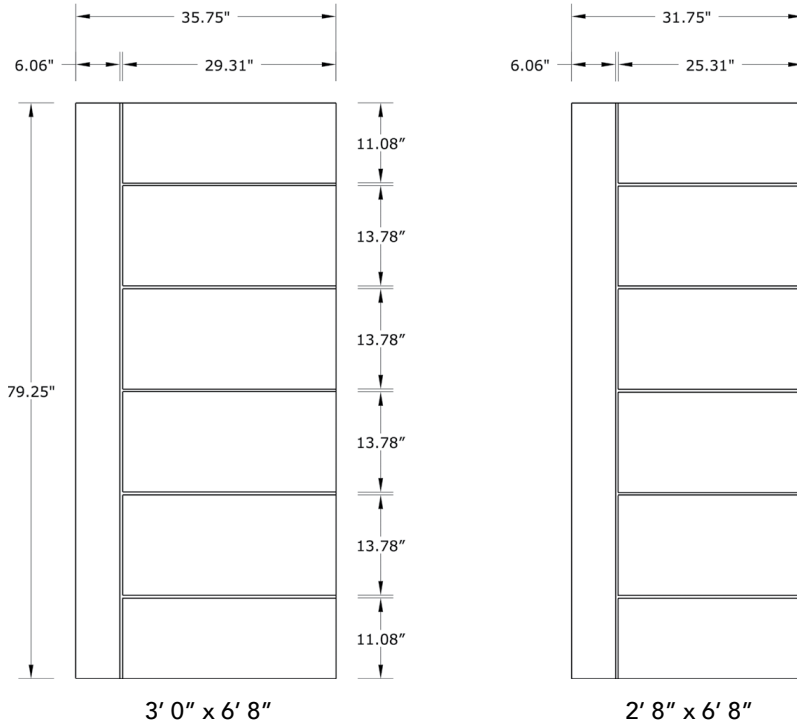
LIMITED SERIES

Our Limited Series was specifically selected to showcase some of the richest, most luxurious graining available. The Knotty Alder and Teak doors are beautifully detailed. Knotty Alder is admired for its subtle swirls and rich grain pattern with sound knots. Teak is a worldwide favorite for its beautiful, straight, yet occasionally wavy or interlocked grain patterns. These grains exude an authentic wood grain and are so versatile they will complement any home.

6'8" DMT51 MILAN DOOR

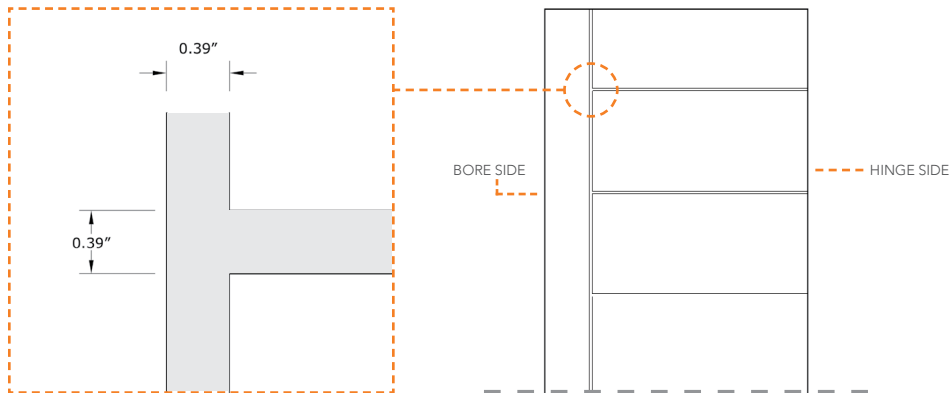
TEAK GRAIN

AVAILABLE SIZING



NOTE: BY REQUEST, DOOR HEIGHT COMES IN VARYING DIMENSIONS TO A MINIMUM OF 79". EXCESS WILL BE TAKEN FROM BOTTOM RAIL. ALL OTHER DIMENSIONS WILL REMAIN THE SAME.

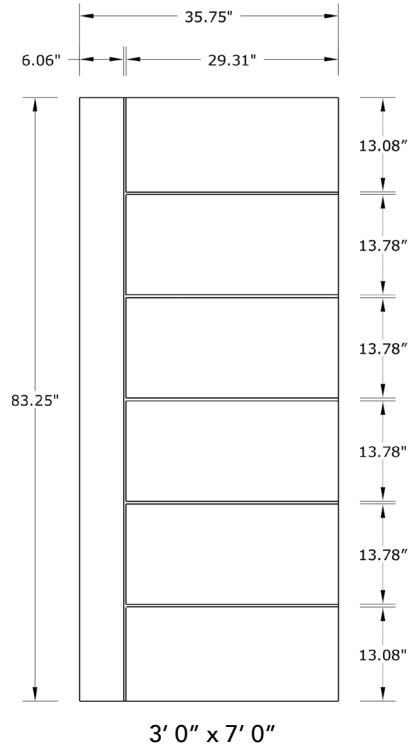
CARVING DETAIL CLOSE UP



7'0" DMT5170 MILAN DOOR

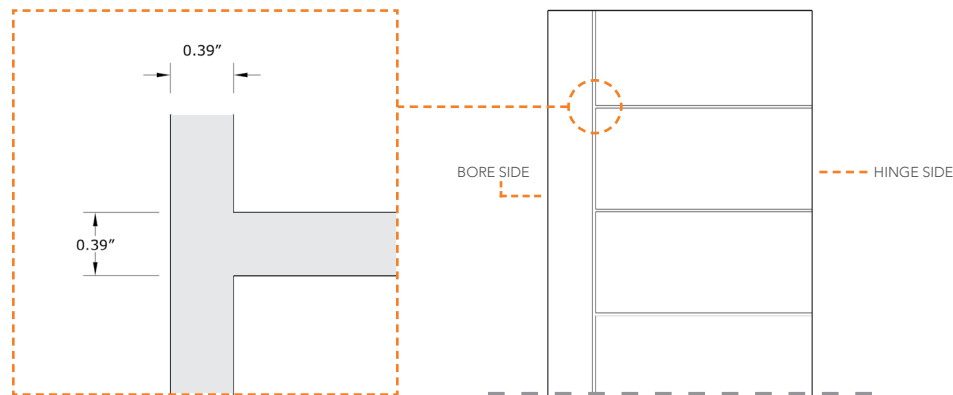
TEAK GRAIN

AVAILABLE SIZING



NOTE: BY REQUEST, DOOR HEIGHT COMES IN VARYING DIMENSIONS TO A MINIMUM OF 83". EXCESS WILL BE TAKEN FROM BOTTOM RAIL. ALL OTHER DIMENSIONS WILL REMAIN THE SAME.

CARVING DETAIL CLOSE UP

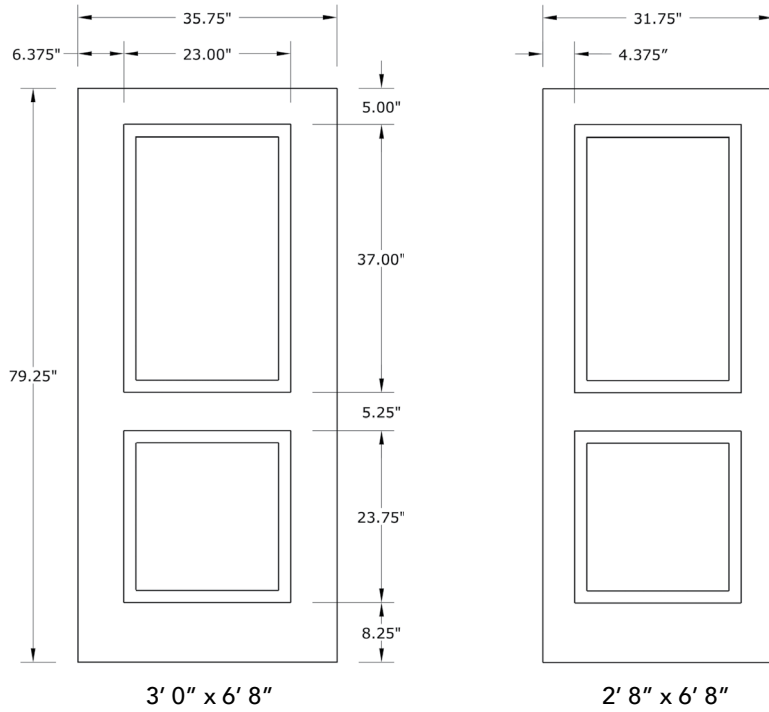


6'8" DRK2B TWO PANEL DOOR

KNOTTY ALDER

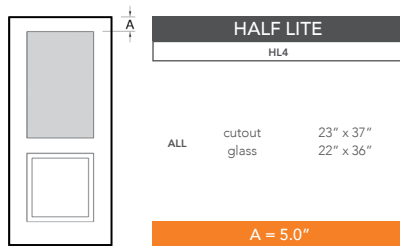
SQUARE PANEL & SQUARE TOP

AVAILABLE SIZING



NOTE: BY REQUEST, DOOR HEIGHT COMES IN VARYING DIMENSIONS TO A MINIMUM OF 79". EXCESS WILL BE TAKEN FROM BOTTOM RAIL. ALL OTHER DIMENSIONS WILL REMAIN THE SAME.

CUTOUTS & GLASS



A = DISTANCE FROM TOP OF DOOR TO TOP OF CUTOUT



MODERN SERIES

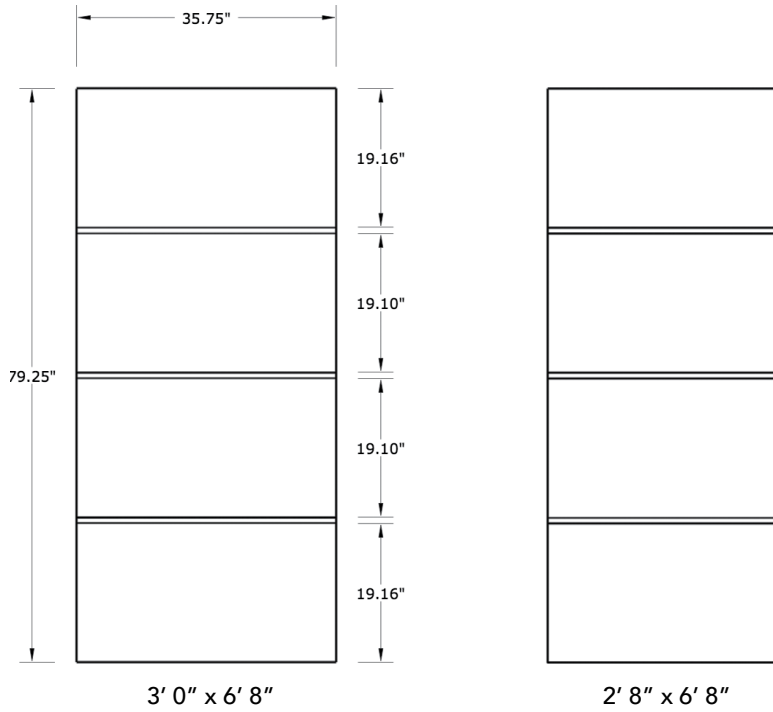
The Modern Series effortlessly makes a contemporary design simpler. Our doors are designed to have a cleaner style by incorporating clean, simple lines and single patterned glass. This clean look can complement any homes interior and exterior.

PG 12- 25

6'8" DMG46 SOUTH BEACH DOOR

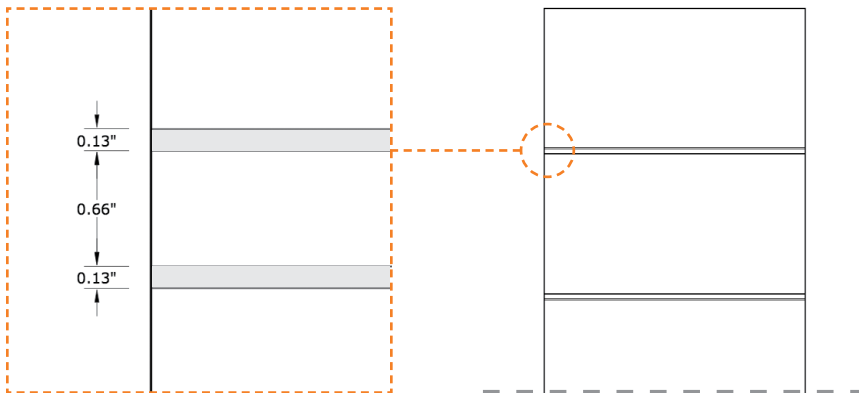
OAK GRAIN

AVAILABLE SIZING



NOTE: BY REQUEST, DOOR HEIGHT COMES IN VARYING DIMENSIONS TO A MINIMUM OF 79". EXCESS WILL BE TAKEN FROM BOTTOM RAIL. ALL OTHER DIMENSIONS WILL REMAIN THE SAME.

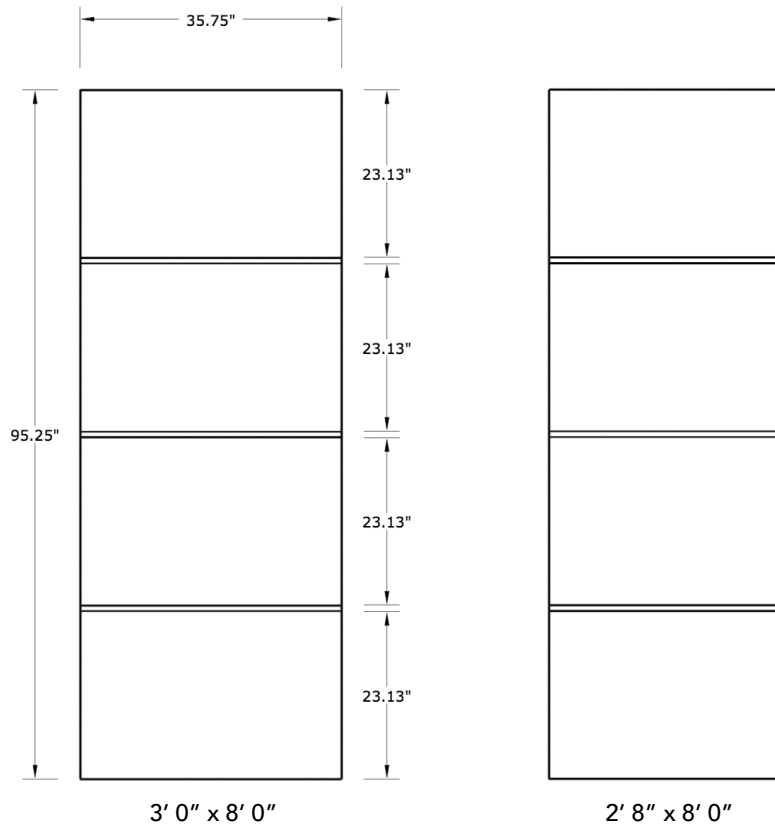
CARVING DETAIL CLOSE UP



8'0" DMG4680 SOUTH BEACH DOOR

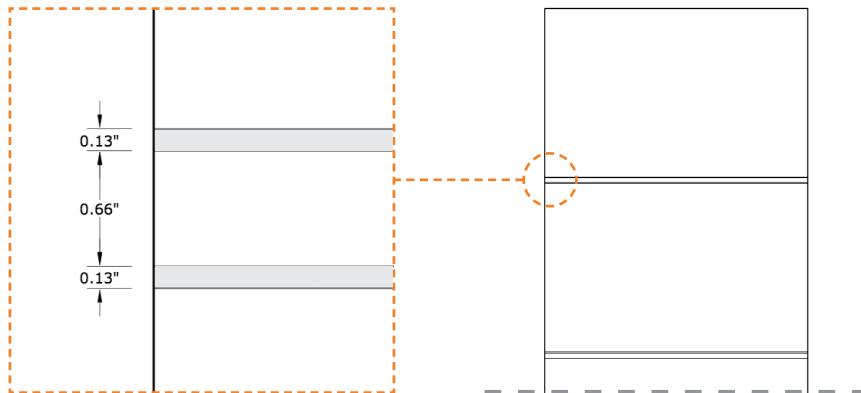
OAK GRAIN

AVAILABLE SIZING



NOTE: BY REQUEST, DOOR HEIGHT COMES IN VARYING DIMENSIONS TO A MINIMUM OF 95". EXCESS WILL BE TAKEN FROM BOTTOM RAIL. ALL OTHER DIMENSIONS WILL REMAIN THE SAME.

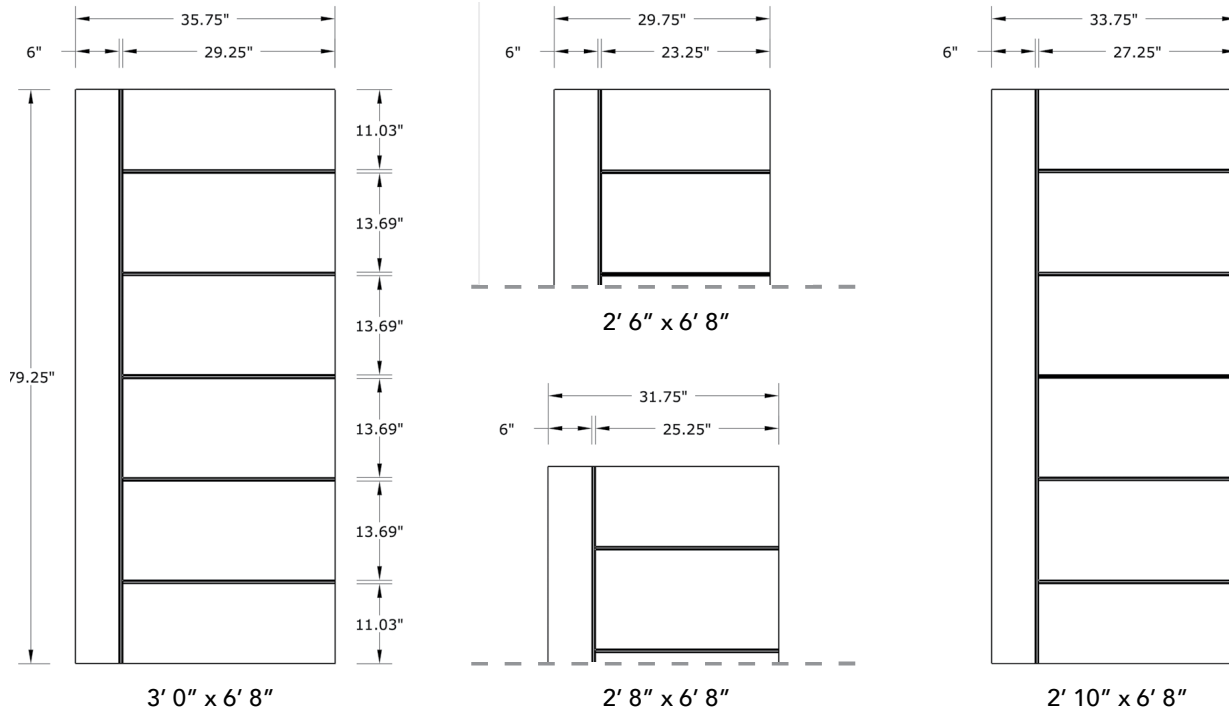
CARVING DETAIL CLOSE UP



6'8" DMG51 NAPOLI DOOR

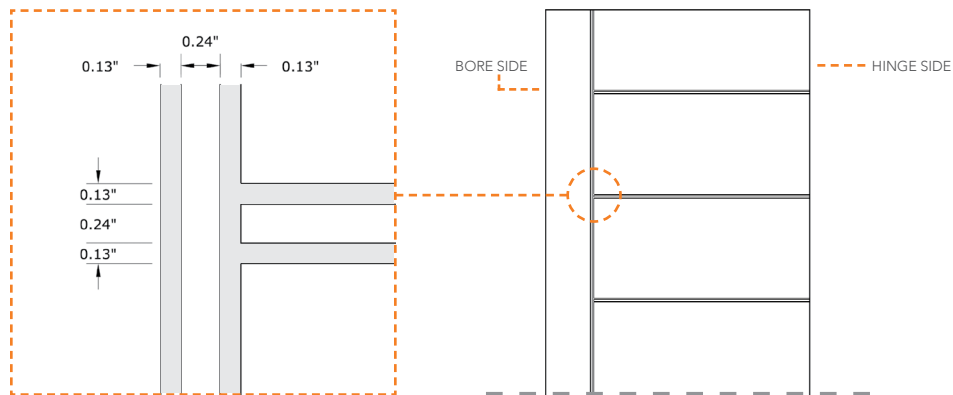
OAK GRAIN

AVAILABLE SIZING



NOTE: BY REQUEST, DOOR HEIGHT COMES IN VARYING DIMENSIONS TO A MINIMUM OF 79". EXCESS WILL BE TAKEN FROM BOTTOM RAIL. ALL OTHER DIMENSIONS WILL REMAIN THE SAME.

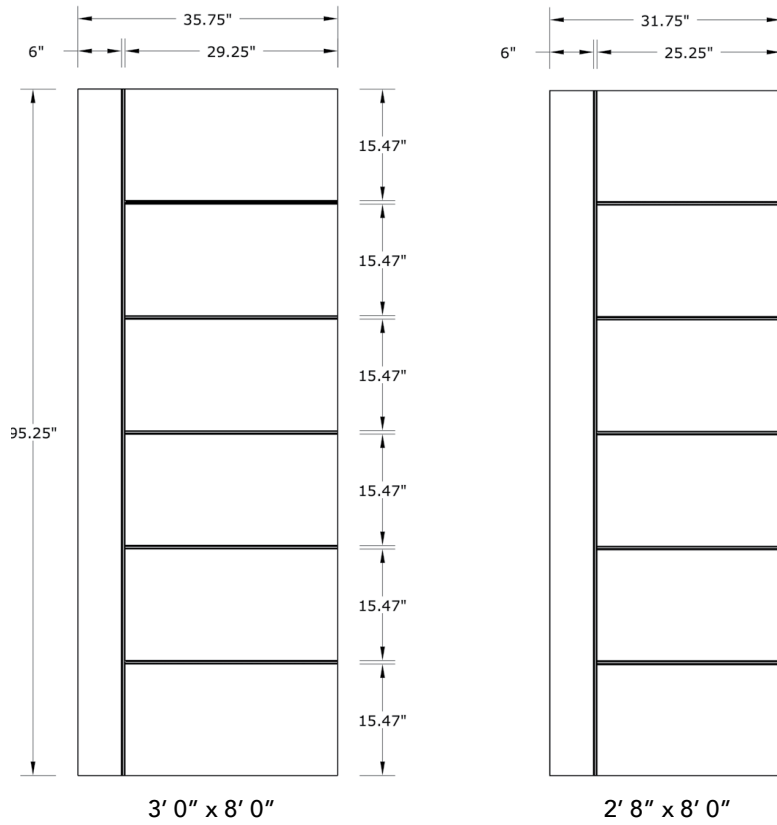
CARVING DETAIL CLOSE UP



8'0" DMG5180 NAPOLI DOOR

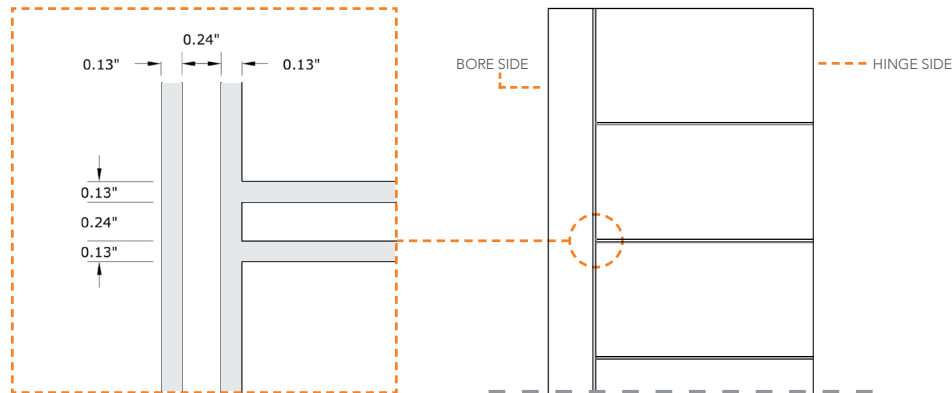
OAK GRAIN

AVAILABLE SIZING



NOTE: BY REQUEST, DOOR HEIGHT COMES IN VARYING DIMENSIONS TO A MINIMUM OF 95". EXCESS WILL BE TAKEN FROM BOTTOM RAIL. ALL OTHER DIMENSIONS WILL REMAIN THE SAME.

CARVING DETAIL CLOSE UP

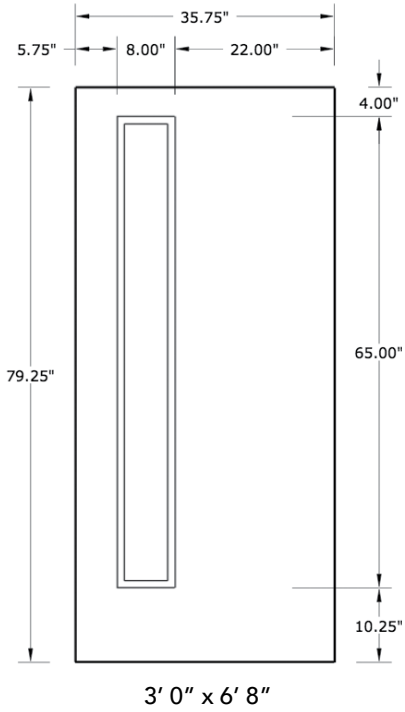


6'8" DMS1L BIENVENUE DOOR

SMOOTH SKIN

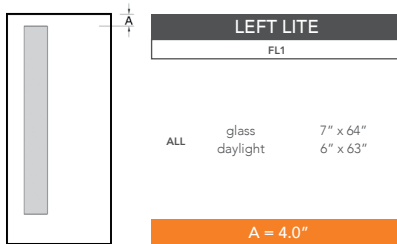
FLUSH GLAZED LEFT LITE

AVAILABLE SIZING



NOTE: BY REQUEST, DOOR HEIGHT COMES IN VARYING DIMENSIONS TO A MINIMUM OF 79". EXCESS WILL BE TAKEN FROM BOTTOM RAIL. ALL OTHER DIMENSIONS WILL REMAIN THE SAME.

GLASS & DAYLIGHT OPENING



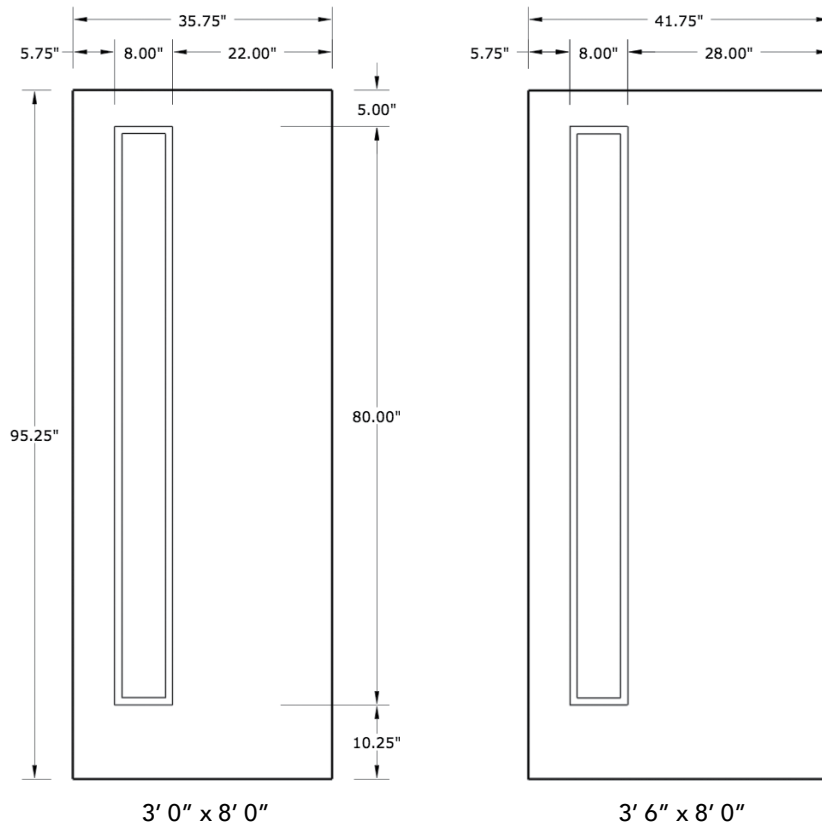
A = DISTANCE FROM TOP OF DOOR TO TOP OF OPENING

8'0" DMS1L80 BIENVENUE DOOR

SMOOTH SKIN

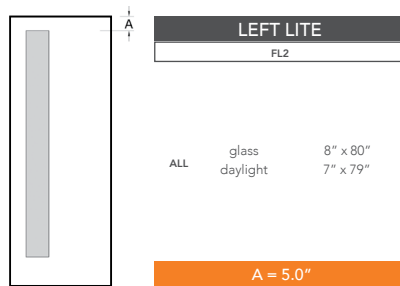
FLUSH GLAZED LEFT LITE

AVAILABLE SIZING



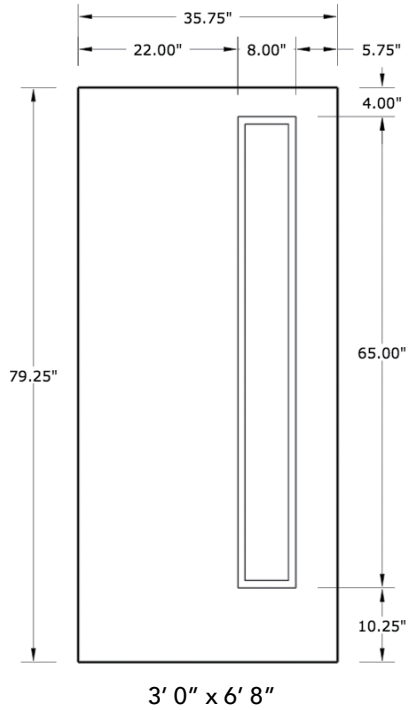
NOTE: BY REQUEST, DOOR HEIGHT COMES IN VARYING DIMENSIONS TO A MINIMUM OF 95". EXCESS WILL BE TAKEN FROM BOTTOM RAIL. ALL OTHER DIMENSIONS WILL REMAIN THE SAME.

GLASS & DAYLIGHT OPENING



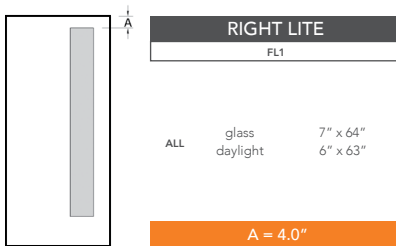
A = DISTANCE FROM TOP OF DOOR TO TOP OF OPENING

AVAILABLE SIZING



NOTE: BY REQUEST, DOOR HEIGHT COMES IN VARYING DIMENSIONS TO A MINIMUM OF 79". EXCESS WILL BE TAKEN FROM BOTTOM RAIL. ALL OTHER DIMENSIONS WILL REMAIN THE SAME.

GLASS & DAYLIGHT OPENING



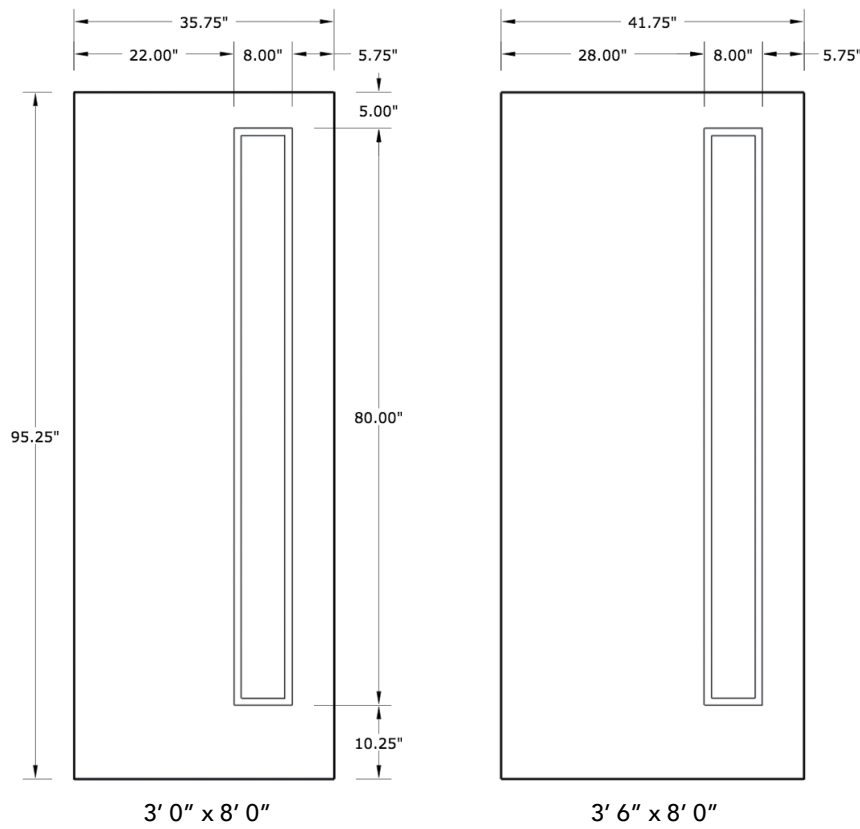
A = DISTANCE FROM TOP OF DOOR TO TOP OF OPENING

8'0" DMS1R80 BIENVENUE DOOR

SMOOTH SKIN

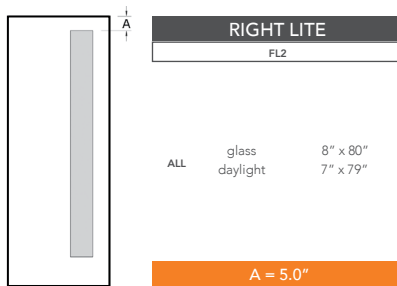
FLUSH GLAZED RIGHT LITE

AVAILABLE SIZING



NOTE: BY REQUEST, DOOR HEIGHT COMES IN VARYING DIMENSIONS TO A MINIMUM OF 95". EXCESS WILL BE TAKEN FROM BOTTOM RAIL. ALL OTHER DIMENSIONS WILL REMAIN THE SAME.

GLASS & DAYLIGHT OPENING



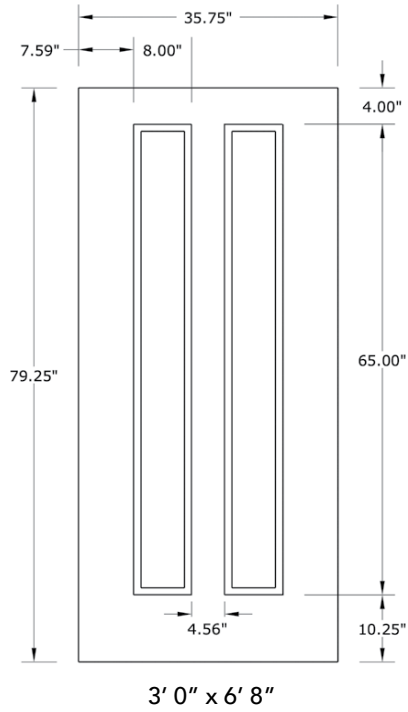
A = DISTANCE FROM TOP OF DOOR TO TOP OF OPENING

6'8" DMS1T MARTINIQUE DOOR

SMOOTH SKIN

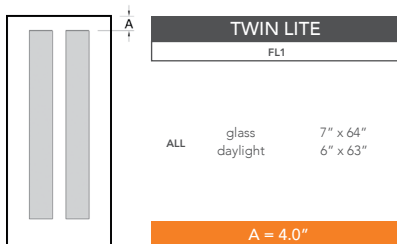
FLUSH GLAZED TWIN LITE

AVAILABLE SIZING



NOTE: BY REQUEST, DOOR HEIGHT COMES IN VARYING DIMENSIONS TO A MINIMUM OF 79". EXCESS WILL BE TAKEN FROM BOTTOM RAIL. ALL OTHER DIMENSIONS WILL REMAIN THE SAME.

GLASS & DAYLIGHT OPENING



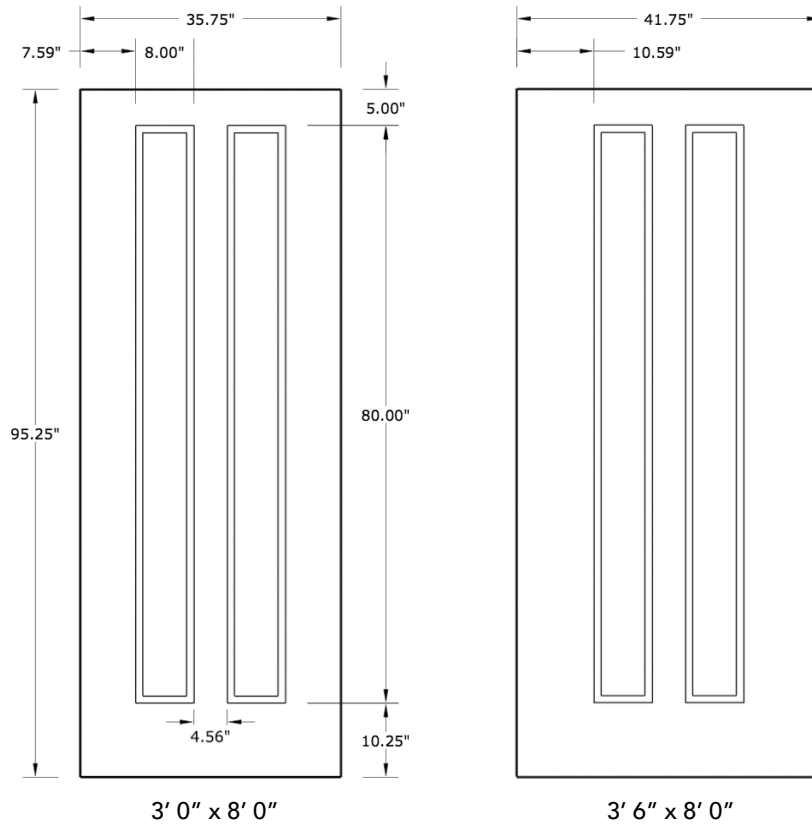
A = DISTANCE FROM TOP OF DOOR TO TOP OF OPENING

8'0" DMS1T80 MARTINIQUE DOOR

SMOOTH SKIN

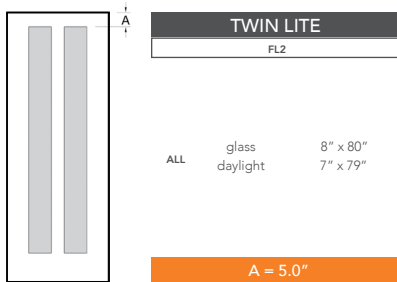
FLUSH GLAZED TWIN LITE

AVAILABLE SIZING



NOTE: BY REQUEST, DOOR HEIGHT COMES IN VARYING DIMENSIONS TO A MINIMUM OF 95". EXCESS WILL BE TAKEN FROM BOTTOM RAIL. ALL OTHER DIMENSIONS WILL REMAIN THE SAME.

GLASS & DAYLIGHT OPENING

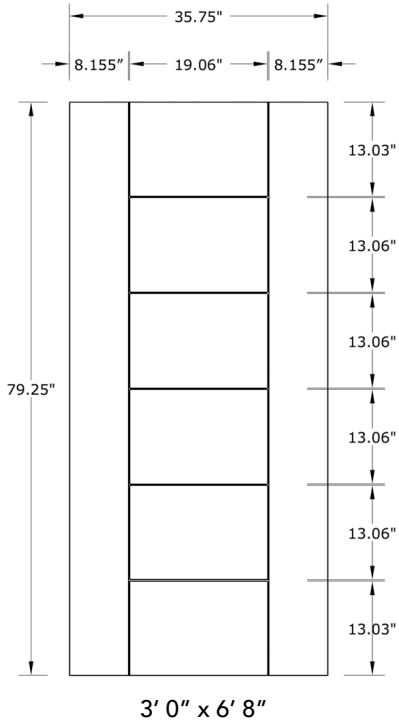


A = DISTANCE FROM TOP OF DOOR TO TOP OF OPENING

6'8" DMS5H INFINITY DOOR

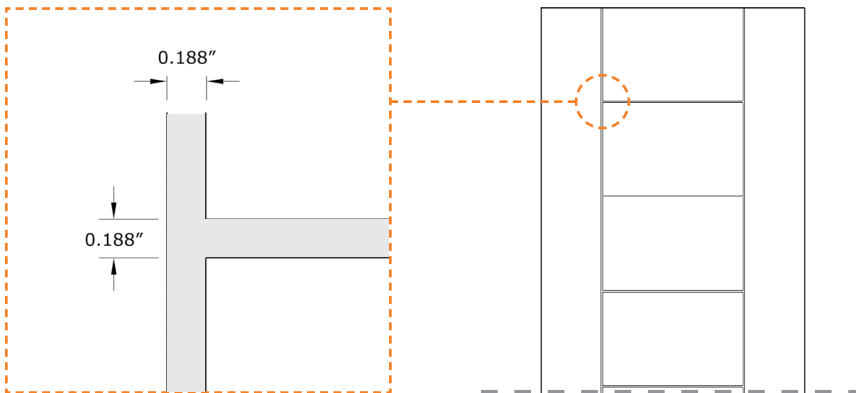
SMOOTH SKIN

AVAILABLE SIZING



NOTE: BY REQUEST, DOOR HEIGHT COMES IN VARYING DIMENSIONS TO A MINIMUM OF 79". EXCESS WILL BE TAKEN FROM BOTTOM RAIL. ALL OTHER DIMENSIONS WILL REMAIN THE SAME.

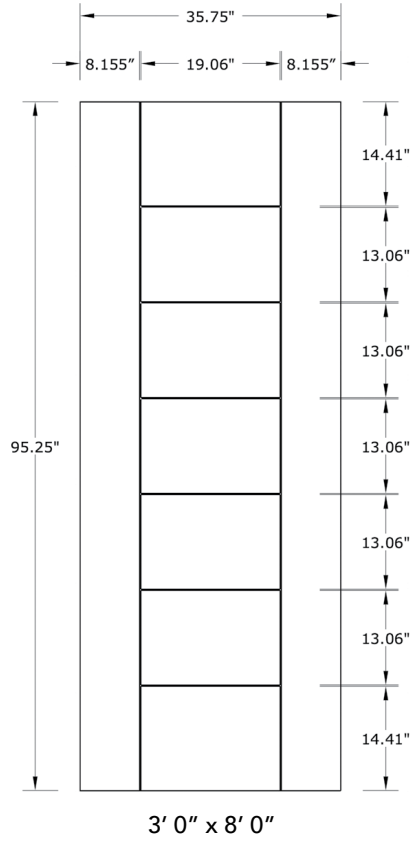
CARVING DETAIL CLOSE UP



8'0" DMS5H80 INFINITY DOOR

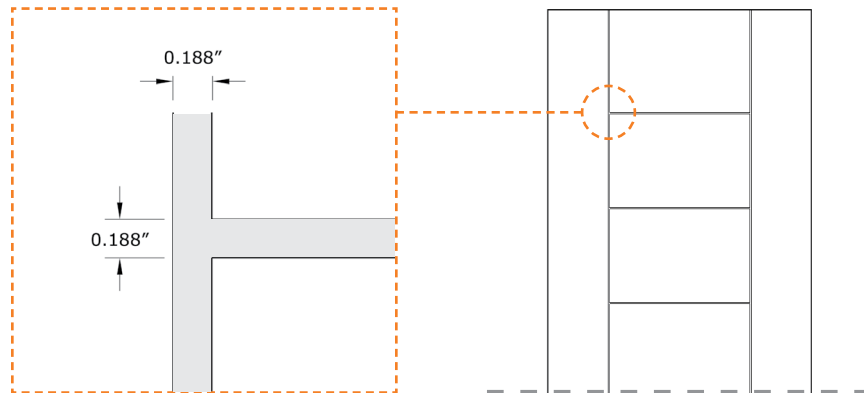
SMOOTH SKIN

AVAILABLE SIZING



NOTE: BY REQUEST, DOOR HEIGHT COMES IN VARYING DIMENSIONS TO A MINIMUM OF 95". EXCESS WILL BE TAKEN FROM BOTTOM RAIL. ALL OTHER DIMENSIONS WILL REMAIN THE SAME.

CARVING DETAIL CLOSE UP







CRAFTSMAN SERIES

The Craftsman Series pulls design inspiration from 20th century architecture, for simple, classic, statement doors. Our Craftsman style doors feature a flat panel and have the traditional look of a wood door. This series offers a selection of ovolo profiles, simple Shaker profiles, and sleek direct glazed options, combining modern and classic elements. Grain options in this series are fir and smooth.

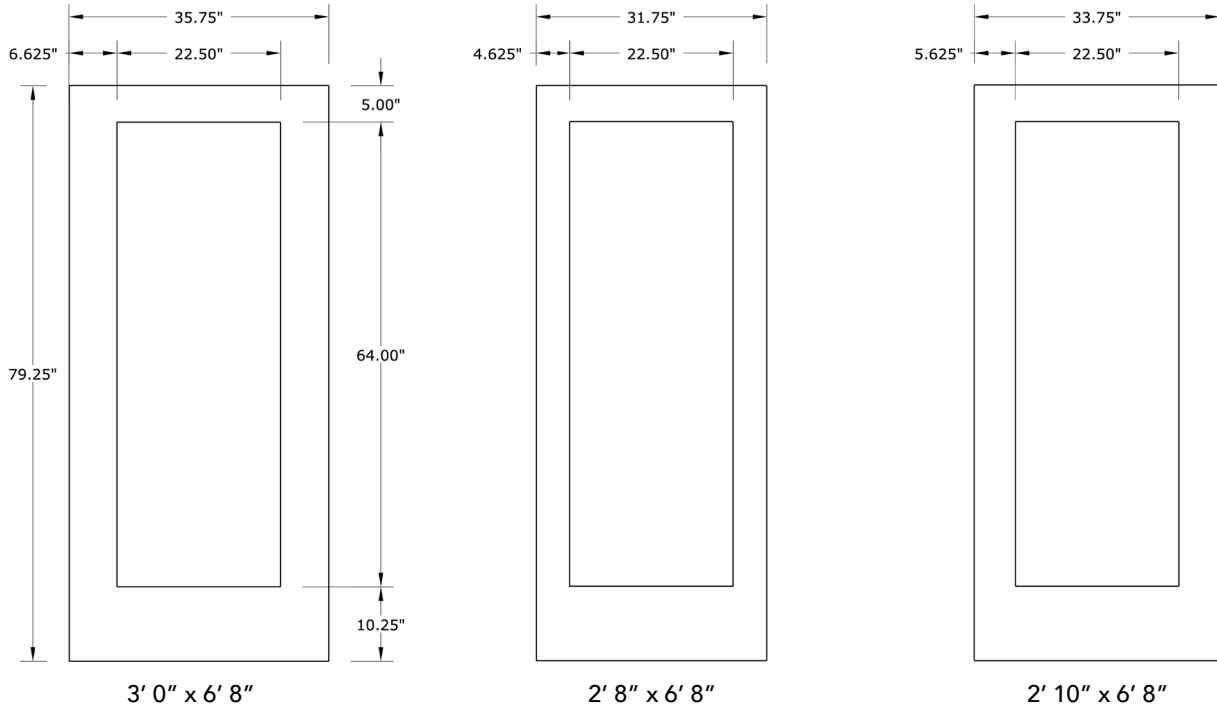
PG 26 - 49

6'8" DRS/F1K ONE PANEL DOOR

SMOOTH & FIR

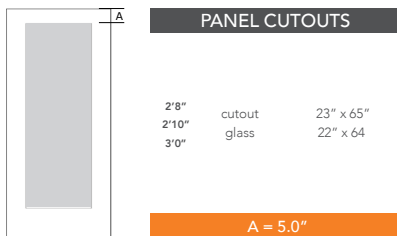
SHAKER PROFILE

AVAILABLE SIZING



NOTE: BY REQUEST, DOOR HEIGHT COMES IN VARYING DIMENSIONS TO A MINIMUM OF 79". EXCESS WILL BE TAKEN FROM BOTTOM RAIL. ALL OTHER DIMENSIONS WILL REMAIN THE SAME.

CUTOUTS & GLASS

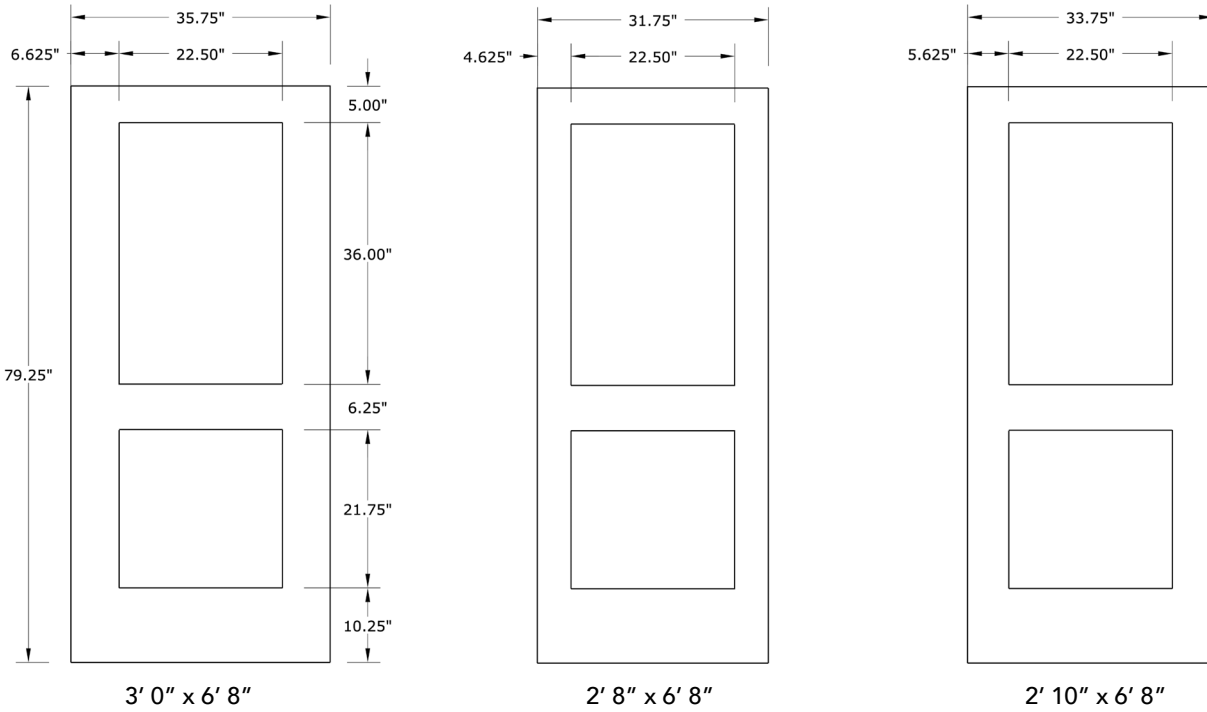


NOTE: PLASTPRO DOES NOT PROVIDE PRE-CUT CONFIGURATION SERVICE FOR THIS DOOR

6'8" DRS/F2K TWO PANEL DOOR

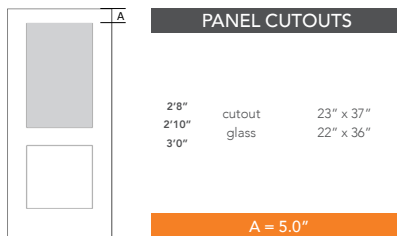
SMOOTH & FIR SHAKER PROFILE

AVAILABLE SIZING



NOTE: BY REQUEST, DOOR HEIGHT COMES IN VARYING DIMENSIONS TO A MINIMUM OF 79". EXCESS WILL BE TAKEN FROM BOTTOM RAIL. ALL OTHER DIMENSIONS WILL REMAIN THE SAME.

CUTOUTS & GLASS



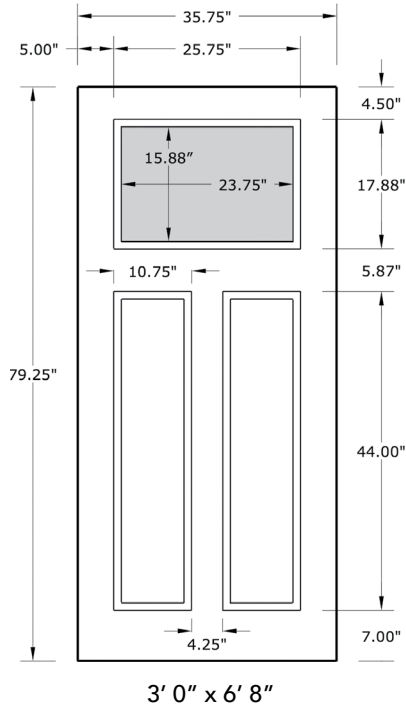
NOTE: PLASTPRO DOES NOT PROVIDE PRE-CUT CONFIGURATION SERVICE FOR THIS DOOR. ADD-IN LITE FRAME AVAILABLE IN SOLUTION DOORLITE SERIES.

6'8" DRS/F3C DIRECT GLAZED CRAFTSMAN

SMOOTH & FIR

OVOLO PROFILE

AVAILABLE SIZING



NOTE: BY REQUEST, DOOR HEIGHT COMES IN VARYING DIMENSIONS TO A MINIMUM OF 79". EXCESS WILL BE TAKEN FROM BOTTOM RAIL. ALL OTHER DIMENSIONS WILL REMAIN THE SAME.

MATCHING SIDELITES



SLS/FDC

Available Widths:

- 1' 0"
- 1' 2"

Spec Page = 36



SLS/F3C

Available Widths:

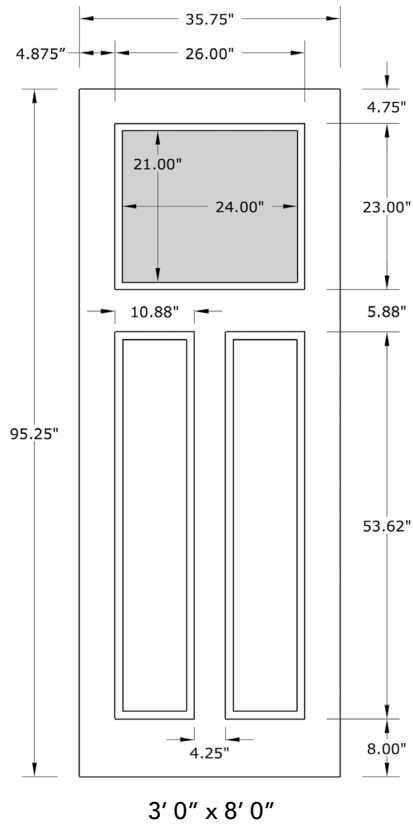
- 1' 0"
- 1' 2"

Spec Page = 37

8'0" DRS/F3C80 DIRECT GLAZED CRAFTSMAN

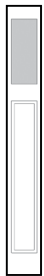
SMOOTH & FIR OVOLO PROFILE

AVAILABLE SIZING



NOTE: BY REQUEST, DOOR HEIGHT COMES IN VARYING DIMENSIONS TO A MINIMUM OF 95". EXCESS WILL BE TAKEN FROM BOTTOM RAIL. ALL OTHER DIMENSIONS WILL REMAIN THE SAME.

MATCHING SIDELITES



SLS/F3C80

Available Widths:

1' 0"

1' 2"

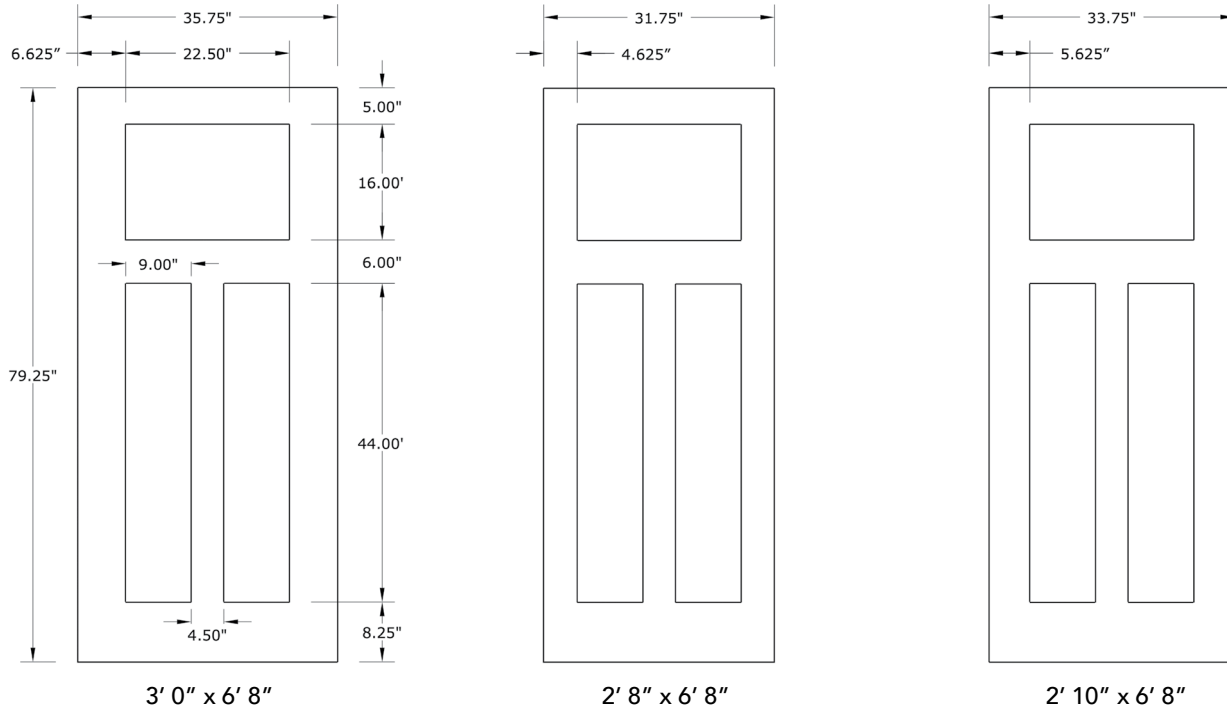
Spec Page = 38

6'8" DRS/F3F THREE PANEL CRAFTSMAN

SMOOTH & FIR

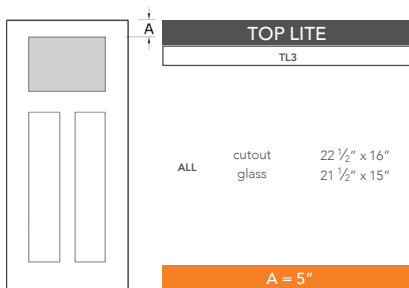
SHAKER PROFILE

AVAILABLE SIZING



NOTE: BY REQUEST, DOOR HEIGHT COMES IN VARYING DIMENSIONS TO A MINIMUM OF 79". EXCESS WILL BE TAKEN FROM BOTTOM RAIL. ALL OTHER DIMENSIONS WILL REMAIN THE SAME.

CUTOUTS & GLASS



NOTE: PLASTPRO DOES NOT PROVIDE PRE-CUT CONFIGURATION SERVICE FOR THIS DOOR. ADD-IN LITE FRAME AVAILABLE IN SOLUTION DOORLITE SERIES.

MATCHING SIDELITES



SLS/F3FL

Available Widths:
1' 0"
1' 2"

Spec Page = 39



SLS/F3S

Available Widths:
1' 0"
1' 2"

Spec Page = 40



SLS/F3SL

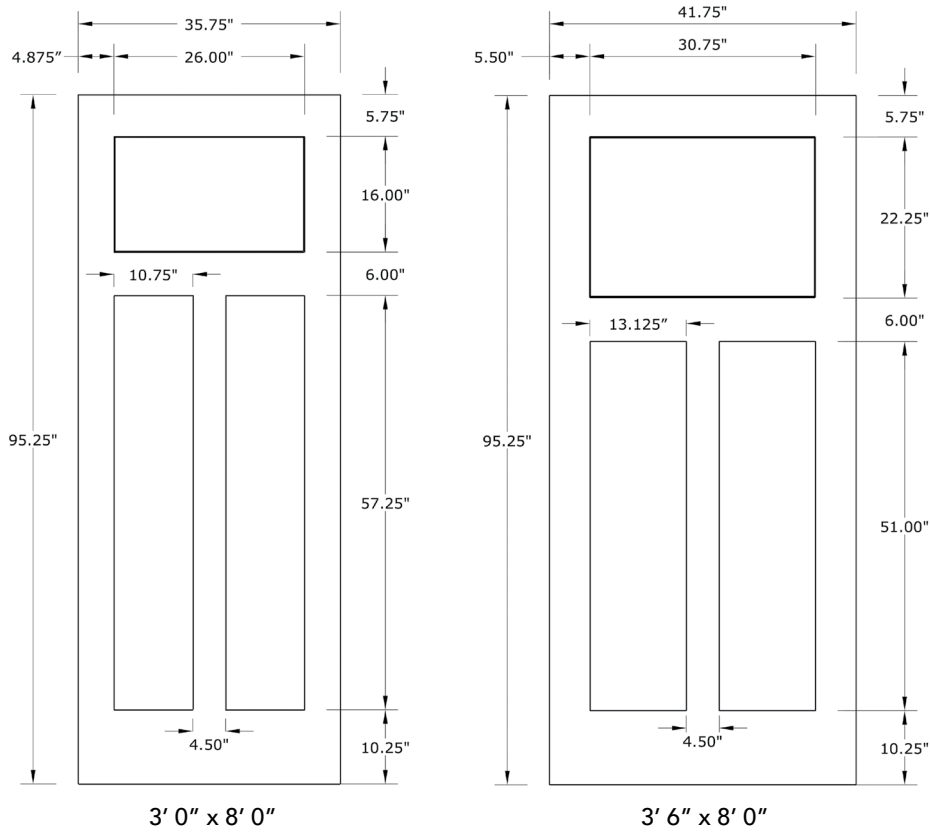
Available Widths:
1' 0"
1' 2"

Spec Page = 41

8'0" DRS/F3F80 THREE PANEL CRAFTSMAN

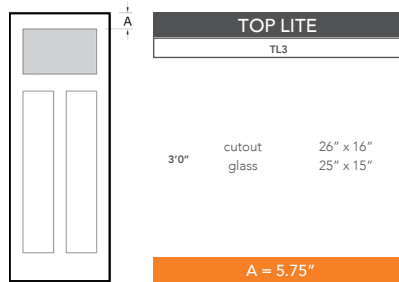
SMOOTH & FIR SHAKER PROFILE

AVAILABLE SIZING



NOTE: BY REQUEST, DOOR HEIGHT COMES IN VARYING DIMENSIONS TO A MINIMUM OF 95". EXCESS WILL BE TAKEN FROM BOTTOM RAIL. ALL OTHER DIMENSIONS WILL REMAIN THE SAME.

CUTOUTS & GLASS



A = DISTANCE FROM TOP OF DOOR TO TOP OF CUTOUT

NOTE: PLASTPRO DOES NOT PROVIDE PRE-CUT CONFIGURATION SERVICE FOR THIS DOOR.

MATCHING SIDELITES

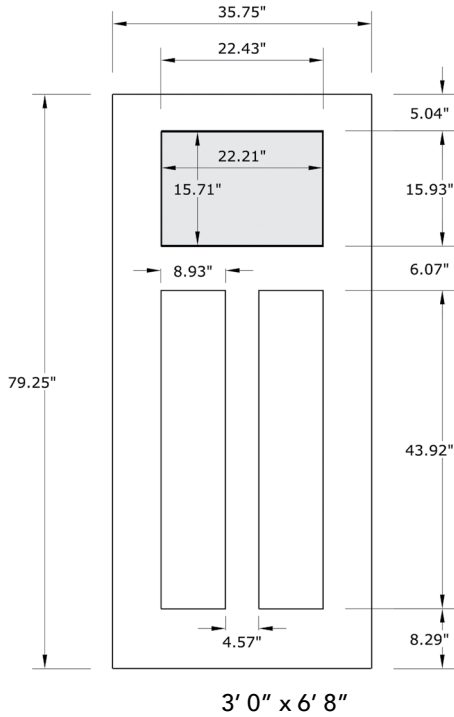


6'8" DRS/F3SL DIRECT GLAZED CRAFTSMAN

SMOOTH & FIR

SHAKER PROFILE

AVAILABLE SIZING



NOTE: BY REQUEST, DOOR HEIGHT COMES IN VARYING DIMENSIONS TO A MINIMUM OF 79". EXCESS WILL BE TAKEN FROM BOTTOM RAIL. ALL OTHER DIMENSIONS WILL REMAIN THE SAME.

CUTOUTS & GLASS

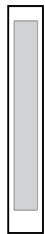


SLS/F3SL

Available Widths:

- 1' 0"
- 1' 2"

Spec Page = 41



SLS/F3FL

Available Widths:

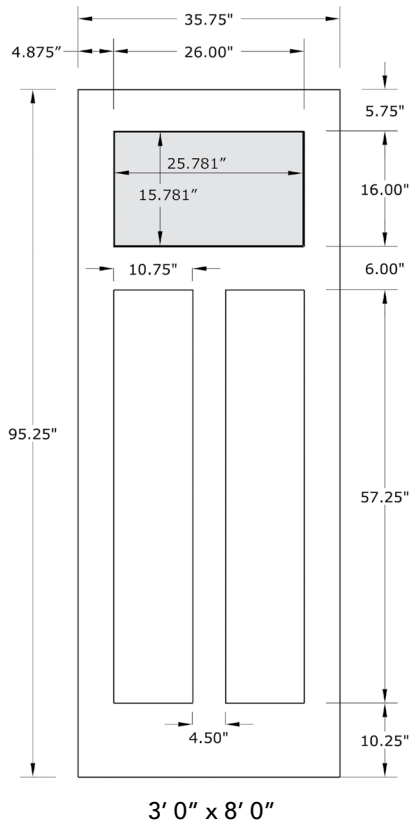
- 1' 0"
- 1' 2"

Spec Page = 39

8'0" DRS/F3S80L* DIRECT GLAZED CRAFTSMAN

SMOOTH & FIR SHAKER PROFILE

AVAILABLE SIZING



NOTE: BY REQUEST, DOOR HEIGHT COMES IN VARYING DIMENSIONS TO A MINIMUM OF 95". EXCESS WILL BE TAKEN FROM BOTTOM RAIL. ALL OTHER DIMENSIONS WILL REMAIN THE SAME.

MATCHING SIDELITES



SLS/F3S80L (Coming Soon)

Available Widths:

1' 0"

1' 2"

Spec Page = 43

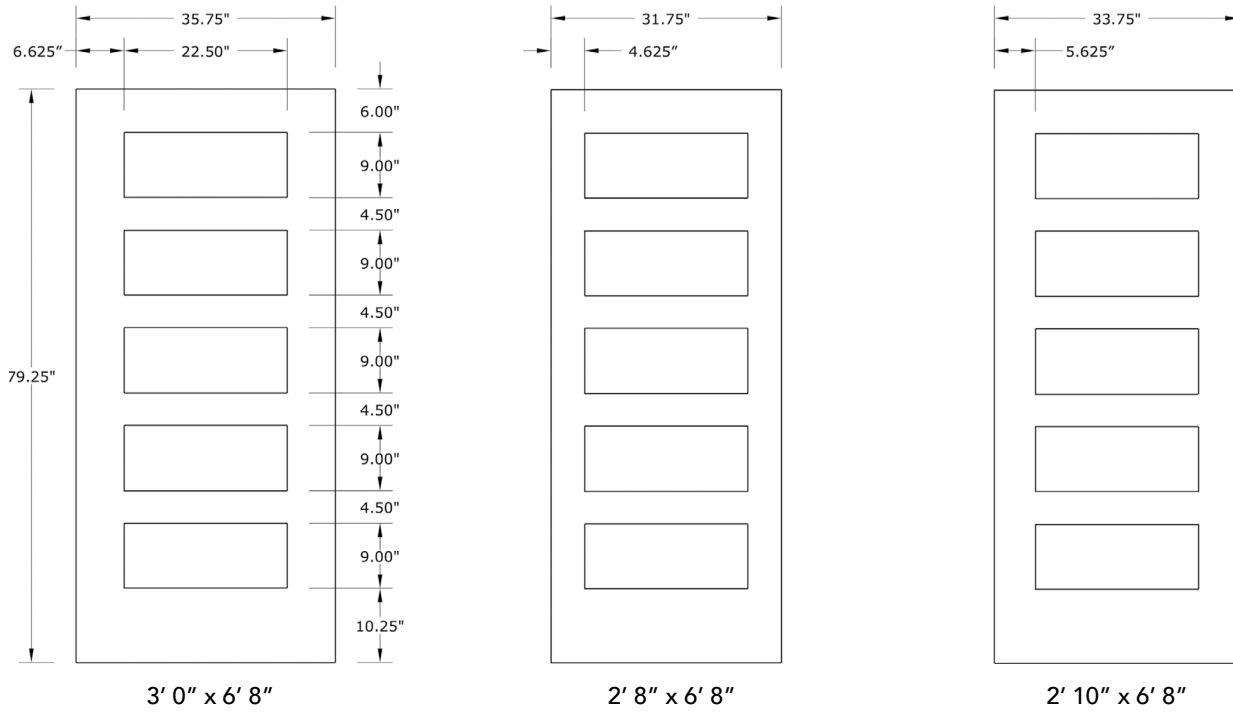
* COMING SOON, PLEASE CALL FOR AVAILABILITY

6'8" DRS/F50 FIVE PANEL DOOR

SMOOTH & FIR

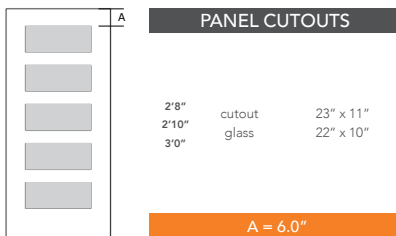
SHAKER PROFILE

AVAILABLE SIZING



NOTE: BY REQUEST, DOOR HEIGHT COMES IN VARYING DIMENSIONS TO A MINIMUM OF 79". EXCESS WILL BE TAKEN FROM BOTTOM RAIL. ALL OTHER DIMENSIONS WILL REMAIN THE SAME.

CUTOUTS & GLASS

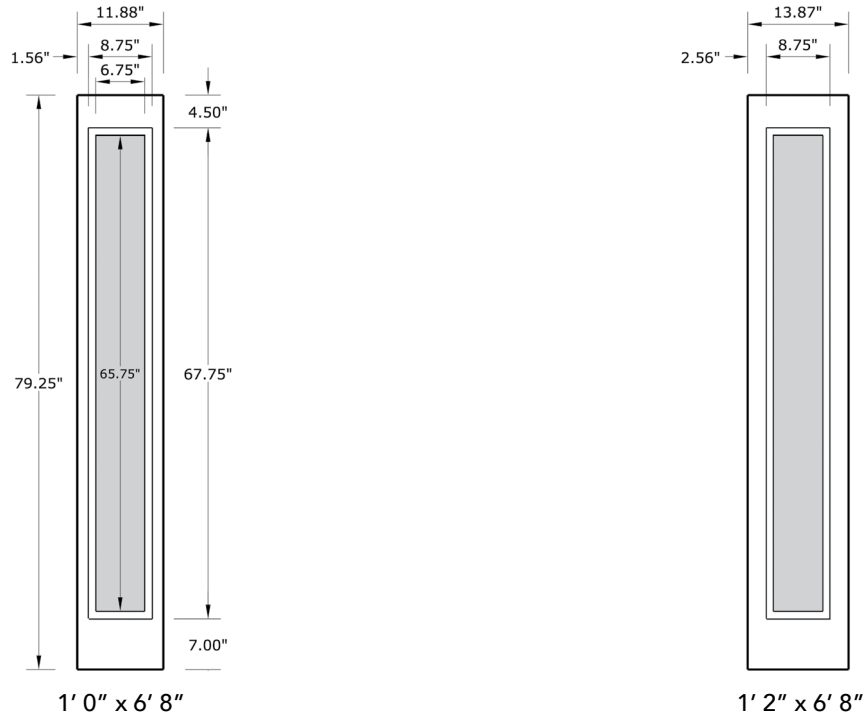


NOTE: PLASTPRO DOES NOT PROVIDE PRE-CUT CONFIGURATION SERVICE FOR THIS DOOR. ADD-IN LITE FRAME AVAILABLE IN SOLUTION SERIES.

6'8" SLS/FDC DIRECT GLAZED FULL LITE SIDELITE

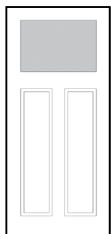
SMOOTH & FIR OVOLO PROFILE

AVAILABLE SIZING



NOTE: BY REQUEST, SIDELITE HEIGHT COMES IN VARYING DIMENSIONS TO A MINIMUM OF 79". EXCESS WILL BE TAKEN FROM BOTTOM RAIL. ALL OTHER DIMENSIONS WILL REMAIN THE SAME.

MATCHING DOOR



DRS/F3C

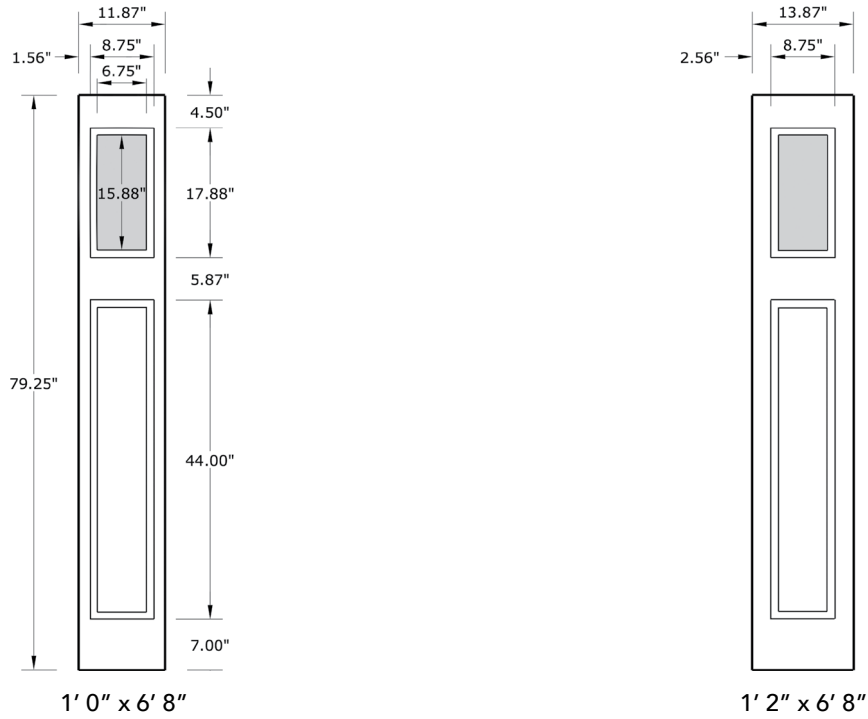
Available Widths:
3' 0"

Spec Page = 29

6'8" SLS/F3C DIRECT GLAZED TOP LITE SIDELITE

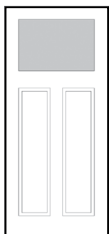
SMOOTH & FIR OVOLO PROFILE

AVAILABLE SIZING



NOTE: BY REQUEST, SIDELITE HEIGHT COMES IN VARYING DIMENSIONS TO A MINIMUM OF 79". EXCESS WILL BE TAKEN FROM BOTTOM RAIL. ALL OTHER DIMENSIONS WILL REMAIN THE SAME.

MATCHING DOOR



DRS/F3C

Available Widths:
3' 0"

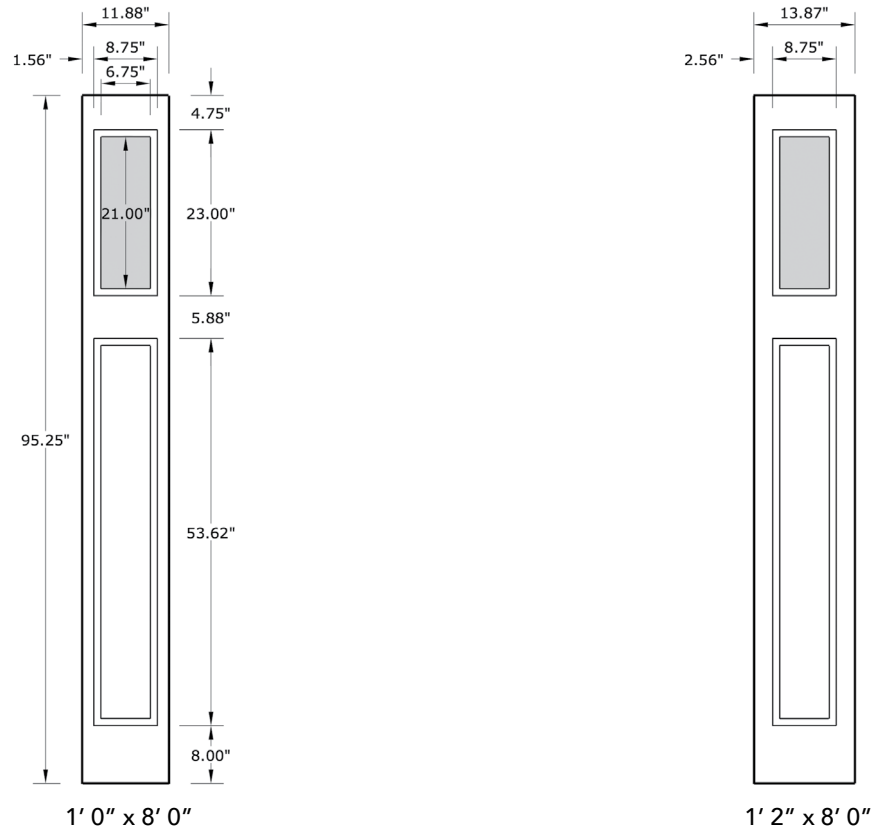
Spec Page = 29

8'0" SLS/F3C80 DIRECT GLAZED TOP LITE SIDELITE

SMOOTH & FIR

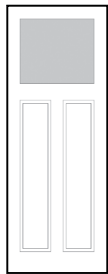
OVOLO PROFILE

AVAILABLE SIZING



NOTE: BY REQUEST, SIDELITE HEIGHT COMES IN VARYING DIMENSIONS TO A MINIMUM OF 95". EXCESS WILL BE TAKEN FROM BOTTOM RAIL. ALL OTHER DIMENSIONS WILL REMAIN THE SAME.

MATCHING DOOR



DRS/F3C80

Available Widths:
3' 0"

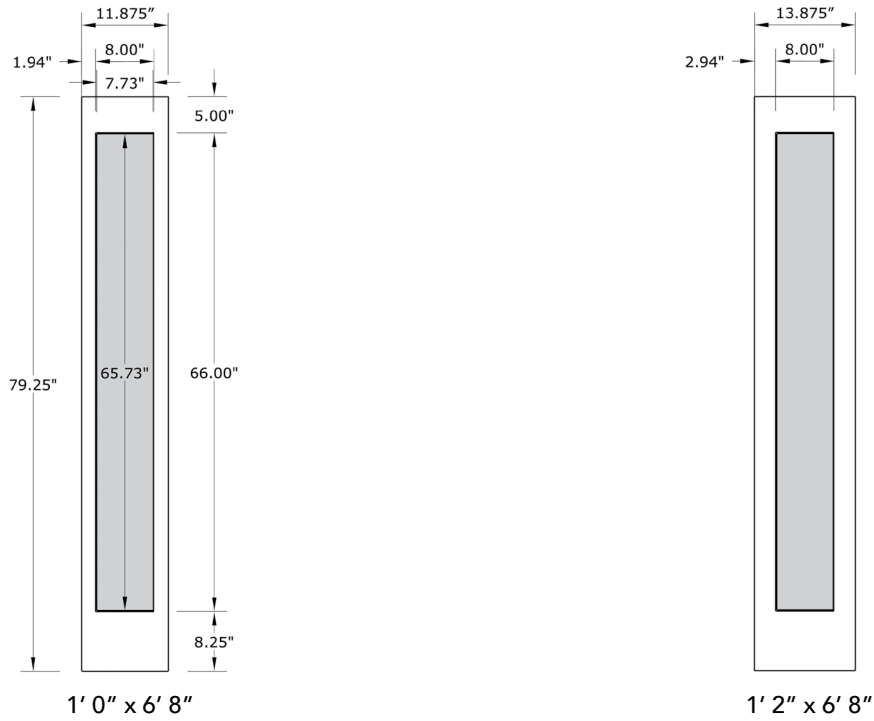
Spec Page = 30

6'8" SLS/F3F DIRECT GLAZED FULL LITE SIDELITE

SMOOTH & FIR

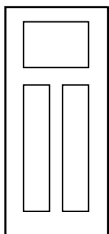
SHAKER PROFILE

AVAILABLE SIZING



NOTE: BY REQUEST, SIDELITE HEIGHT COMES IN VARYING DIMENSIONS TO A MINIMUM OF 79". EXCESS WILL BE TAKEN FROM BOTTOM RAIL. ALL OTHER DIMENSIONS WILL REMAIN THE SAME.

MATCHING DOOR

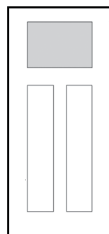


DRS/F3F

Available Widths:

- 2' 8"
- 2' 10"
- 3' 0"

Spec Page = 31



DRS/F3S

Available Widths:

- 2' 8"
- 2' 10"
- 3' 0"

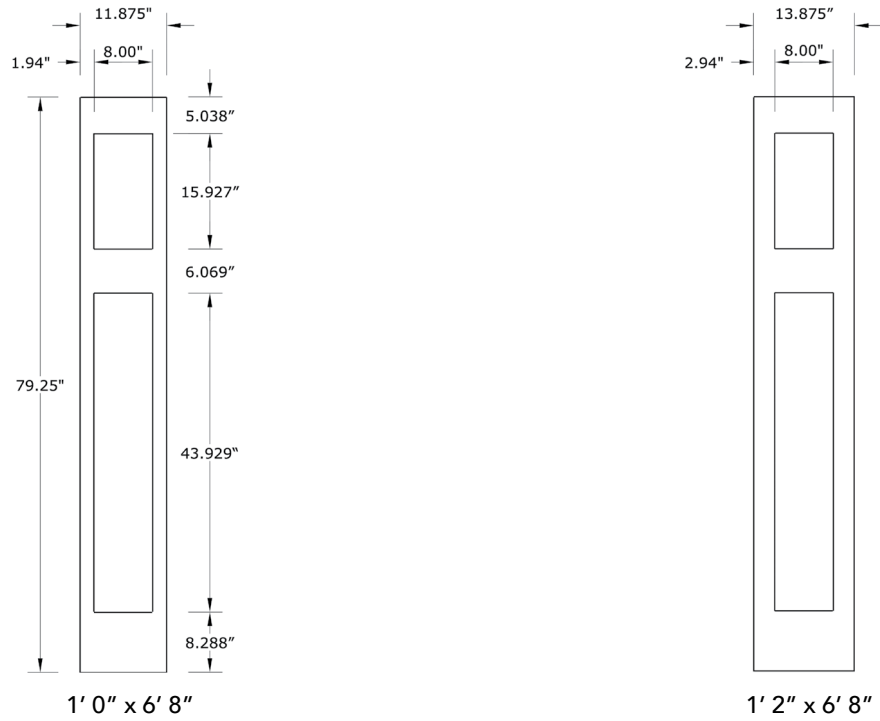
Spec Page = 33

6'8" SLS/F3S THREE PANEL SIDELITE

SMOOTH & FIR

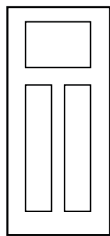
SHAKER PROFILE

AVAILABLE SIZING



NOTE: BY REQUEST, SIDELITE HEIGHT COMES IN VARYING DIMENSIONS TO A MINIMUM OF 79". EXCESS WILL BE TAKEN FROM BOTTOM RAIL. ALL OTHER DIMENSIONS WILL REMAIN THE SAME.

MATCHING DOORS

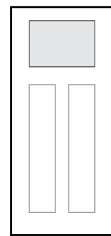


DRS/F3F

Available Widths:

- 2' 8"
- 2' 10"
- 3' 0"

Spec Page = 31



DRS/F3S

Available Widths:

- 2' 8"
- 2' 10"
- 3' 0"

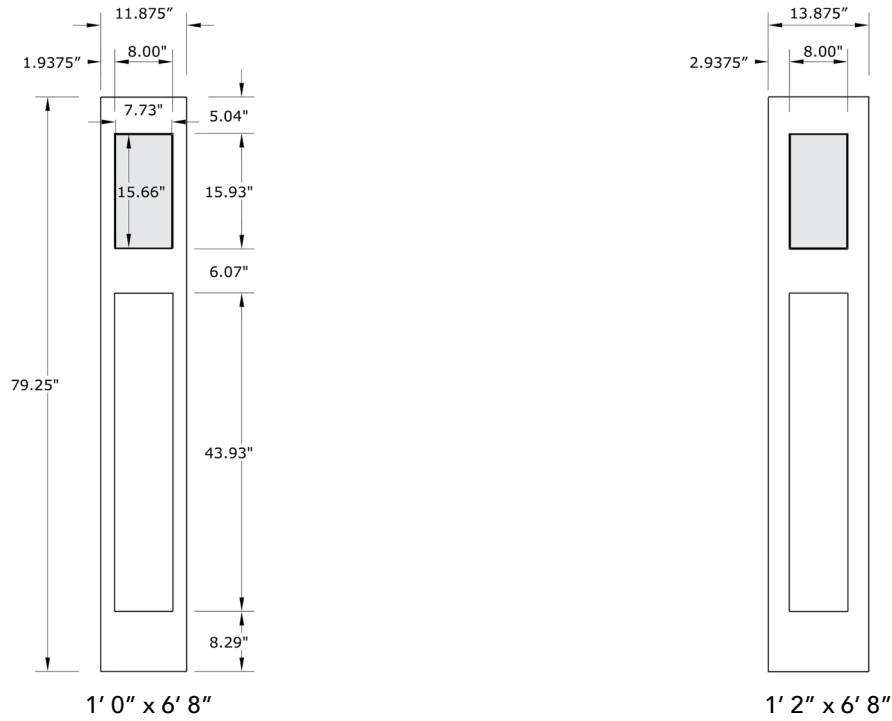
Spec Page = 33

6'8" SLS/F3SL DIRECT GLAZED TOP LITE SIDELITE

SMOOTH & FIR

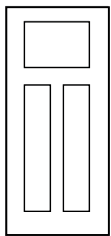
SHAKER PROFILE

AVAILABLE SIZING



NOTE: BY REQUEST, SIDELITE HEIGHT COMES IN VARYING DIMENSIONS TO A MINIMUM OF 79". EXCESS WILL BE TAKEN FROM BOTTOM RAIL. ALL OTHER DIMENSIONS WILL REMAIN THE SAME.

MATCHING DOORS

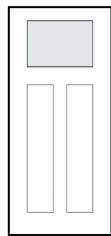


DRS/F3F

Available Widths:

- 2' 8"
- 2' 10"
- 3' 0"

Spec Page = 31



DRS/F3S

Available Widths:

- 2' 8"
- 2' 10"
- 3' 0"

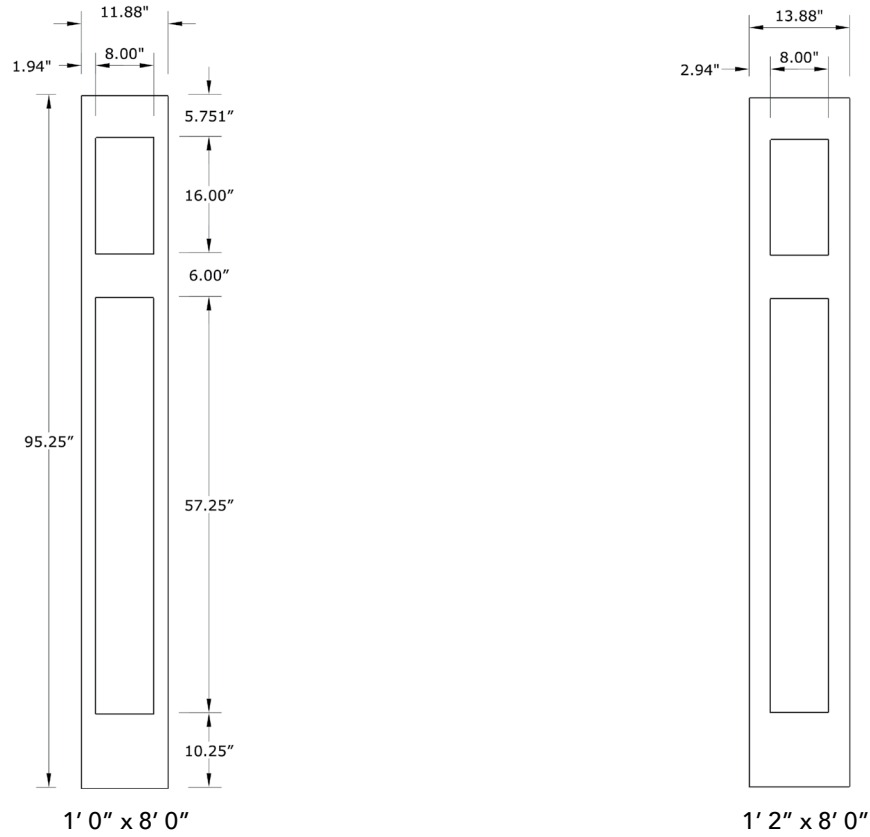
Spec Page = 33

8'0" SLS/F3S80 THREE PANEL SIDELITE

SMOOTH & FIR

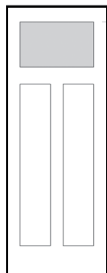
SHAKER PROFILE

AVAILABLE SIZING



NOTE: BY REQUEST, SIDELITE HEIGHT COMES IN VARYING DIMENSIONS TO A MINIMUM OF 95". EXCESS WILL BE TAKEN FROM BOTTOM RAIL. ALL OTHER DIMENSIONS WILL REMAIN THE SAME.

MATCHING DOORS



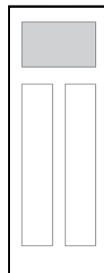
DRS/F3F80

Available Widths:

3'0"

NOTE: DOES NOT MATCH WITH 3'6" x 8'0"

Spec Page = 32



DRS/F3S80L

Available Widths:

3'0"

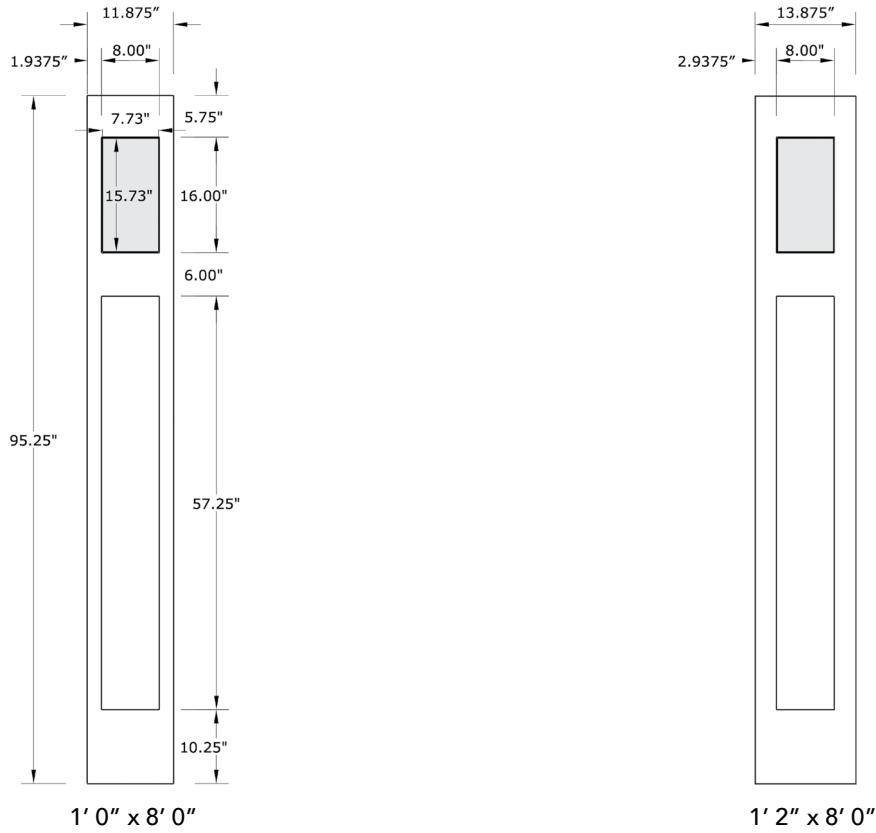
Spec Page = 34

8'0" SLS/F3S80L* DIRECT GLAZED TOP LITE SIDELITE

SMOOTH & FIR

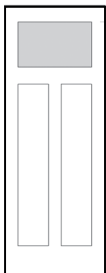
SHAKER PROFILE

AVAILABLE SIZING



NOTE: BY REQUEST, SIDELITE HEIGHT COMES IN VARYING DIMENSIONS TO A MINIMUM OF 95". EXCESS WILL BE TAKEN FROM BOTTOM RAIL. ALL OTHER DIMENSIONS WILL REMAIN THE SAME.

MATCHING DOORS



DRS/F3S80L (Coming Soon)

Available Widths:
3'0"

Spec Page = 34

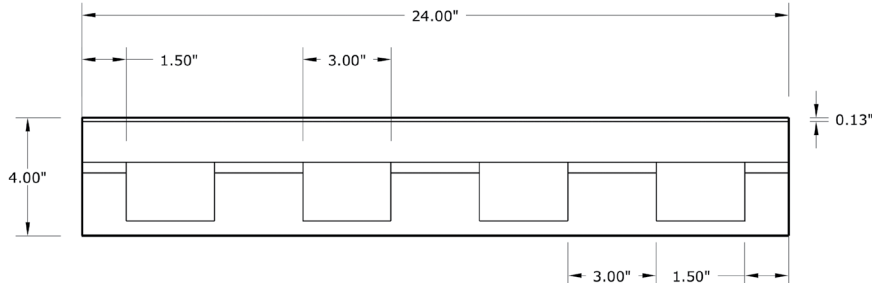
* COMING SOON, PLEASE CALL FOR AVAILABILITY

DENTIL SHELVES

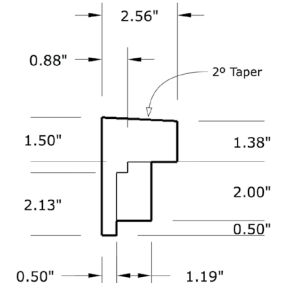
SMOOTH & FIR

ACCESSORY DIMENSIONS

ACDSSW2404 / ACDSFT2404 4 BLOCK DENTIL SHELF SMOOTH & FIR



Front Profile



Side Profile

ACCESSORY INFO

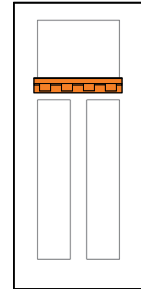
Parts Per Set: 1

4 Block Dentil Shelf

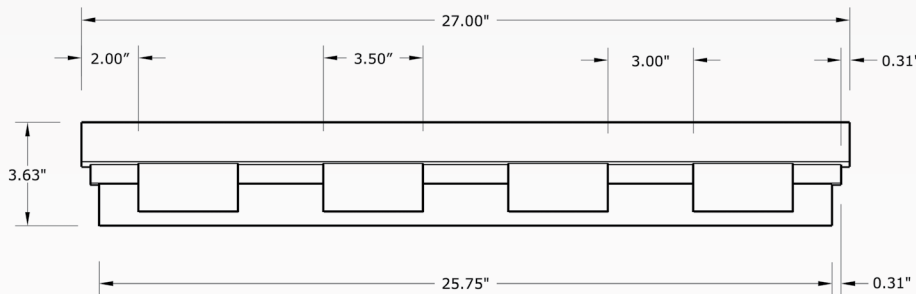
Matching Doors:

DRS/F3F | *Spec Page 31*

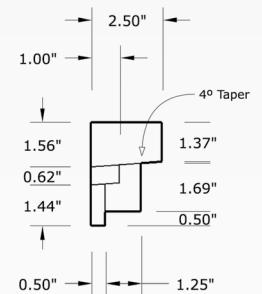
DRS/F3S | *Spec Page 33*



ACDSFT2704 4 BLOCK DENTIL SHELF FIR



Front Profile



Side Profile

ACCESSORY INFO

Parts Per Set: 1

4 Block Dentil Shelf

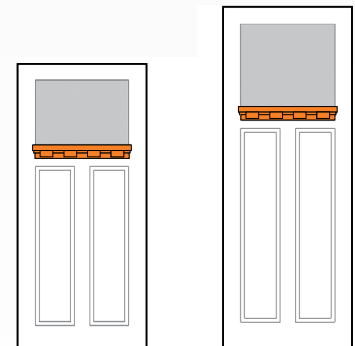
Matching Doors:

DRF3C | *Spec Page 29*

DRF3C80 | *Spec Page 30*

DRF3F80 | *Spec Page 32*

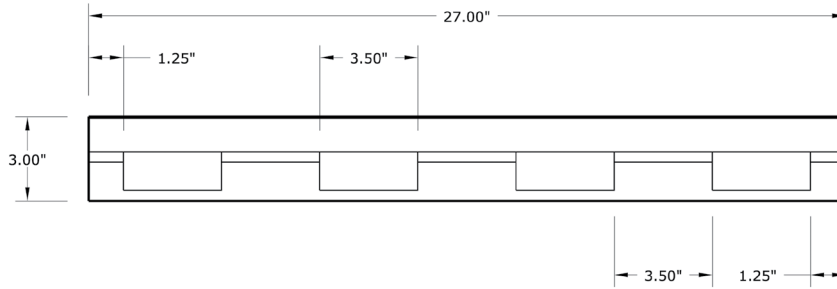
DRF3S80L | *Spec Page 30*



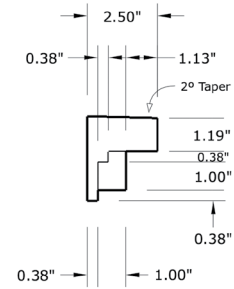
DENTIL SHELVES

ACCESSORY DIMENSIONS

ACDSSW2704 4 BLOCK DENTIL SHELF SMOOTH



Front Profile



Side Profile

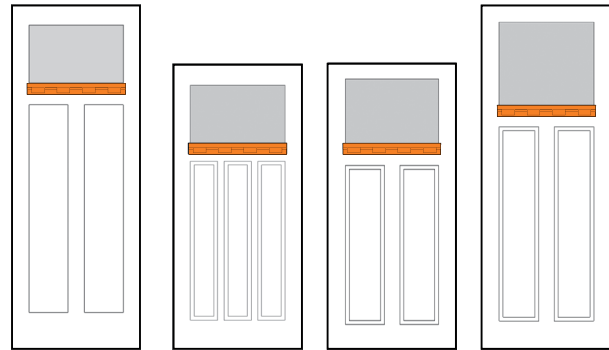
ACCESSORY INFO

Parts Per Set: 1

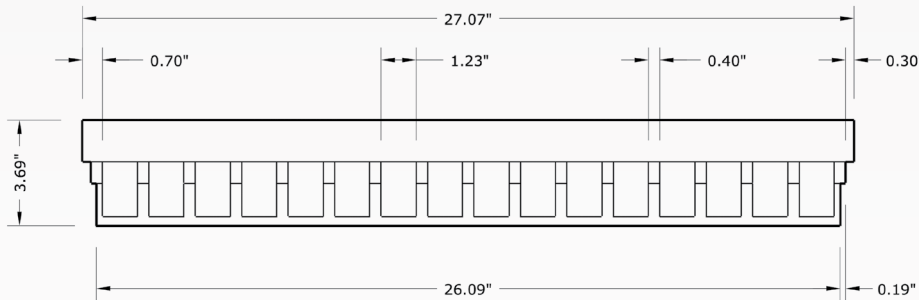
4 Block Dentil Shelf

Matching Doors:

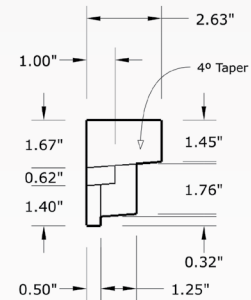
- DRS3C | *Spec Page 29*
- DRS3C80 | *Spec Page 30*
- DRS6C | *Spec Page 155*
- DRS3F80 | *Spec Page 32 (8'0" Only)*
- DRS3S80L | *Spec Page 34*



ACDSSW2716 16 BLOCK DENTIL SHELF SMOOTH



Front Profile



Side Profile

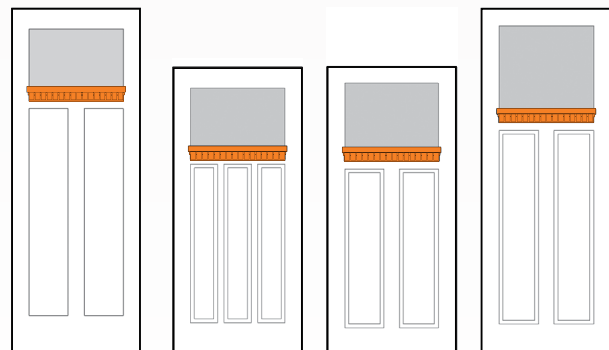
ACCESSORY INFO

Parts Per Set: 1

16 Block Dentil Shelf

Matching Doors:

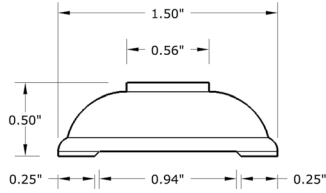
- DRS3C | *Spec Page 29*
- DRS3C80 | *Spec Page 30*
- DRS6C | *Spec Page 155*
- DRS3F80 | *Spec Page 32 (8'0" Only)*
- DRS3S80L | *Spec Page 34*



SDL BARS SIMULATED DIVIDED LITES

SMOOTH & FIR

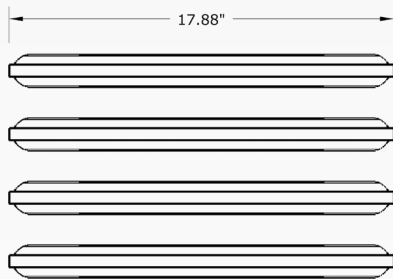
ACCESSORY DIMENSIONS



SDL BAR SIDE PROFILE

ACSDF23001 3-LITE FOR 6'8" FIR DOOR

ACSDW23005 3-LITE FOR 6'8" SMOOTH DOOR



ACCESSORY INFO

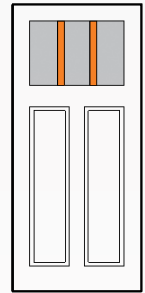
Pieces Per Set: 4

17 1/8" SDL Bars (4 pcs.)

Matching Doors:

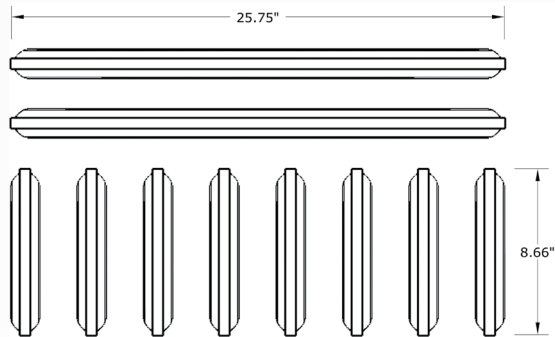
DRF3C G000 | *Spec Page 29*

DRS3C G000 | *Spec Page 29*



ACSDF23002 6-LITE FOR 6'8" FIR DOOR

ACSDW23006 6-LITE FOR 6'8" SMOOTH DOOR



ACCESSORY INFO

Pieces Per Set: 10

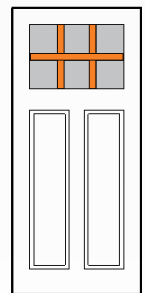
25 3/4" SDL Bars (2 pcs.)

8 21/32" SDL Bars (8 pcs.)

Matching Doors:

DRF3C G000 | *Spec Page 29*

DRS3C G000 | *Spec Page 29*



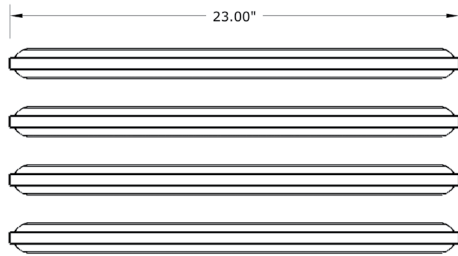
SDL BARS SIMULATED DIVIDED LITES

SMOOTH & FIR

ACCESSORY DIMENSIONS

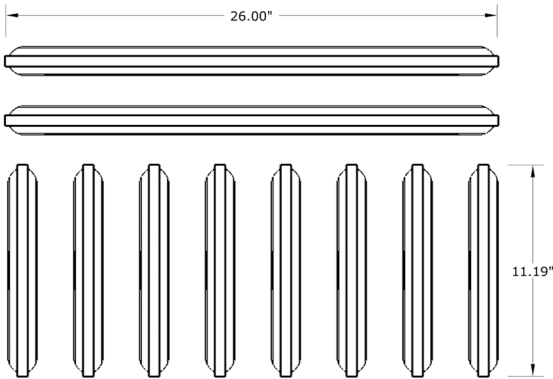
ACSDF23005 3-LITE FOR 8'0" FIR DOOR

ACSDW23001 3-LITE FOR 8'0" SMOOTH DOOR



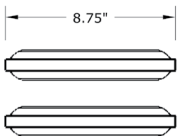
ACSDF23006 6-LITE FOR 8'0" FIR DOOR

ACSDW23002 6-LITE FOR 8'0" SMOOTH DOOR



ACSDF23004 2-LITE FOR 6'8" & 8'0" FIR SIDELITE

ACSDW23004 2-LITE FOR 6'8" & 8'0" SMOOTH SIDELITE



ACCESSORY INFO

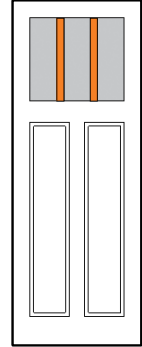
Pieces Per Set: 4

23" SDL Bars (4 pcs.)

Matching Doors:

DRF3C80 G000 | *Spec Page 30*

DRS3C80 G000 | *Spec Page 30*



ACCESSORY INFO

Pieces Per Set: 10

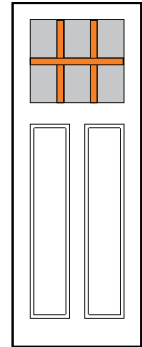
26" SDL Bars (2 pcs.)

11 3/16" SDL Bars (8 pcs.)

Matching Doors:

DRF3C80 G000 | *Spec Page 30*

DRS3C80 G000 | *Spec Page 30*



ACCESSORY INFO

Pieces Per Set: 2

8 3/4" SDL Bars (2 pcs.)

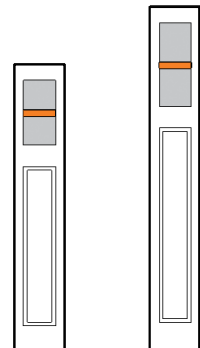
Matching Sidelites:

SLF3C G000 | *Spec Page 37*

SLF3C80 G000 | *Spec Page 39*

SLS3C G000 | *Spec Page 37*

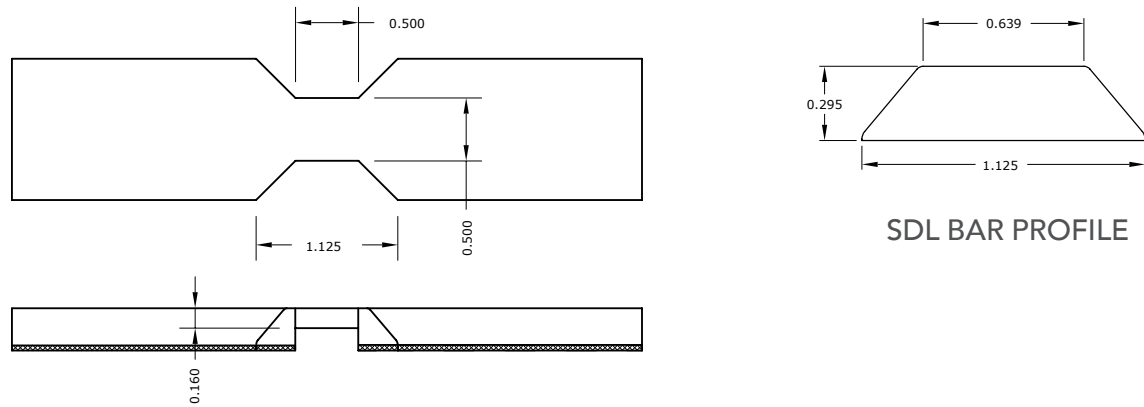
SLS3C80 G000 | *Spec Page 38*



SDL BARS SIMULATED DIVIDED LITES

SMOOTH & FIR

ACCESSORY DIMENSIONS



SDL BAR PROFILE

ACSDF3S680-3L 3-LITE FOR 6'8" FIR DOOR

ACSDS3S680-3L 3-LITE FOR 6'8" SMOOTH DOOR



ACCESSORY INFO

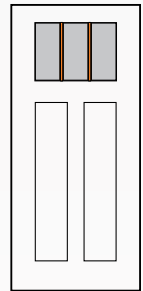
Pieces Per Set: 2

15.87" SDL Bars (2 pcs.)

Matching Doors:

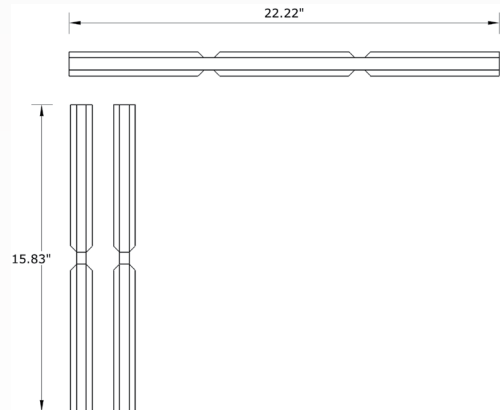
DRF3S | *Spec Page 33*

DRS3S | *Spec Page 33*



ACSDF3S680-6L 6-LITE FOR 6'8" FIR DOOR

ACSDS3S680-6L 6-LITE FOR 6'8" SMOOTH DOOR



ACCESSORY INFO

Pieces Per Set: 3

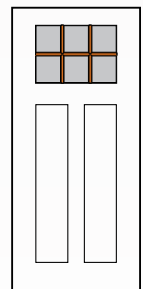
22.22" SDL Bars (1 pcs.)

15.83" SDL Bars (2 pcs.)

Matching Doors:

DRF3S | *Spec Page 33*

DRS3S | *Spec Page 33*



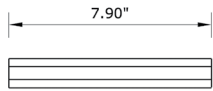
SDL BARS SIMULATED DIVIDED LITES

SMOOTH & FIR

ACCESSORY DIMENSIONS

ACSDF4S6802-2SL 3-LITE FOR 6'8" FIR DOOR

ACSDS3S6802-2SL 3-LITE FOR 6'8" SMOOTH DOOR



ACCESSORY INFO

Pieces Per Set: 1

7.9" SDL Bars (1 pcs.)

Matching Doors:

DRF3S | *Spec Page 41*

DRF3S | *Spec Page 41*





RUSTIC SERIES

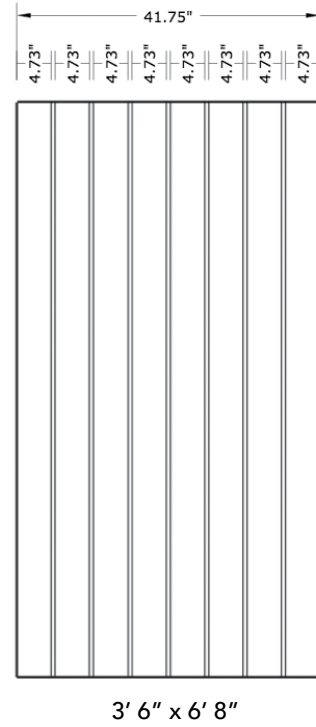
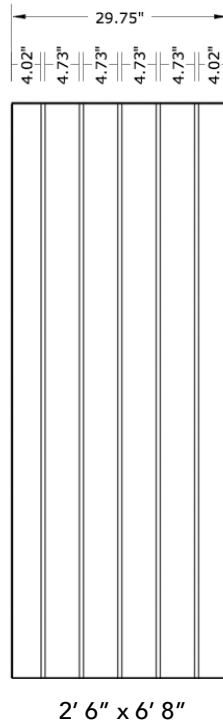
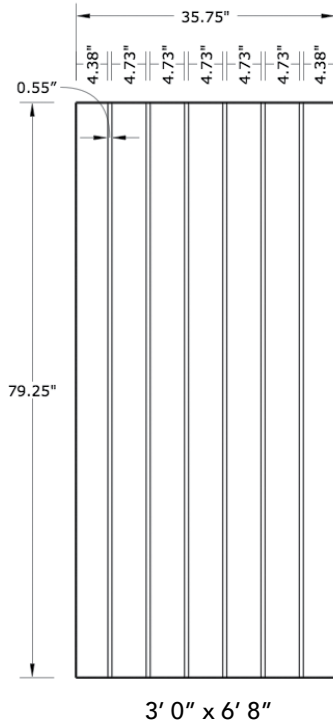
Our line of Rustic Doors were designed to provide classic charm, while bringing traditional, upscale appeal to any home. Doors in the Rustic Series display vertical planks, distinct panel details, and arched and radius tops. The Rustic Series only uses wrought iron glass and rustic accessories to reinforce that mid-century rustic look.

PG 50 - 73

6'8" DRATP TRUE PLANK DOOR

SQUARE TOP

AVAILABLE SIZING

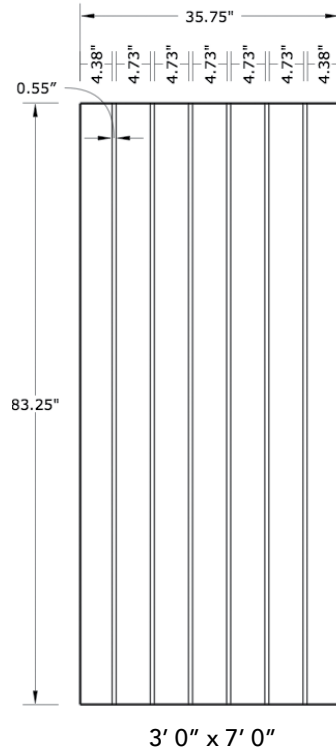


NOTE: BY REQUEST, DOOR HEIGHT COMES IN VARYING DIMENSIONS TO A MINIMUM OF 79". EXCESS WILL BE TAKEN FROM BOTTOM RAIL. ALL OTHER DIMENSIONS WILL REMAIN THE SAME.¹

7'0" DRATP70 TRUE PLANK DOOR

SQUARE TOP

AVAILABLE SIZING

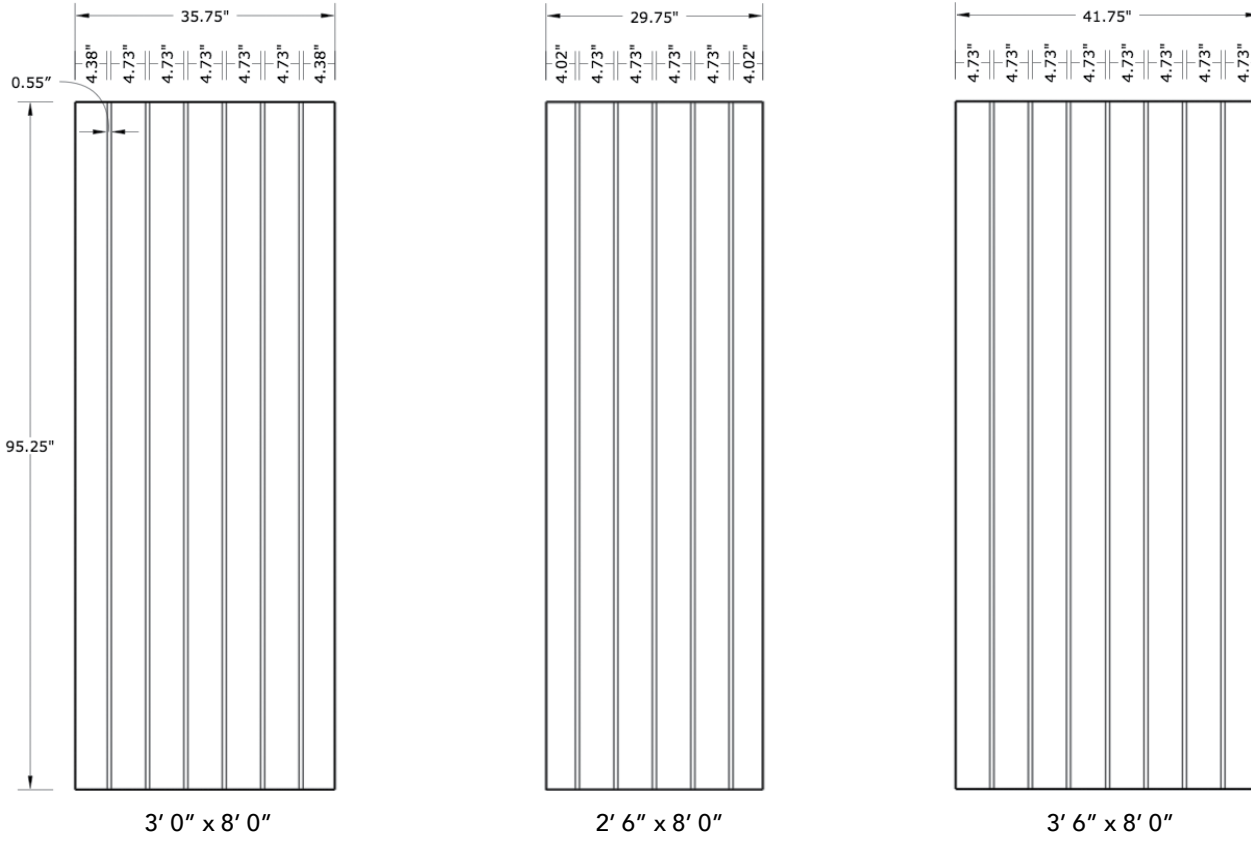


NOTE: BY REQUEST, DOOR HEIGHT COMES IN VARYING DIMENSIONS TO A MINIMUM OF 83". EXCESS WILL BE TAKEN FROM BOTTOM RAIL. ALL OTHER DIMENSIONS WILL REMAIN THE SAME.

8'0" DRATP80 TRUE PLANK DOOR

SQUARE TOP

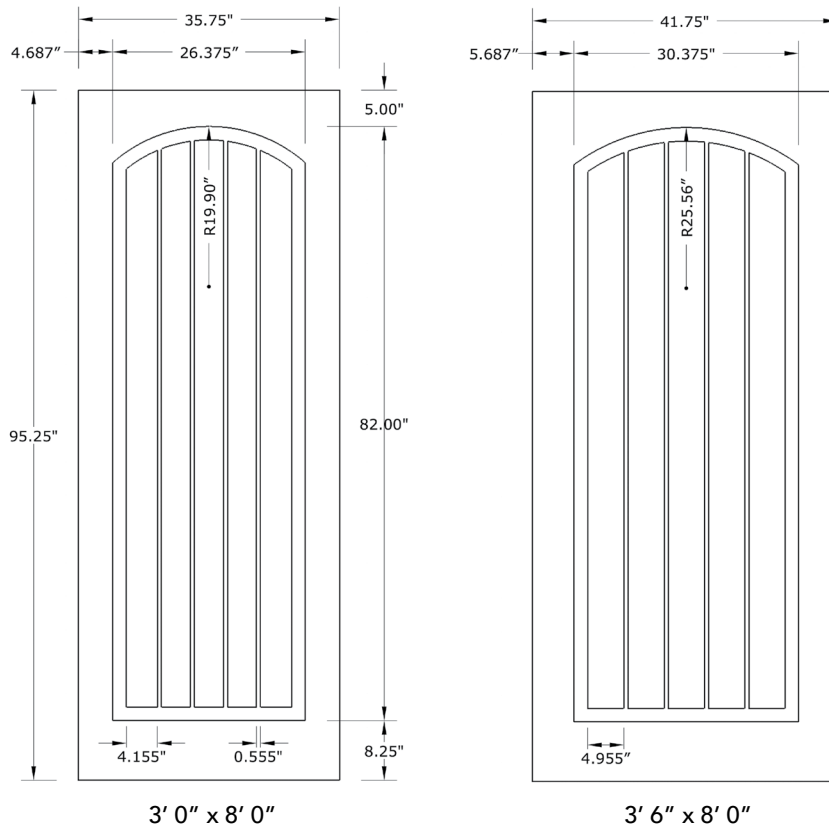
AVAILABLE SIZING



NOTE: BY REQUEST, DOOR HEIGHT COMES IN VARYING DIMENSIONS TO A MINIMUM OF 95". EXCESS WILL BE TAKEN FROM BOTTOM RAIL. ALL OTHER DIMENSIONS WILL REMAIN THE SAME.

8'0" DRA1A80 ONE PANEL DOOR

AVAILABLE SIZING

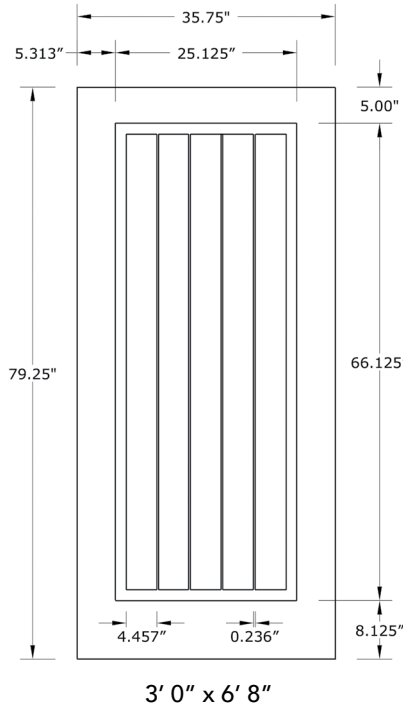


NOTE: BY REQUEST, DOOR HEIGHT COMES IN VARYING DIMENSIONS TO A MINIMUM OF 95". EXCESS WILL BE TAKEN FROM BOTTOM RAIL. ALL OTHER DIMENSIONS WILL REMAIN THE SAME.

6'8" DRA1P ONE PANEL DOOR

SQUARE PLANK & SQUARE TOP

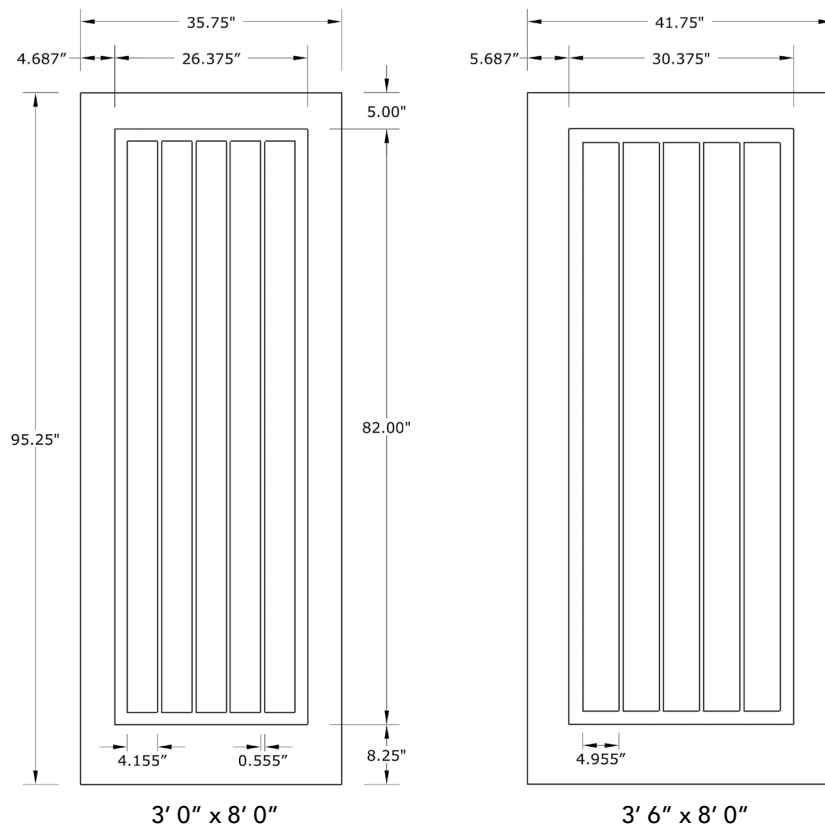
AVAILABLE SIZING



NOTE: BY REQUEST, DOOR HEIGHT COMES IN VARYING DIMENSIONS TO A MINIMUM OF 79". EXCESS WILL BE TAKEN FROM BOTTOM RAIL. ALL OTHER DIMENSIONS WILL REMAIN THE SAME.

8'0" DRA1P80 ONE PANEL DOOR SQUARE PLANK & SQUARE TOP

AVAILABLE SIZING

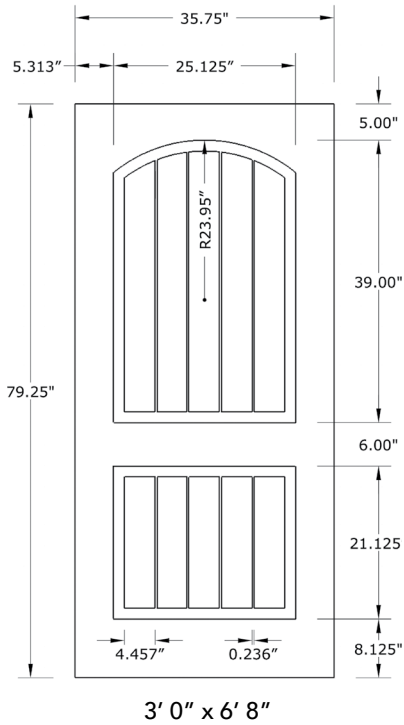


NOTE: BY REQUEST, DOOR HEIGHT COMES IN VARYING DIMENSIONS TO A MINIMUM OF 95". EXCESS WILL BE TAKEN FROM BOTTOM RAIL. ALL OTHER DIMENSIONS WILL REMAIN THE SAME.

6'8" DRA2A TWO PANEL DOOR

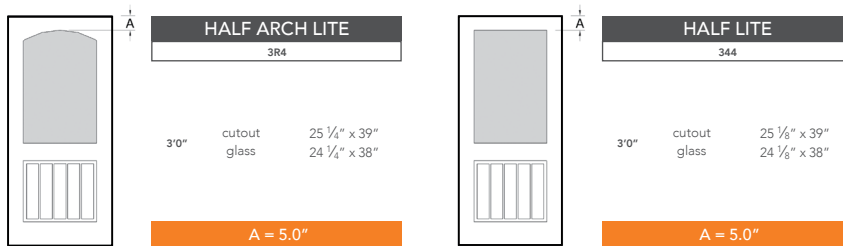
ARCH PLANK & SQUARE TOP

AVAILABLE SIZING



NOTE: BY REQUEST, DOOR HEIGHT COMES IN VARYING DIMENSIONS TO A MINIMUM OF 79". EXCESS WILL BE TAKEN FROM BOTTOM RAIL. ALL OTHER DIMENSIONS WILL REMAIN THE SAME.

CUTOUTS & GLASS

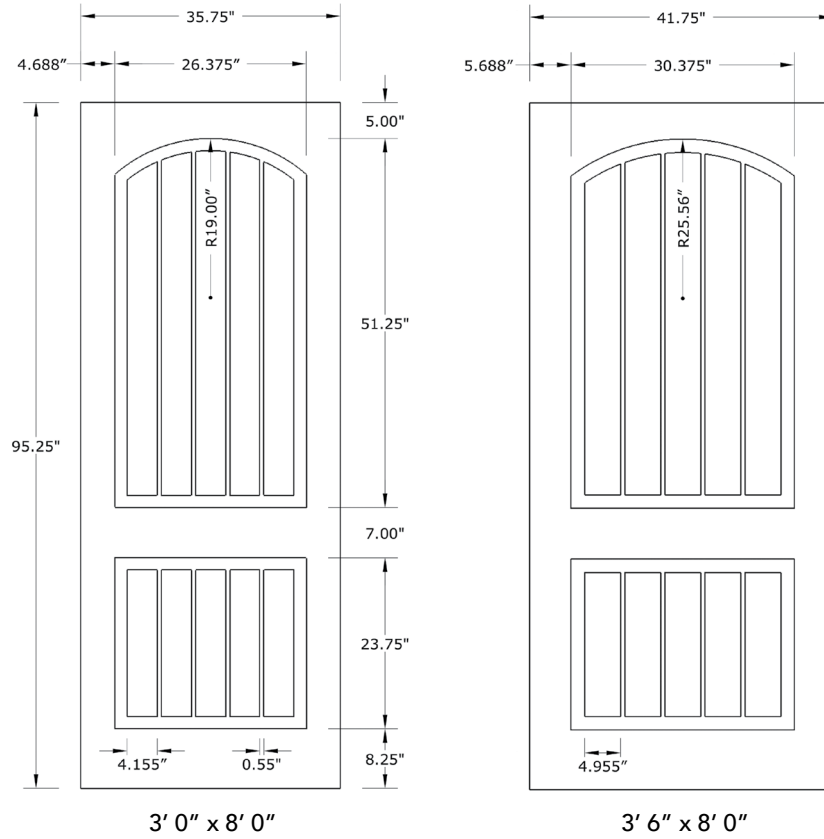


A = DISTANCE FROM TOP OF DOOR TO TOP OF CUTOUT

8'0" DRA2A80 TWO PANEL DOOR

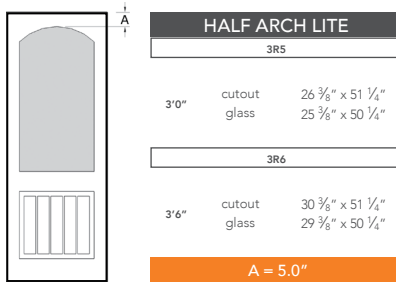
ARCH PLANK & SQUARE TOP

AVAILABLE SIZING



NOTE: BY REQUEST, DOOR HEIGHT COMES IN VARYING DIMENSIONS TO A MINIMUM OF 95". EXCESS WILL BE TAKEN FROM BOTTOM RAIL. ALL OTHER DIMENSIONS WILL REMAIN THE SAME.

CUTOUTS & GLASS

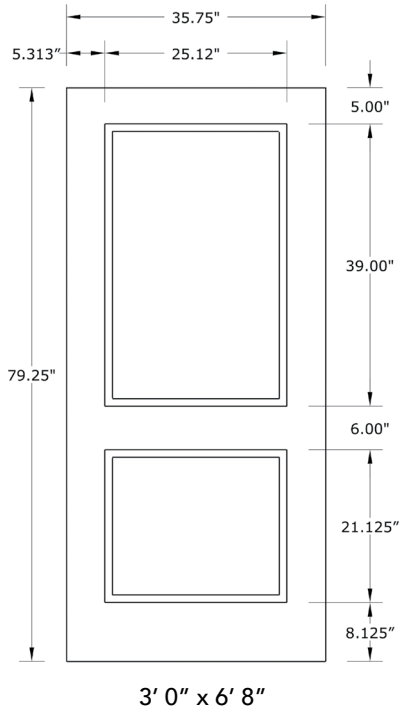


A = DISTANCE FROM TOP OF DOOR TO TOP OF CUTOUT

6'8" DRA2B TWO PANEL DOOR

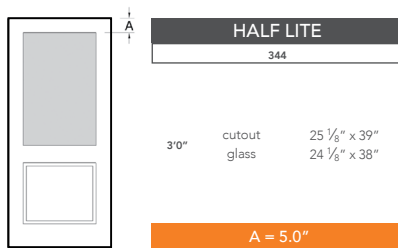
SQUARE PANEL & SQUARE TOP

AVAILABLE SIZING



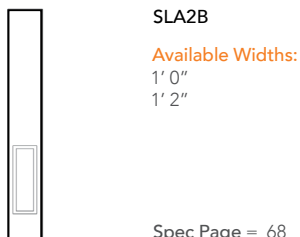
NOTE: BY REQUEST, DOOR HEIGHT COMES IN VARYING DIMENSIONS TO A MINIMUM OF 79". EXCESS WILL BE TAKEN FROM BOTTOM RAIL. ALL OTHER DIMENSIONS WILL REMAIN THE SAME.

CUTOUTS & GLASS



A = DISTANCE FROM TOP OF DOOR TO TOP OF CUTOUT

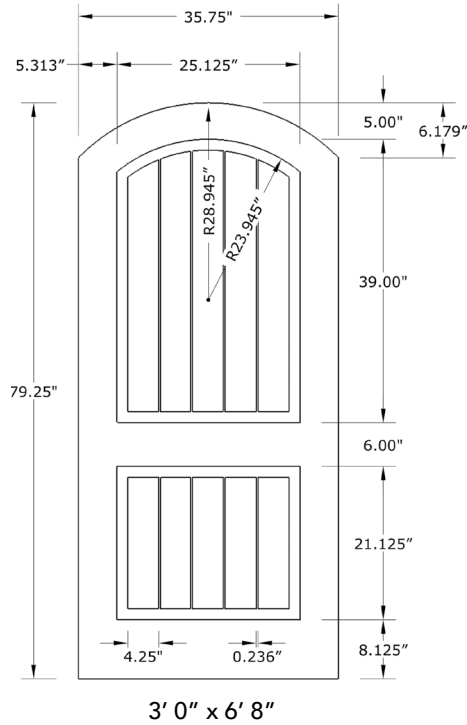
MATCHING SIDELITES



6'8" DRA2C TWO PANEL DOOR

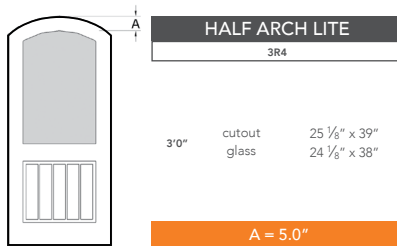
ARCH PLANK & ARCH TOP

AVAILABLE SIZING



NOTE: BY REQUEST, DOOR HEIGHT COMES IN VARYING DIMENSIONS TO A MINIMUM OF 79". EXCESS WILL BE TAKEN FROM BOTTOM RAIL. ALL OTHER DIMENSIONS WILL REMAIN THE SAME.

CUTOUTS & GLASS

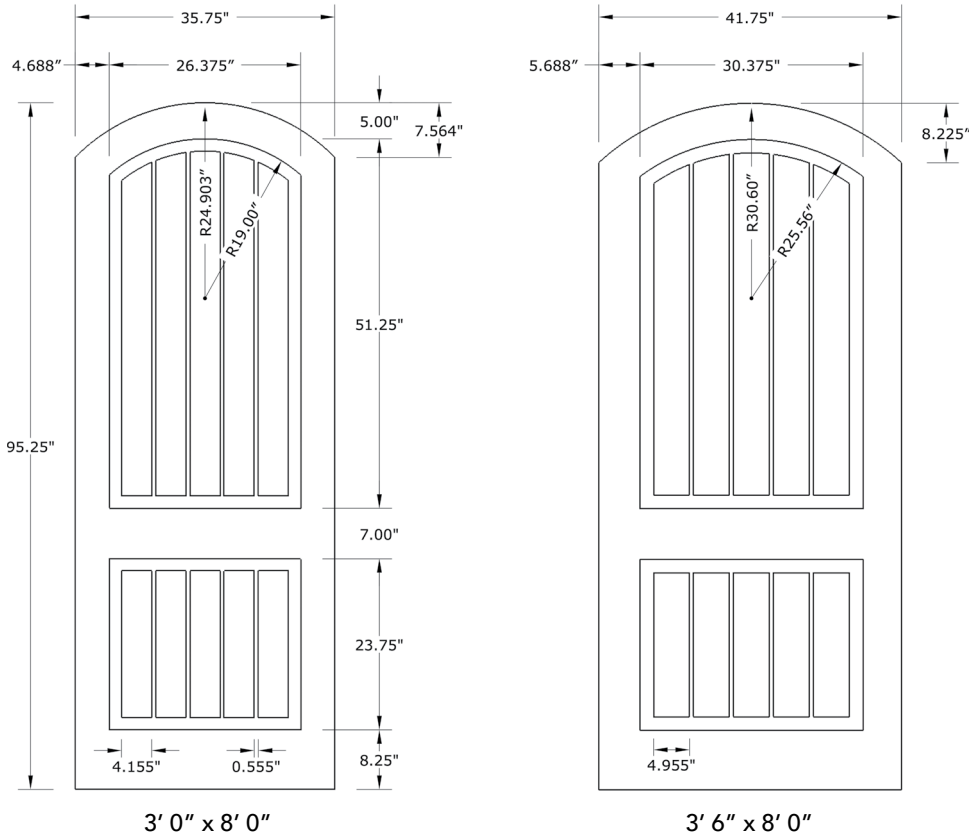


A = DISTANCE FROM TOP OF DOOR TO TOP OF CUTOUT

8'0" DRA2C80 TWO PANEL DOOR

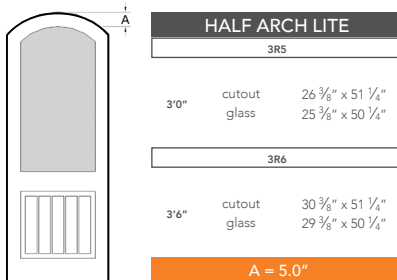
ARCH PLANK & ARCH TOP

AVAILABLE SIZING



NOTE: BY REQUEST, DOOR HEIGHT COMES IN VARYING DIMENSIONS TO A MINIMUM OF 95". EXCESS WILL BE TAKEN FROM BOTTOM RAIL. ALL OTHER DIMENSIONS WILL REMAIN THE SAME.

CUTOUTS & GLASS

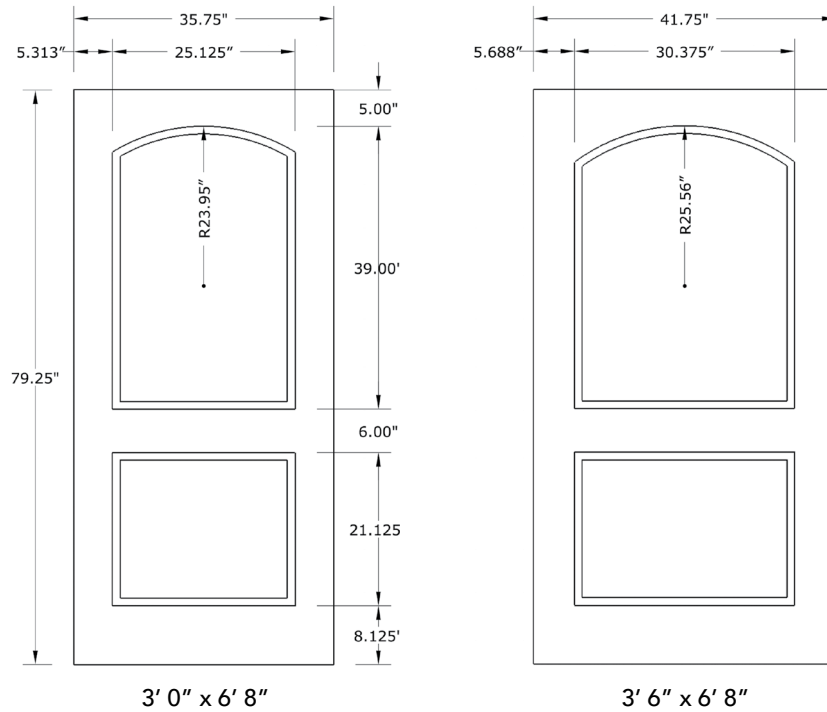


A = DISTANCE FROM TOP OF DOOR TO TOP OF CUTOUT

6'8" DRA2D TWO PANEL DOOR

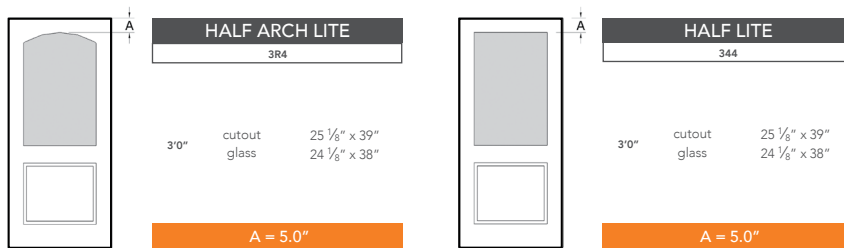
ARCH PANEL & SQUARE TOP

AVAILABLE SIZING



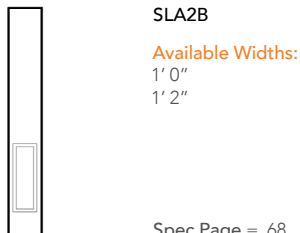
NOTE: BY REQUEST, DOOR HEIGHT COMES IN VARYING DIMENSIONS TO A MINIMUM OF 79". EXCESS WILL BE TAKEN FROM BOTTOM RAIL. ALL OTHER DIMENSIONS WILL REMAIN THE SAME.

CUTOUTS & GLASS



A = DISTANCE FROM TOP OF DOOR TO TOP OF CUTOUT

MATCHING SIDELITES

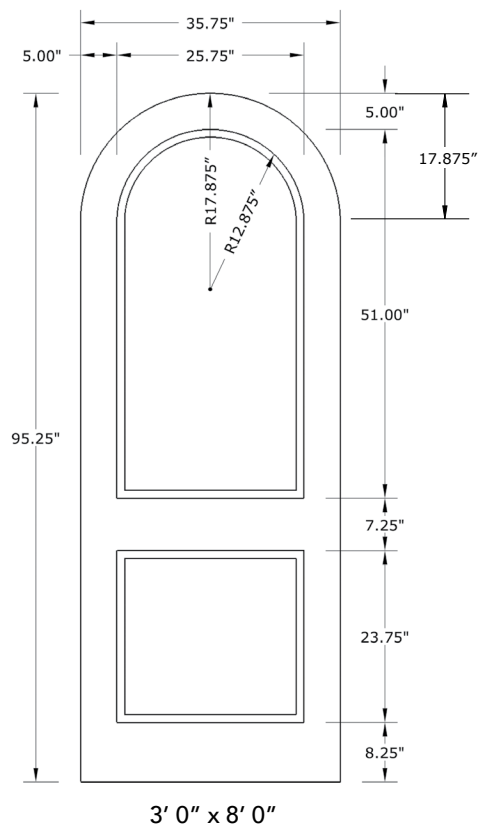


Spec Page = 68

8'0" DRA2F80 TWO PANEL DOOR

RADIUS PANEL & RADIUS TOP

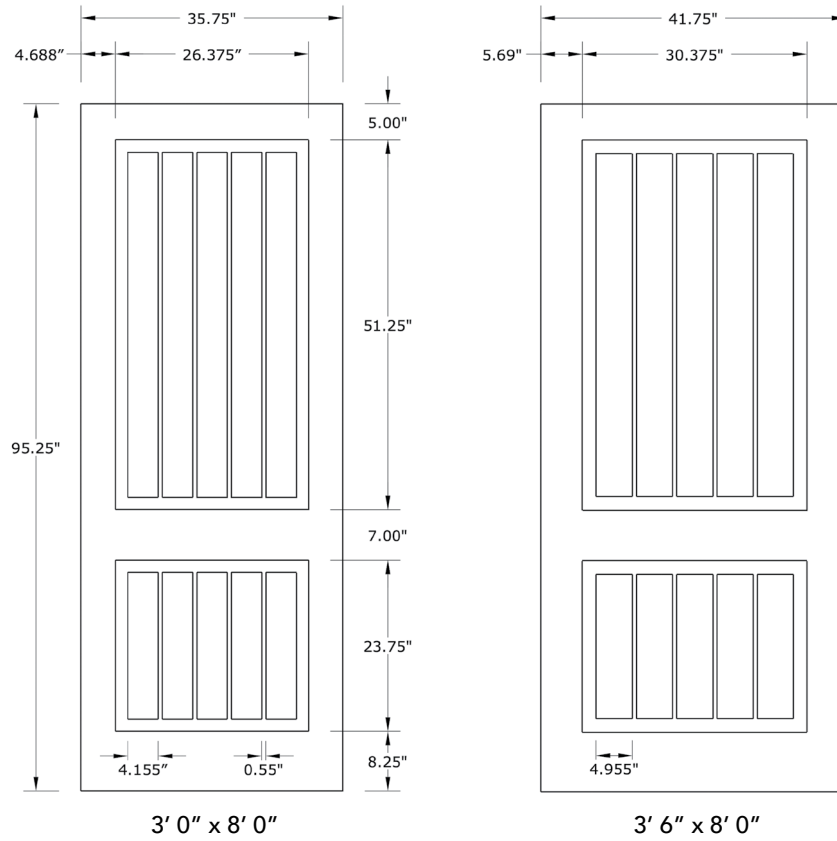
AVAILABLE SIZING



NOTE: BY REQUEST, DOOR HEIGHT COMES IN VARYING DIMENSIONS TO A MINIMUM OF 95". EXCESS WILL BE TAKEN FROM BOTTOM RAIL. ALL OTHER DIMENSIONS WILL REMAIN THE SAME.

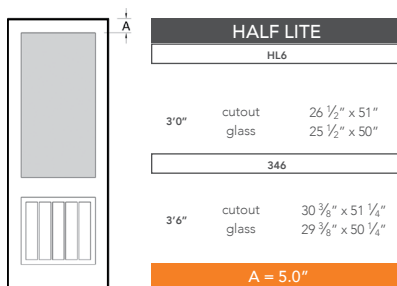
8'0" DRA2P80 TWO PANEL DOOR SQUARE PLANK & SQUARE TOP

AVAILABLE SIZING



NOTE: BY REQUEST, DOOR HEIGHT COMES IN VARYING DIMENSIONS TO A MINIMUM OF 95". EXCESS WILL BE TAKEN FROM BOTTOM RAIL. ALL OTHER DIMENSIONS WILL REMAIN THE SAME.

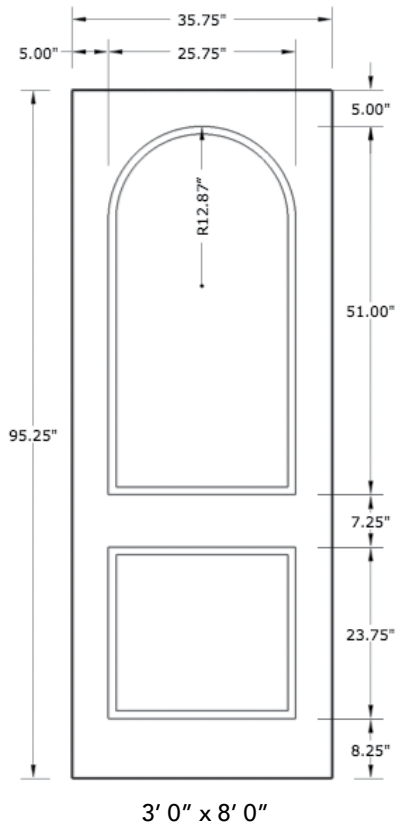
CUTOUTS & GLASS



A = DISTANCE FROM TOP OF DOOR TO TOP OF CUTOUT

8'0" DRA2R80 TWO PANEL DOOR RADIUS PANEL & SQUARE TOP

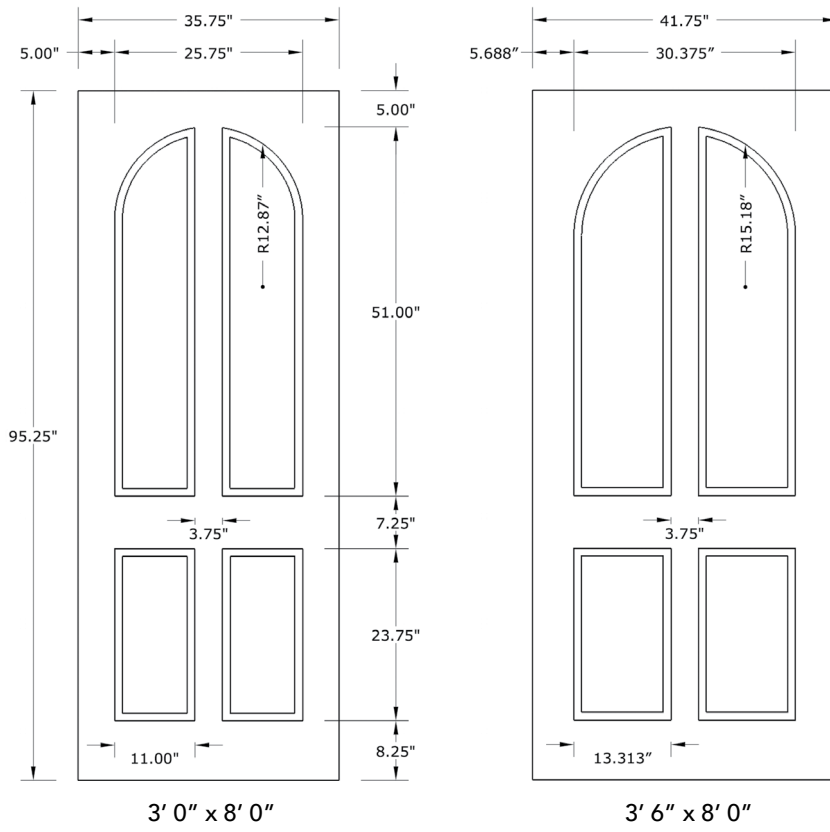
AVAILABLE SIZING



NOTE: BY REQUEST, DOOR HEIGHT COMES IN VARYING DIMENSIONS TO A MINIMUM OF 95". EXCESS WILL BE TAKEN FROM BOTTOM RAIL. ALL OTHER DIMENSIONS WILL REMAIN THE SAME.

8'0" DRA4R80 FOUR PANEL DOOR RADIUS PANEL & SQUARE TOP

AVAILABLE SIZING

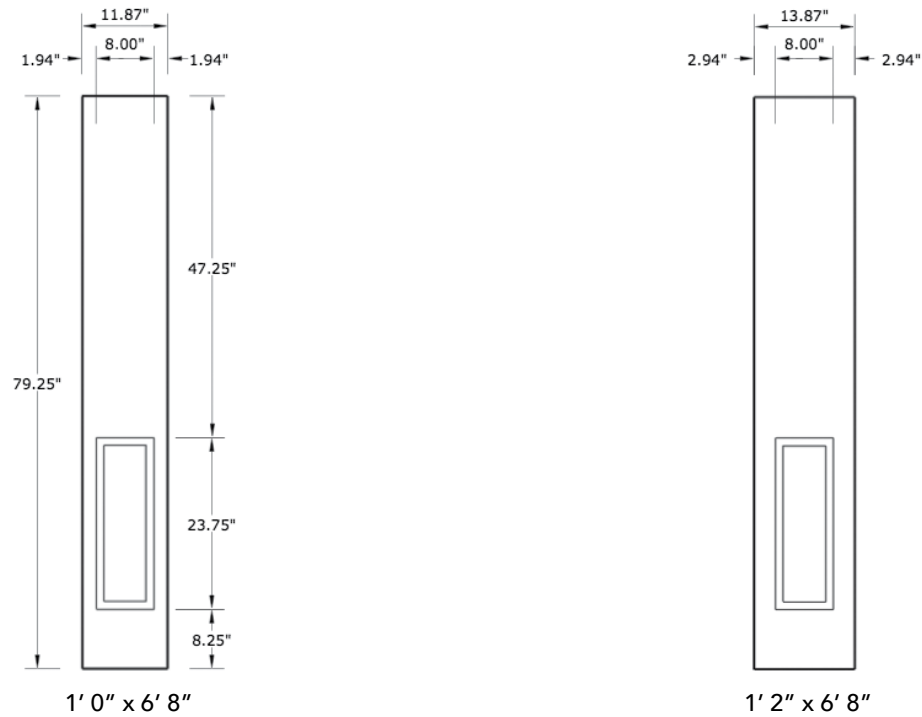


NOTE: BY REQUEST, DOOR HEIGHT COMES IN VARYING DIMENSIONS TO A MINIMUM OF 95". EXCESS WILL BE TAKEN FROM BOTTOM RAIL. ALL OTHER DIMENSIONS WILL REMAIN THE SAME.



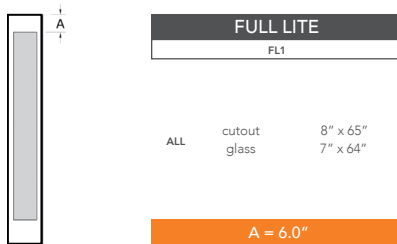
6'8" SLA2B TWO PANEL SIDELITE

AVAILABLE SIZING



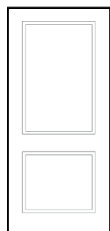
NOTE: BY REQUEST, SIDELITE HEIGHT COMES IN VARYING DIMENSIONS TO A MINIMUM OF 79". EXCESS WILL BE TAKEN FROM BOTTOM RAIL. ALL OTHER DIMENSIONS WILL REMAIN THE SAME.

CUTOUTS & GLASS



A = DISTANCE FROM TOP OF SIDELITE TO TOP OF CUTOUT

MATCHING DOORS



DRA2B

Available Widths:
2' 10"

Spec Page = 59



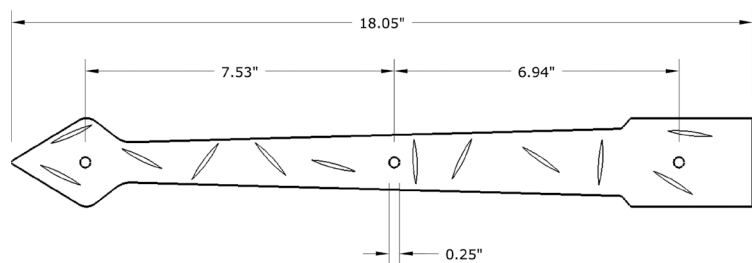
DRA2D

Available Widths:
3' 0"
3' 6"

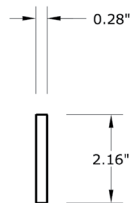
Spec Page = 62

18" ACCHGSTP18 WROUGHT IRON HINGE STRAP

ACCESSORY DIMENSIONS

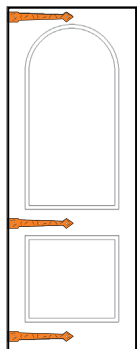


Front Profile



Thickness

ACCESSORY INFO



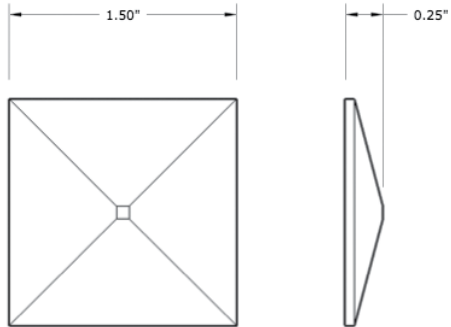
Pieces in Set: 3
18" Hinge Strap (x3)

Matching Doors:
Rustic Door Series

DECORATIVE CLAVOS

ACCESSORY DIMENSIONS & INFO

1.50" ACCLP12Q SQUARE CLAVOS

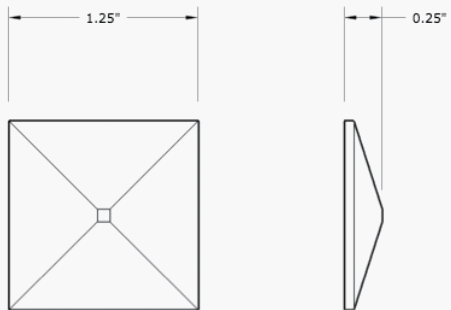


Pieces in Set: 10
1.50" Square Clavos (x10)

Matching Doors:
Rustic Door Series

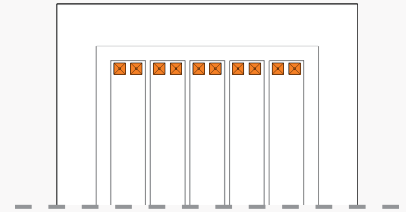


1.25" ACCLP14Q SQUARE CLAVOS

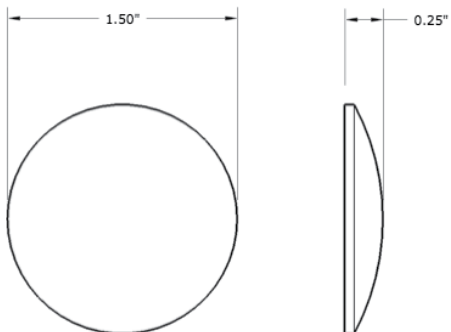


Pieces in Set: 10
1.25" Square Clavos (x10)

Matching Doors:
Rustic Door Series



1.50" ACCLP12R ROUND CLAVOS

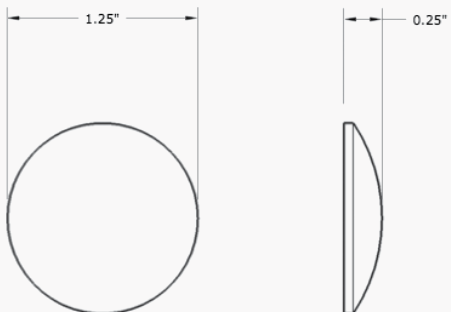


Pieces in Set: 10
1.50" Round Clavos (x10)

Matching Doors:
Rustic Door Series

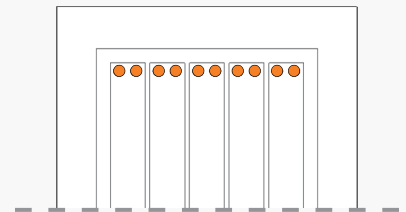


1.25" ACCLP14R ROUND CLAVOS



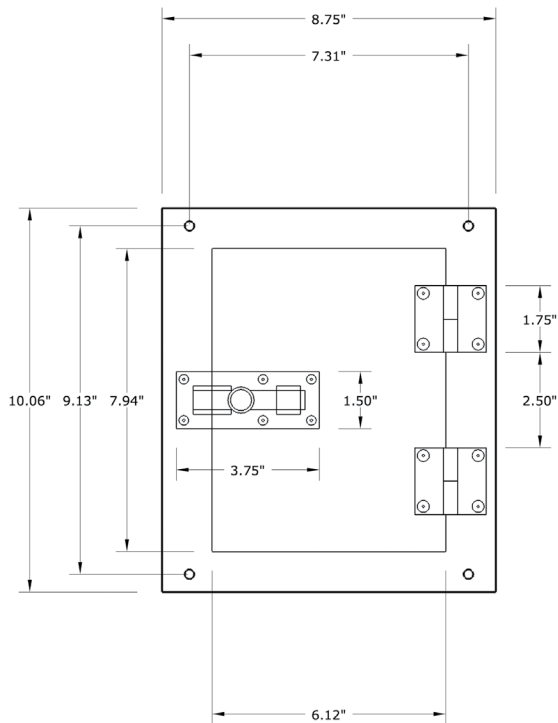
Pieces in Set: 10
1.25" Round Clavos (x10)

Matching Doors:
Rustic Door Series

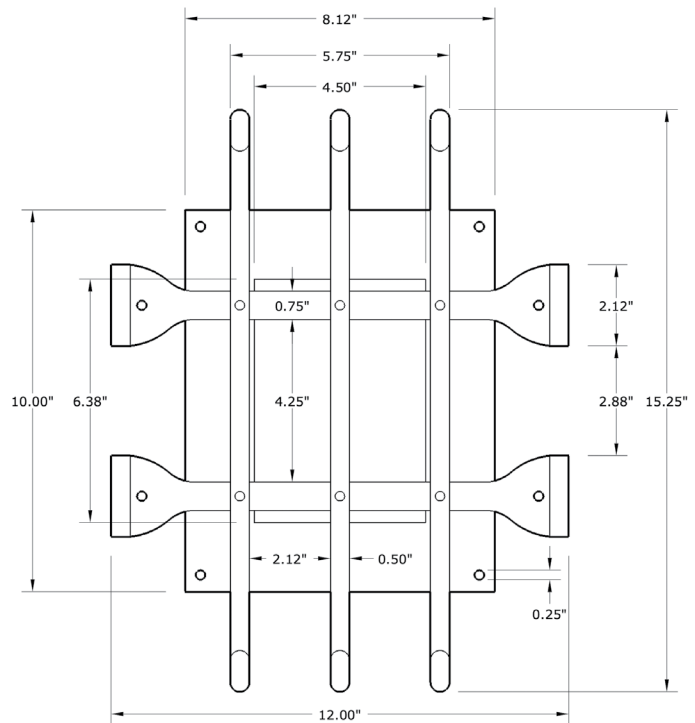


ACCSPKY0910KIT WROUGHT IRON SPEAKEASY KIT

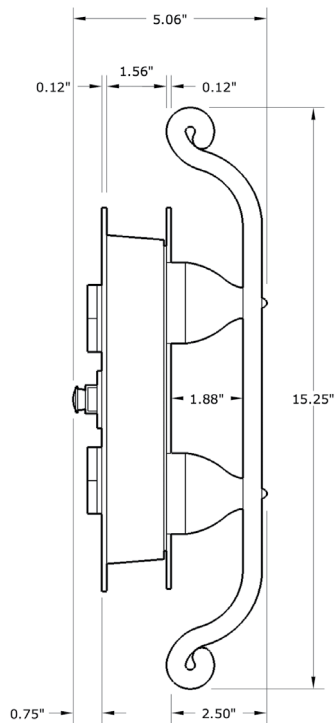
ACCESSORY DIMENSIONS



Handle View



Grill View



Side View

ACCESSORY INFO

Pieces in Set: 3

External Frame - 8 3/4" x 10 1/16"

Internal Frame - 8 1/8" x 10"

Grill - 12" x 15 1/4"

Glass Type:

Clear

Door Cutout:

7" x 9"

Matching Doors:

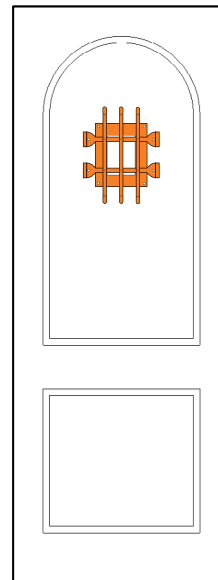
DRA2A | *Spec Page 58*

DRA2B | *Spec Page 60*

DRA2D | *Spec Page 63*

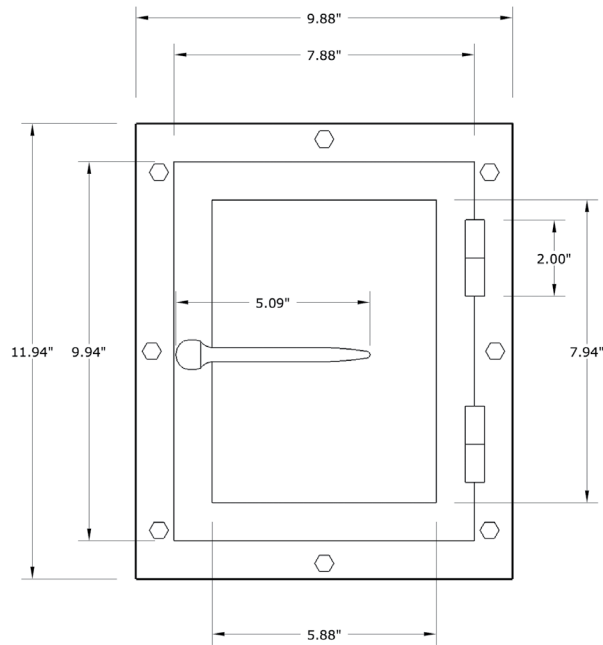
DRA2F80 | *Spec Page 64*

DRA2R80 | *Spec Page 66*

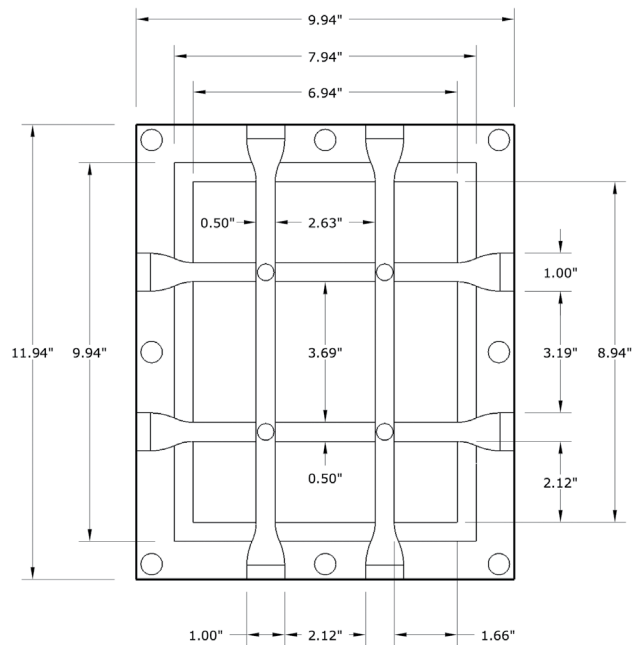


ACCSPKYGSB0KIT WROUGHT IRON SPEAKEASY KIT

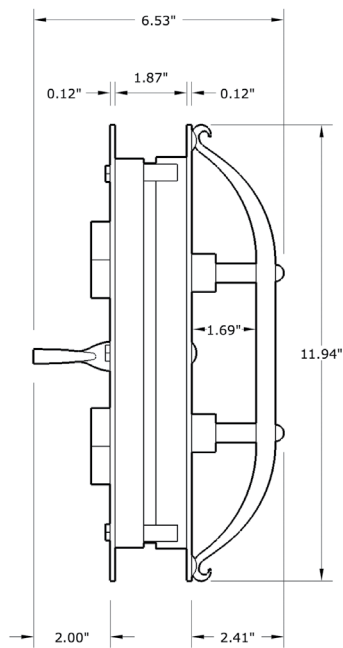
ACCESSORY DIMENSIONS



Handle View



Grill View



Side View

ACCESSORY INFO

Pieces in Set: 2

Internal Frame - $9 \frac{7}{8}'' \times 11 \frac{15}{16}''$

External Frame - $9 \frac{15}{16}'' \times 11 \frac{15}{16}''$

Glass Type:

Sea Spray Glass

Door Cutout:

$9 \frac{1}{8}'' \times 11 \frac{1}{8}''$

Matching Doors:

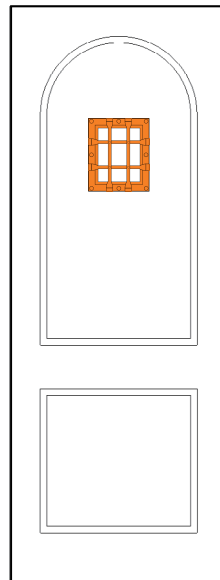
DRA2A | *Spec Page 38*

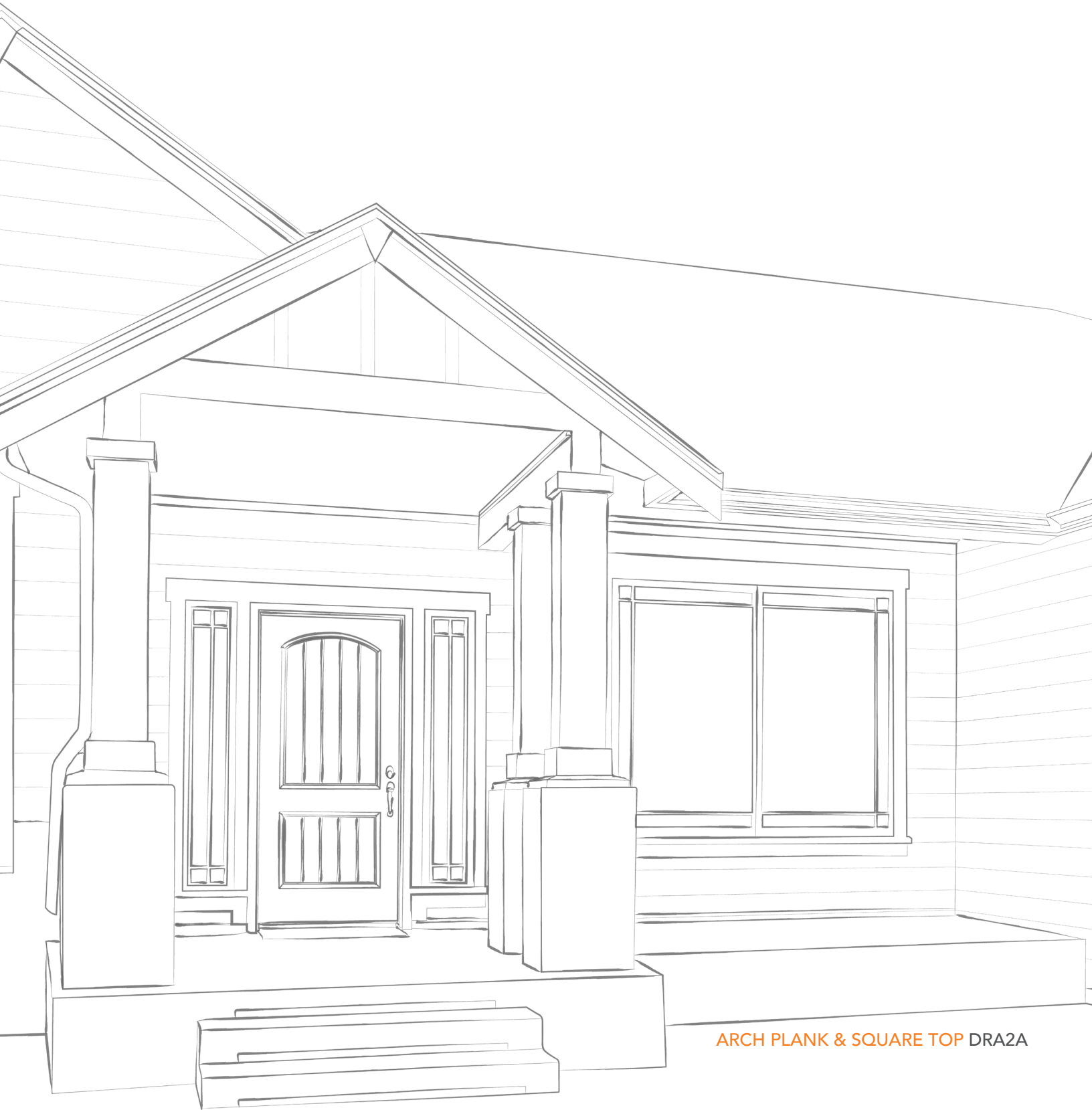
DRA2B | *Spec Page 40*

DRA2D | *Spec Page 43*

DRA2F80 | *Spec Page 44*

DRA2R80 | *Spec Page 46*







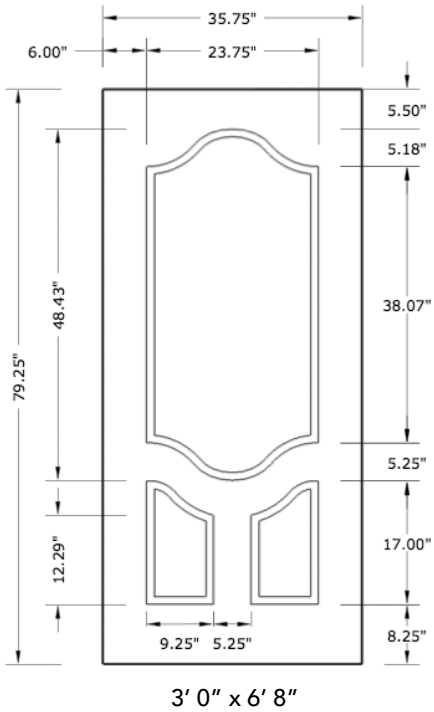
MAHOGANY SERIES

The Mahogany Series brings a beloved wood texture into traditional, timeless styles. Our doors come with classic panel designs that can carry all of our decorative glass designs. This series radiates beauty, elegance, and strength to your home.

PG 74 - 83

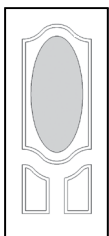
6'8" DRM3D THREE PANEL DELUXE DOOR

AVAILABLE SIZING



NOTE: BY REQUEST, DOOR HEIGHT COMES IN VARYING DIMENSIONS TO A MINIMUM OF 79". EXCESS WILL BE TAKEN FROM BOTTOM RAIL. ALL OTHER DIMENSIONS WILL REMAIN THE SAME.

CUTOUTS & GLASS



3/4 OVAL LITE
3V2

		Width	Height
3'0"	cutout	17.835"	40.118"
	glass	16.781"	38.719"

OVAL CUTOUT IS CENTERED IN PANEL HEIGHT

MATCHING SIDELITES



SLM3D

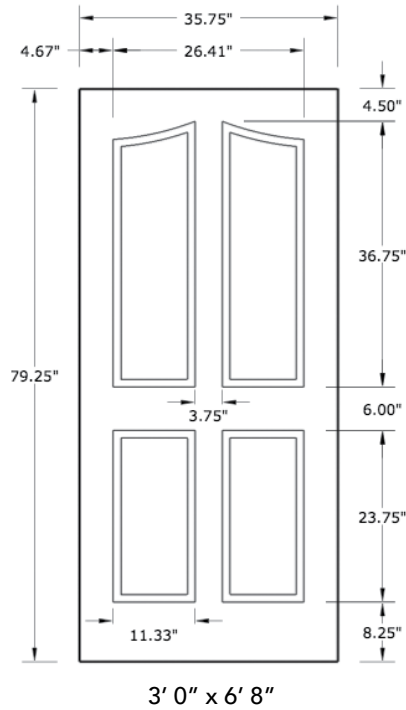
Available Widths:

- 1' 0"
- 1' 2"

Spec Page = 81

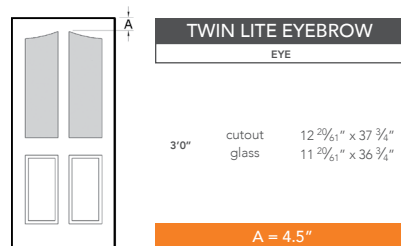
6'8" DRM4E FOUR PANEL EYEBROW DOOR

AVAILABLE SIZING



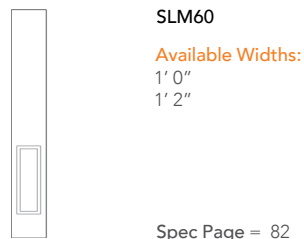
NOTE: BY REQUEST, DOOR HEIGHT COMES IN VARYING DIMENSIONS TO A MINIMUM OF 79". EXCESS WILL BE TAKEN FROM BOTTOM RAIL. ALL OTHER DIMENSIONS WILL REMAIN THE SAME.

CUTOUTS & GLASS



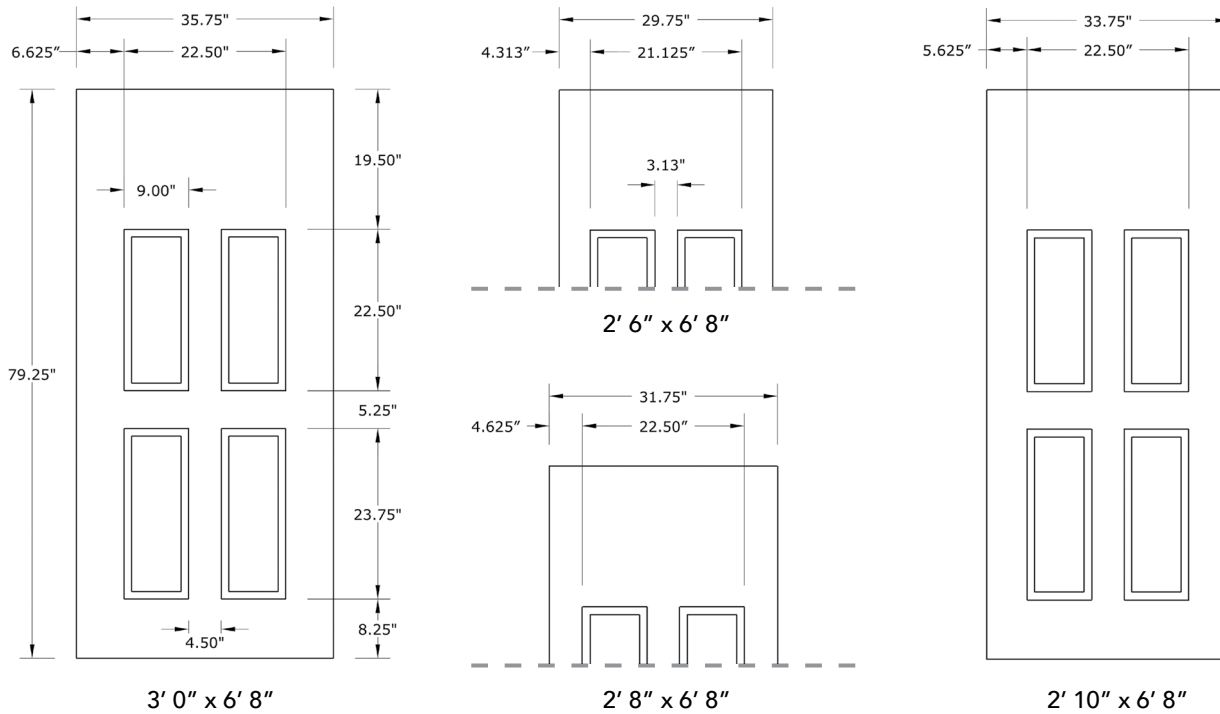
A = DISTANCE FROM TOP OF DOOR TO TOP OF CUTOUT

MATCHING SIDELITES



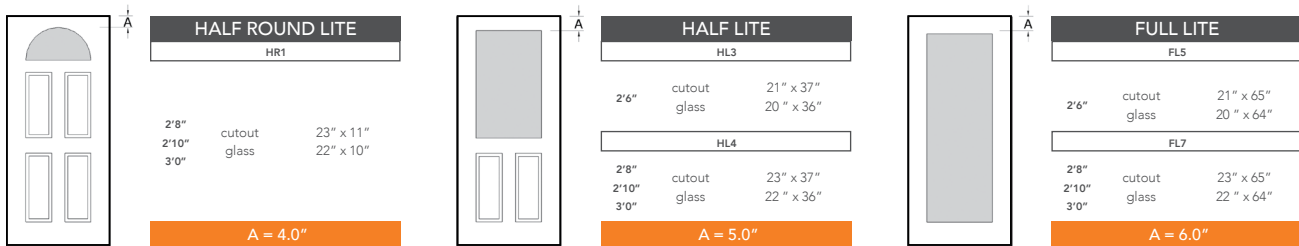
6'8" DRM40 FOUR PANEL BLANK TOP DOOR

AVAILABLE SIZING



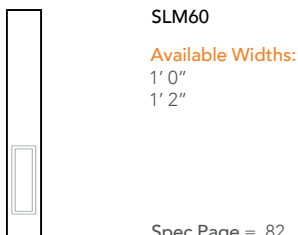
NOTE: BY REQUEST, DOOR HEIGHT COMES IN VARYING DIMENSIONS TO A MINIMUM OF 79". EXCESS WILL BE TAKEN FROM BOTTOM RAIL. ALL OTHER DIMENSIONS WILL REMAIN THE SAME.

CUTOUTS & GLASS



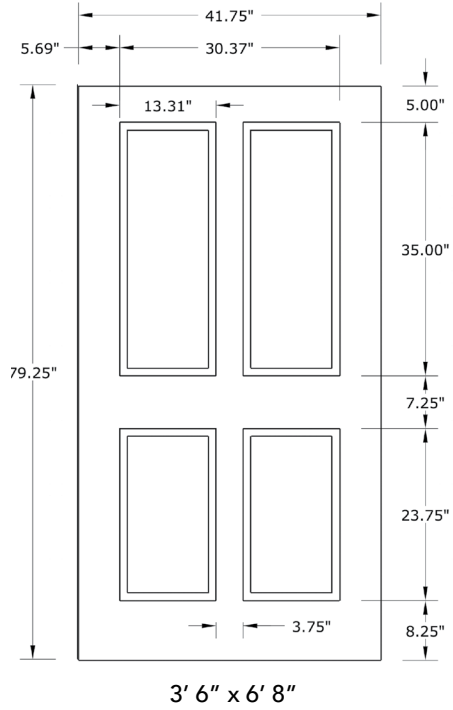
A = DISTANCE FROM TOP OF DOOR TO TOP OF CUTOUT

MATCHING SIDELITES



6'8" DRM41 TRUE FOUR PANEL DOOR

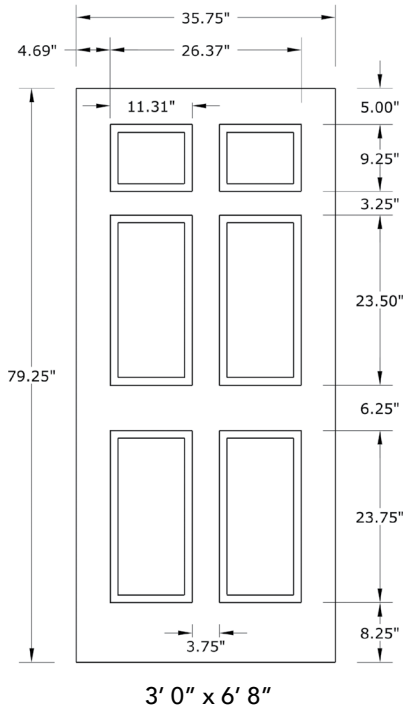
AVAILABLE SIZING



NOTE: BY REQUEST, DOOR HEIGHT COMES IN VARYING DIMENSIONS TO A MINIMUM OF 79". EXCESS WILL BE TAKEN FROM BOTTOM RAIL. ALL OTHER DIMENSIONS WILL REMAIN THE SAME.

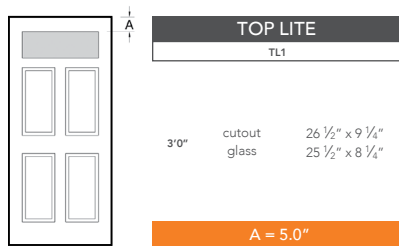
6'8" DRM60 SIX PANEL DOOR

AVAILABLE SIZING



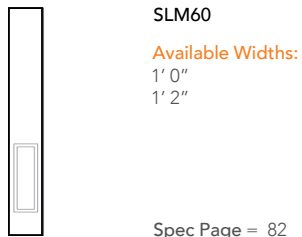
NOTE: BY REQUEST, DOOR HEIGHT COMES IN VARYING DIMENSIONS TO A MINIMUM OF 79". EXCESS WILL BE TAKEN FROM BOTTOM RAIL. ALL OTHER DIMENSIONS WILL REMAIN THE SAME.

CUTOUTS & GLASS



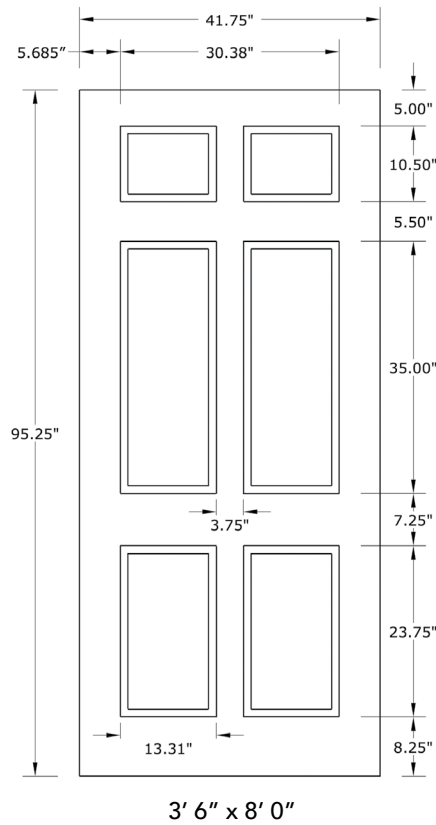
A = DISTANCE FROM TOP OF DOOR TO TOP OF CUTOUT

MATCHING SIDELITES



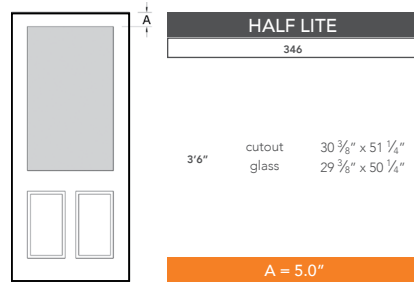
8'0" DRM6080 SIX PANEL DOOR

AVAILABLE SIZING



NOTE: BY REQUEST, DOOR HEIGHT COMES IN VARYING DIMENSIONS TO A MINIMUM OF 95". EXCESS WILL BE TAKEN FROM BOTTOM RAIL. ALL OTHER DIMENSIONS WILL REMAIN THE SAME.

CUTOUTS & GLASS

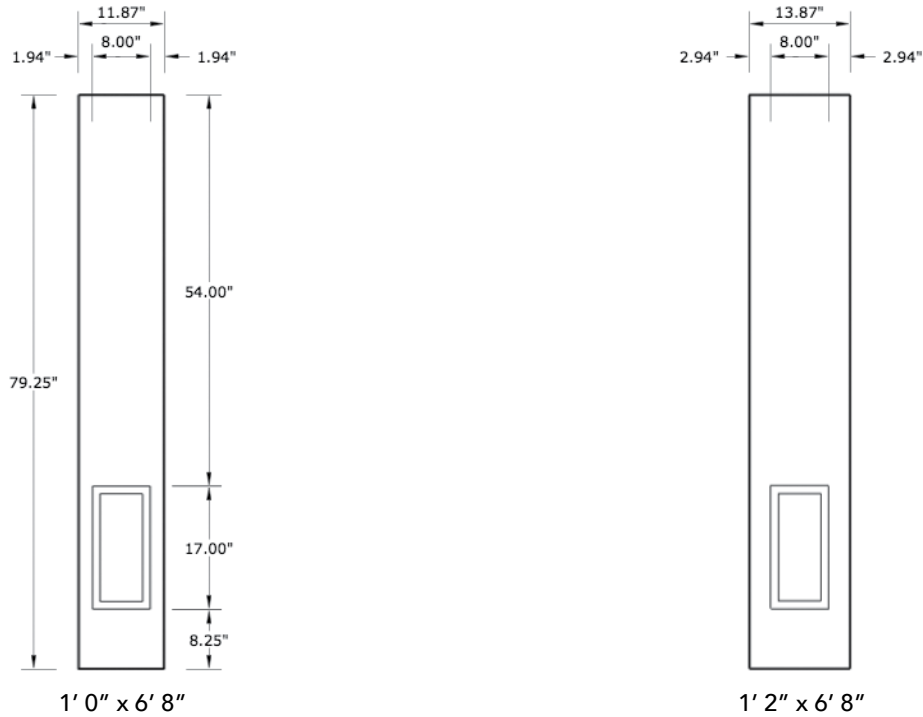


MATCHING SIDELITES



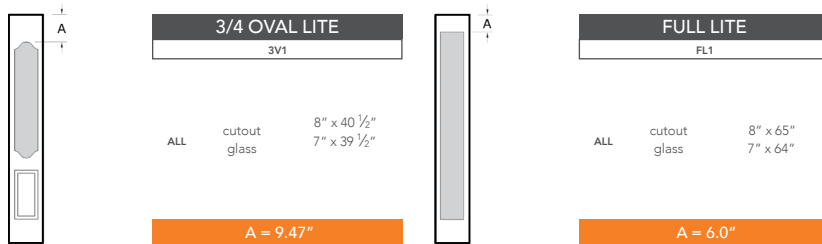
6'8" SLM3D 3/4 DELUXE SIDELITE

AVAILABLE SIZING



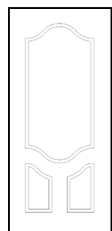
NOTE: BY REQUEST, SIDELITE HEIGHT COMES IN VARYING DIMENSIONS TO A MINIMUM OF 79". EXCESS WILL BE TAKEN FROM BOTTOM RAIL. ALL OTHER DIMENSIONS WILL REMAIN THE SAME.

CUTOUTS & GLASS



A = DISTANCE FROM TOP OF SIDELITE TO TOP OF CUTOUT

MATCHING SIDELITES

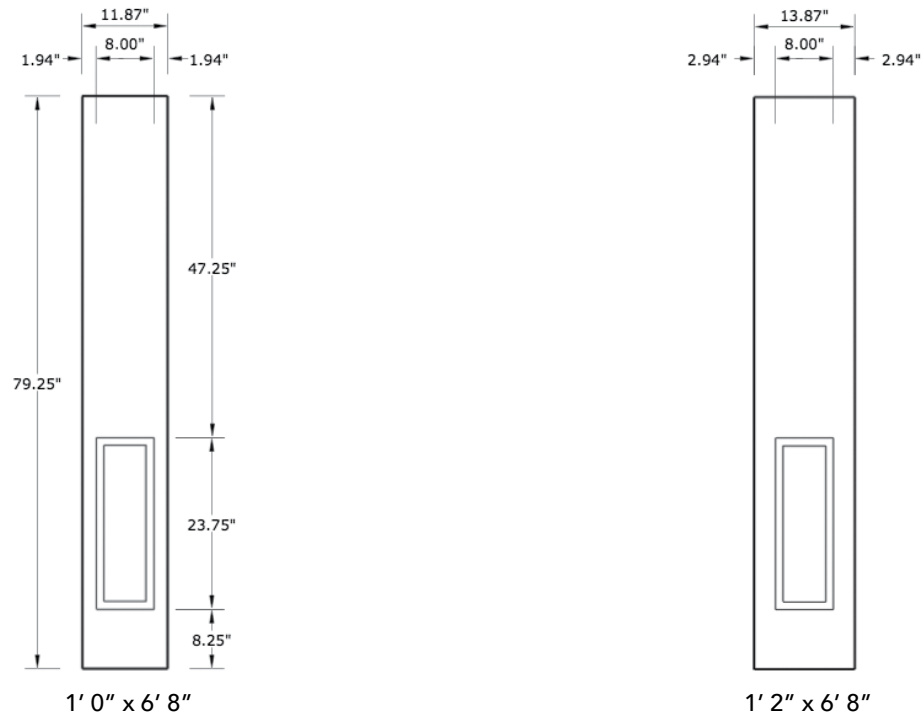


DRM3D
 Available Widths:
 3' 0"

Spec Page = 75

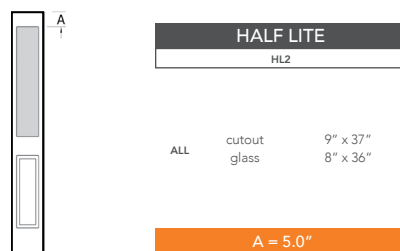
6'8" SLM60 SIX PANEL SIDELITE

AVAILABLE SIZING



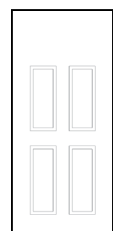
NOTE: BY REQUEST, SIDELITE HEIGHT COMES IN VARYING DIMENSIONS TO A MINIMUM OF 79". EXCESS WILL BE TAKEN FROM BOTTOM RAIL. ALL OTHER DIMENSIONS WILL REMAIN THE SAME.

CUTOUTS & GLASS



A = DISTANCE FROM TOP OF SIDELITE TO TOP OF CUTOUT

MATCHING SIDELITES

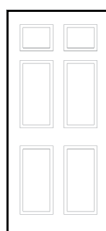


DRM40

Available Widths:

- 2' 6"
- 2' 8"
- 2' 10"
- 3' 0"

Spec Page = 77



DRM60

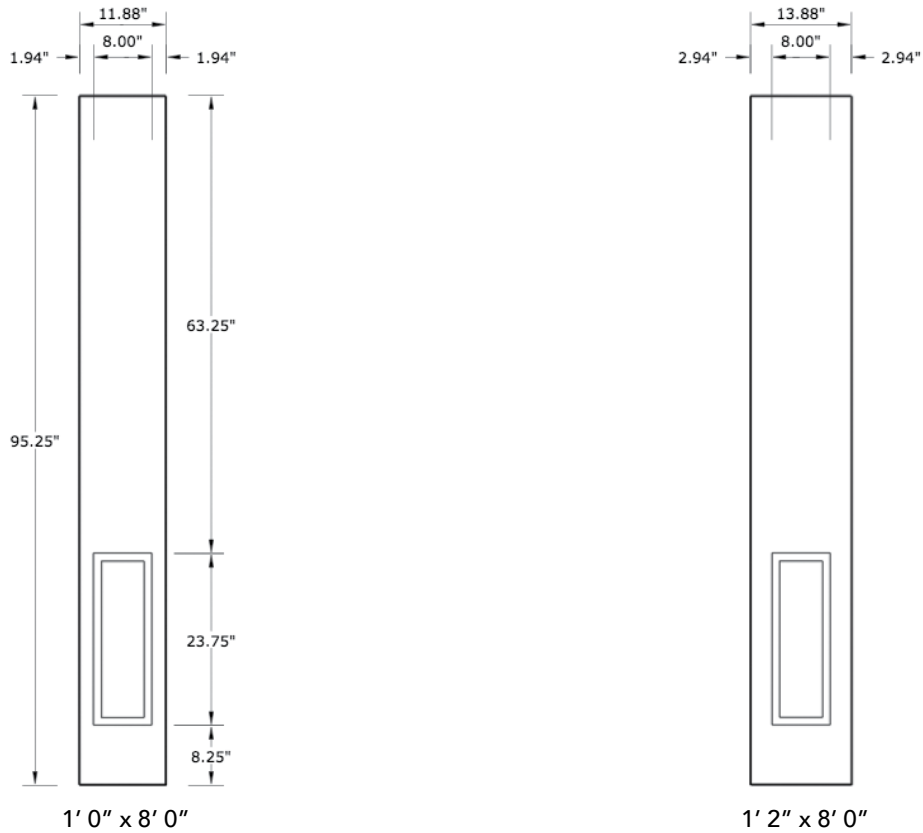
Available Widths:

- 3' 0"

Spec Page = 79

8'0" SLM6080 SIX PANEL SIDELITE

AVAILABLE SIZING



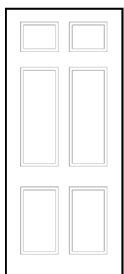
NOTE: BY REQUEST, SIDELITE HEIGHT COMES IN VARYING DIMENSIONS TO A MINIMUM OF 95". EXCESS WILL BE TAKEN FROM BOTTOM RAIL. ALL OTHER DIMENSIONS WILL REMAIN THE SAME.

CUTOUTS & GLASS



A = DISTANCE FROM TOP OF SIDELITE TO TOP OF CUTOUT

MATCHING SIDELITES



DRM6080

Available Widths:
3' 6"

Spec Page = 80

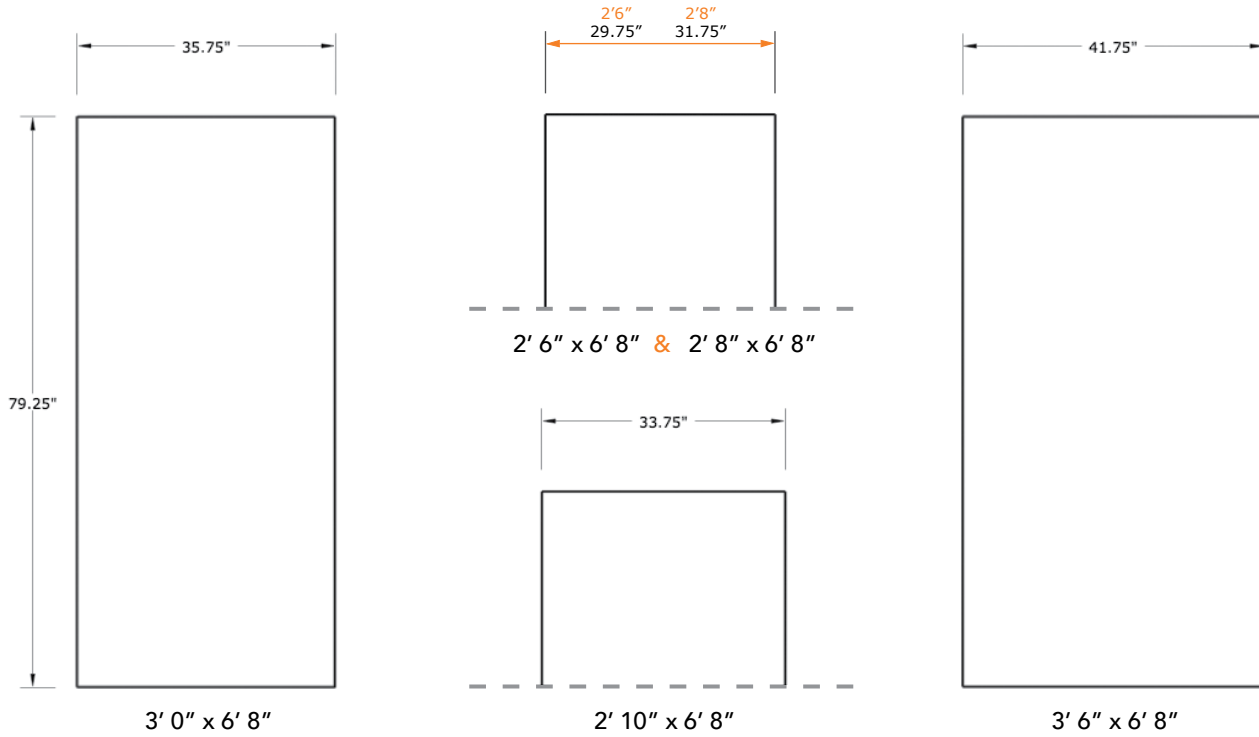
OAK SERIES

Dressed in a rich oak grain texture, our Oak series gives a classic look to your home. Oak doors come in many panel designs. Mix and match these styles with our entire glass line to find the combination that best brings out your homes unique characteristics. These doors create a timeless look that will never go out of style.

PG 84 - 125

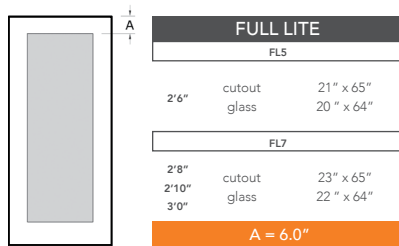
6'8" DRG00 FLUSH DOOR

AVAILABLE SIZING



NOTE: BY REQUEST, DOOR HEIGHT COMES IN VARYING DIMENSIONS TO A MINIMUM OF 79". EXCESS WILL BE TAKEN FROM BOTTOM RAIL. ALL OTHER DIMENSIONS WILL REMAIN THE SAME.

CUTOUTS & GLASS



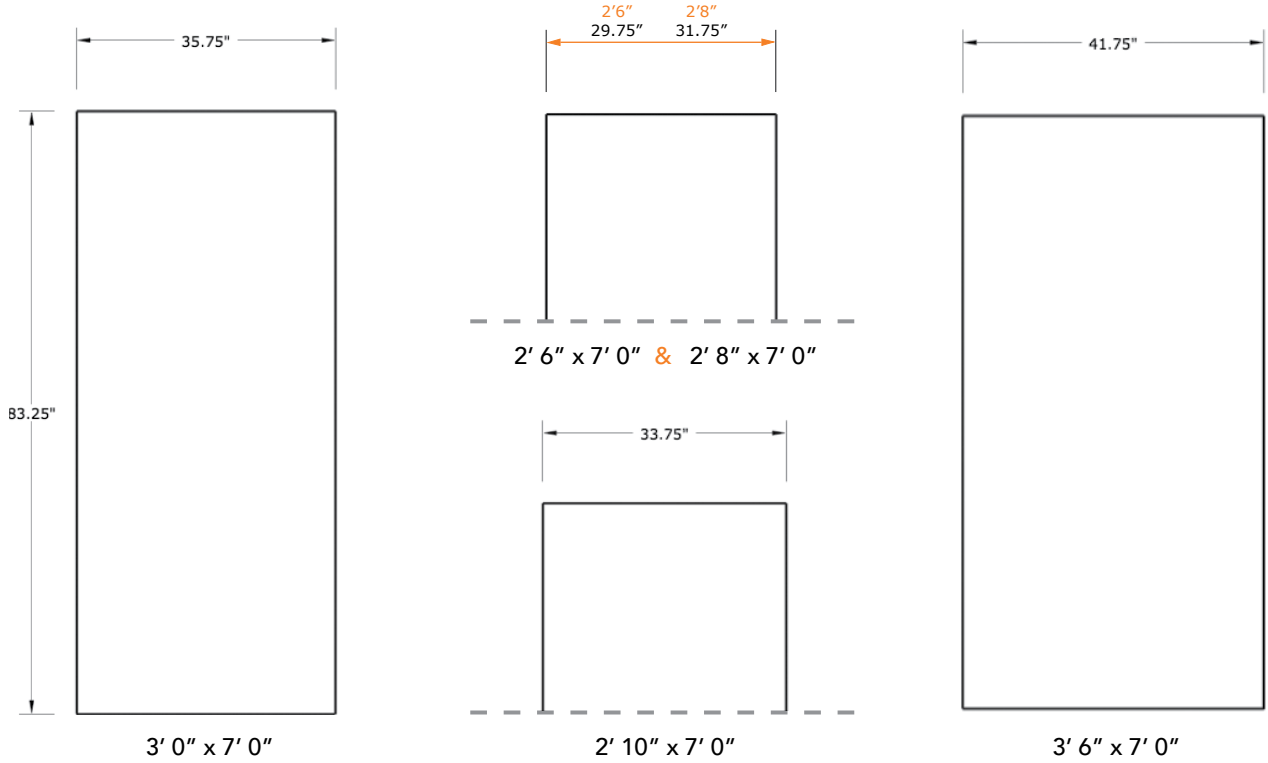
A = DISTANCE FROM TOP OF DOOR TO TOP OF CUTOUT

MATCHING SIDELITES



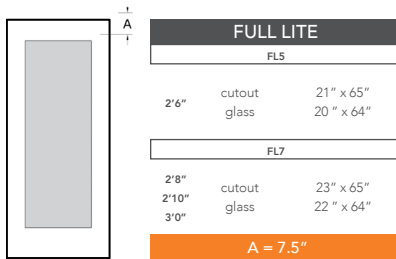
7'0" DRG0070 FLUSH DOOR

AVAILABLE SIZING



NOTE: BY REQUEST, DOOR HEIGHT COMES IN VARYING DIMENSIONS TO A MINIMUM OF 83". EXCESS WILL BE TAKEN FROM BOTTOM RAIL. ALL OTHER DIMENSIONS WILL REMAIN THE SAME.

CUTOUTS & GLASS



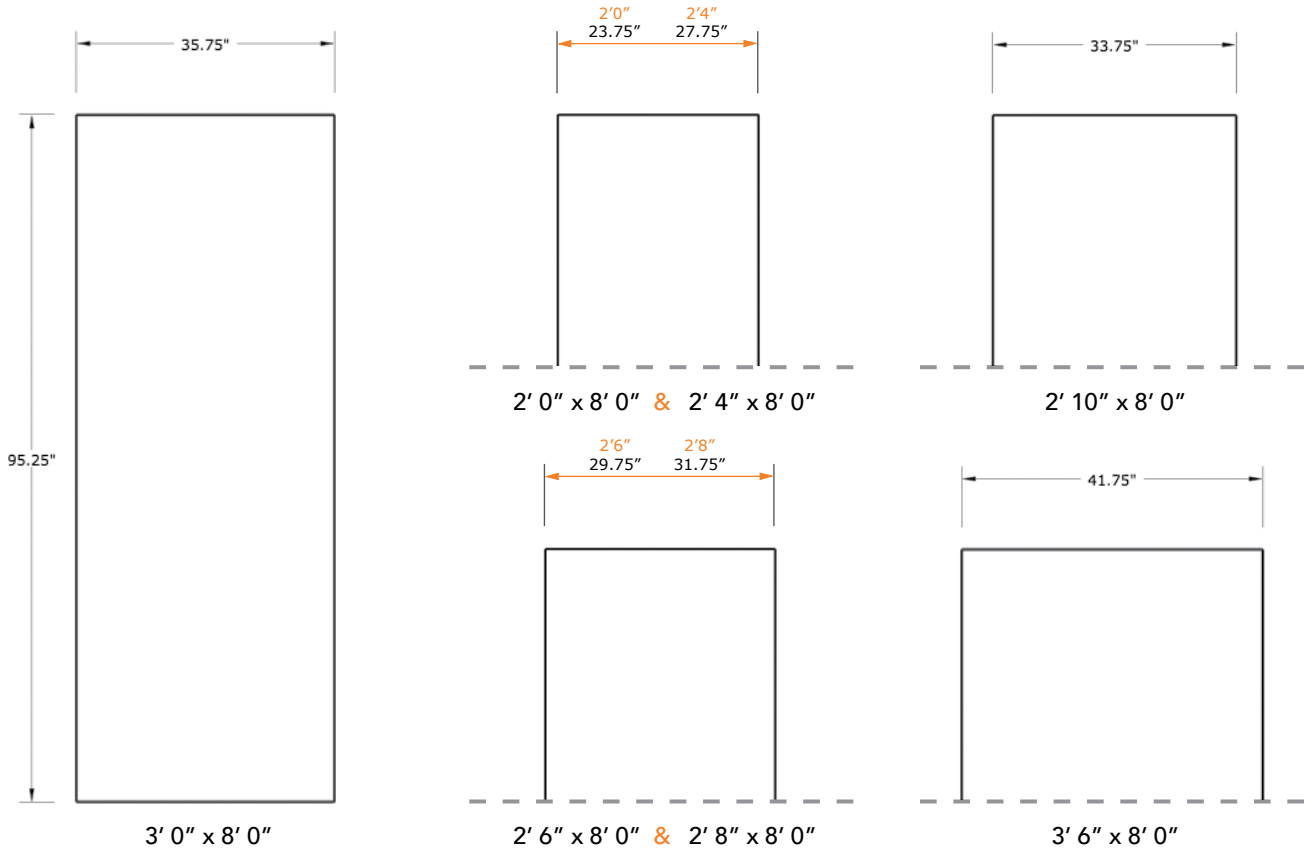
A = DISTANCE FROM TOP OF DOOR TO TOP OF CUTOUT

MATCHING SIDELITES



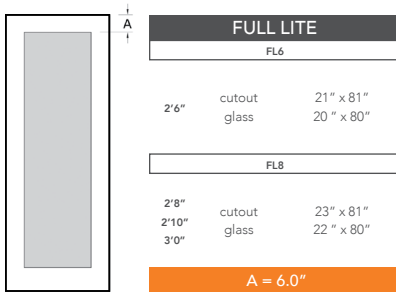
8'0" DRG0080 FLUSH DOOR

AVAILABLE SIZING



NOTE: BY REQUEST, DOOR HEIGHT COMES IN VARYING DIMENSIONS TO A MINIMUM OF 95". EXCESS WILL BE TAKEN FROM BOTTOM RAIL. ALL OTHER DIMENSIONS WILL REMAIN THE SAME.

CUTOUTS & GLASS



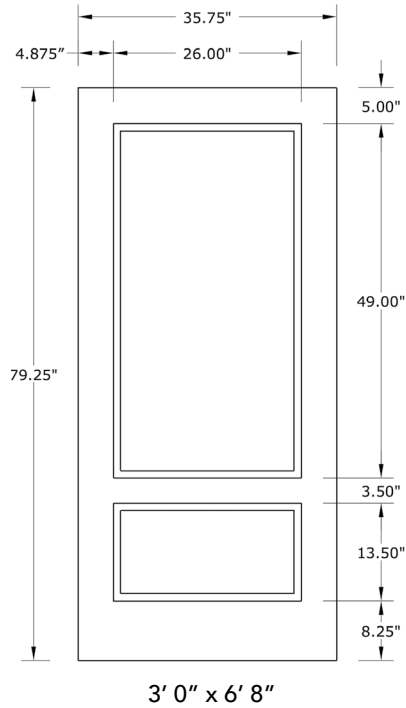
A = DISTANCE FROM TOP OF DOOR TO TOP OF CUTOUT

MATCHING SIDELITES



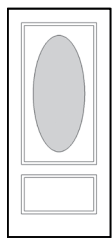
6'8" DRG20 3/4 HERITAGE DOOR

AVAILABLE SIZING



NOTE: BY REQUEST, DOOR HEIGHT COMES IN VARYING DIMENSIONS TO A MINIMUM OF 79". EXCESS WILL BE TAKEN FROM BOTTOM RAIL. ALL OTHER DIMENSIONS WILL REMAIN THE SAME.

CUTOUTS & GLASS



3/4 OVAL LITE		Width	Height
3V2			
3'0"	cutout	17.835"	40.118"
	glass	16.781"	38.719"



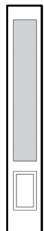
3/4 LITE		Width	Height
343			
3'0"	cutout	26"	49"
	glass	25"	48"

A = 5.0"

OVAL IS CENTERED IN PANEL HEIGHT

A = DISTANCE FROM TOP OF DOOR TO TOP OF CUTOUT

MATCHING SIDELITES

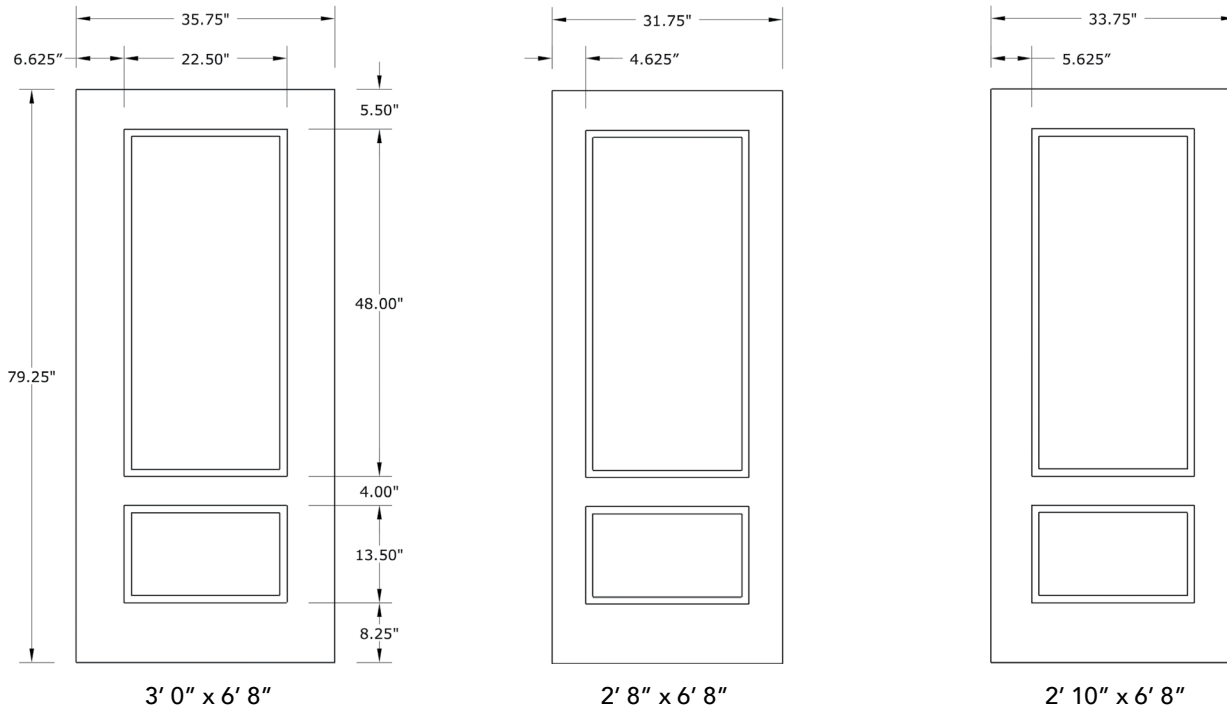


SLG3E
Available Widths:
 1' 0"
 1' 2"

Spec Page = 116

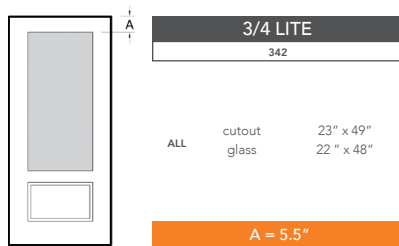
6'8" DRG29 3/4 TWO PANEL DOOR

AVAILABLE SIZING



NOTE: BY REQUEST, DOOR HEIGHT COMES IN VARYING DIMENSIONS TO A MINIMUM OF 79". EXCESS WILL BE TAKEN FROM BOTTOM RAIL. ALL OTHER DIMENSIONS WILL REMAIN THE SAME.

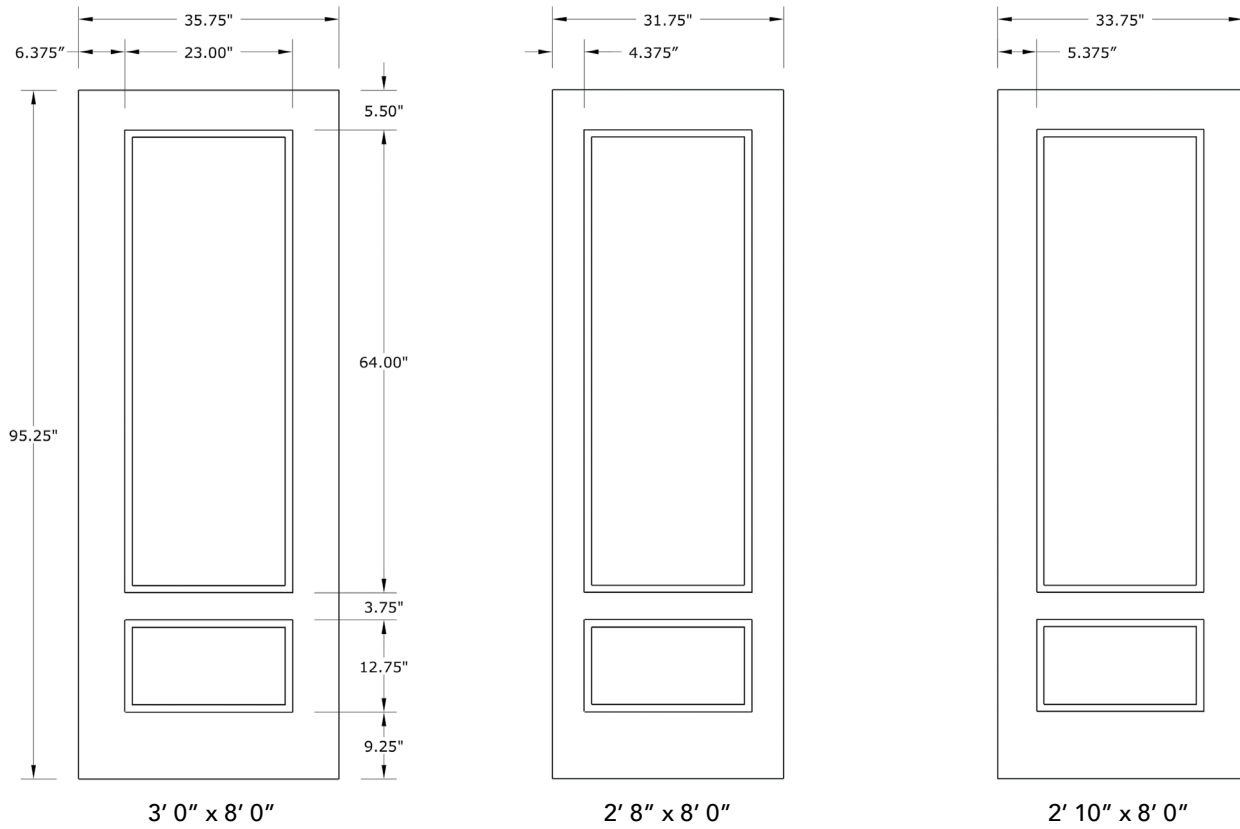
CUTOUTS & GLASS



A = DISTANCE FROM TOP OF DOOR TO TOP OF CUTOUT

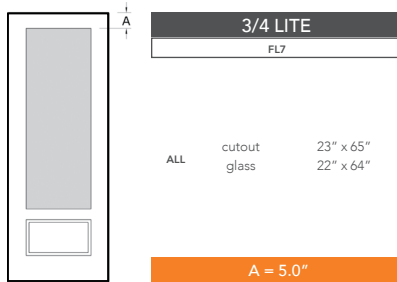
8'0" DRG2980 3/4 TWO PANEL DOOR

AVAILABLE SIZING



NOTE: BY REQUEST, DOOR HEIGHT COMES IN VARYING DIMENSIONS TO A MINIMUM OF 95". EXCESS WILL BE TAKEN FROM BOTTOM RAIL. ALL OTHER DIMENSIONS WILL REMAIN THE SAME.

CUTOUTS & GLASS



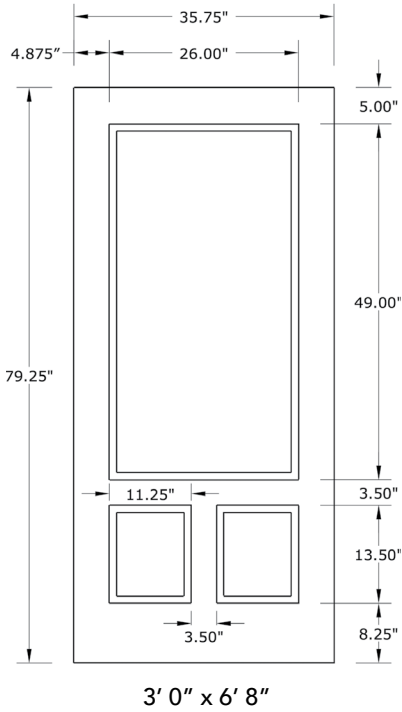
A = DISTANCE FROM TOP OF DOOR TO TOP OF CUTOUT

MATCHING SIDELITES



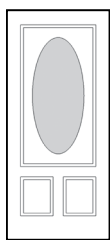
6'8" DRG3E 3/4 ELITE DOOR

AVAILABLE SIZING



NOTE: BY REQUEST, DOOR HEIGHT COMES IN VARYING DIMENSIONS TO A MINIMUM OF 79". EXCESS WILL BE TAKEN FROM BOTTOM RAIL. ALL OTHER DIMENSIONS WILL REMAIN THE SAME.

CUTOUTS & GLASS



3/4 OVAL LITE		Width	Height
3V2			
3'0"	cutout	17.835"	40.118"
	glass	16.781"	38.719"

OVAL IS CENTERED IN PANEL HEIGHT

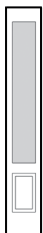


3/4 LITE		Width	Height
343			
3'0"	cutout	26"	49"
	glass	25"	48"

A = 5.0"

A = DISTANCE FROM TOP OF DOOR TO TOP OF CUTOUT

MATCHING SIDELITES

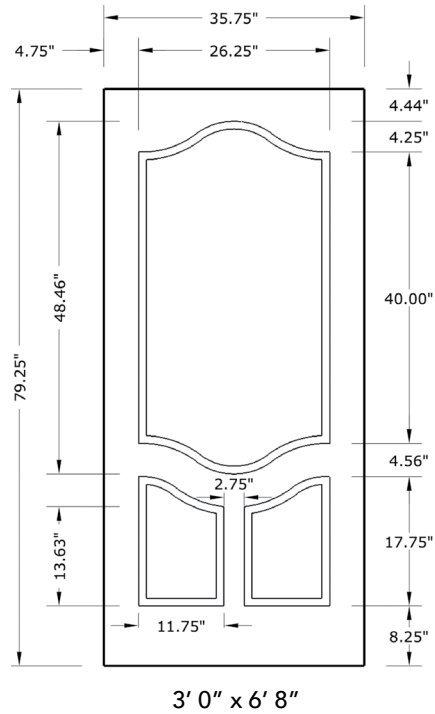


SLG3E
 Available Widths:
 1' 0"
 1' 2"

Spec Page = 116

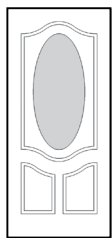
6'8" DRG3P 3/4 PREMIUM DOOR

AVAILABLE SIZING



NOTE: BY REQUEST, DOOR HEIGHT COMES IN VARYING DIMENSIONS TO A MINIMUM OF 79". EXCESS WILL BE TAKEN FROM BOTTOM RAIL. ALL OTHER DIMENSIONS WILL REMAIN THE SAME.

CUTOUTS & GLASS

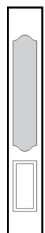


3/4 OVAL LITE
3V2

		Width	Height
3'0"	cutout	17.835"	40.118"
	glass	16.781"	38.719"

OVAL CUTOUT IS CENTERED IN PANEL HEIGHT

MATCHING SIDELITES



SLG3P

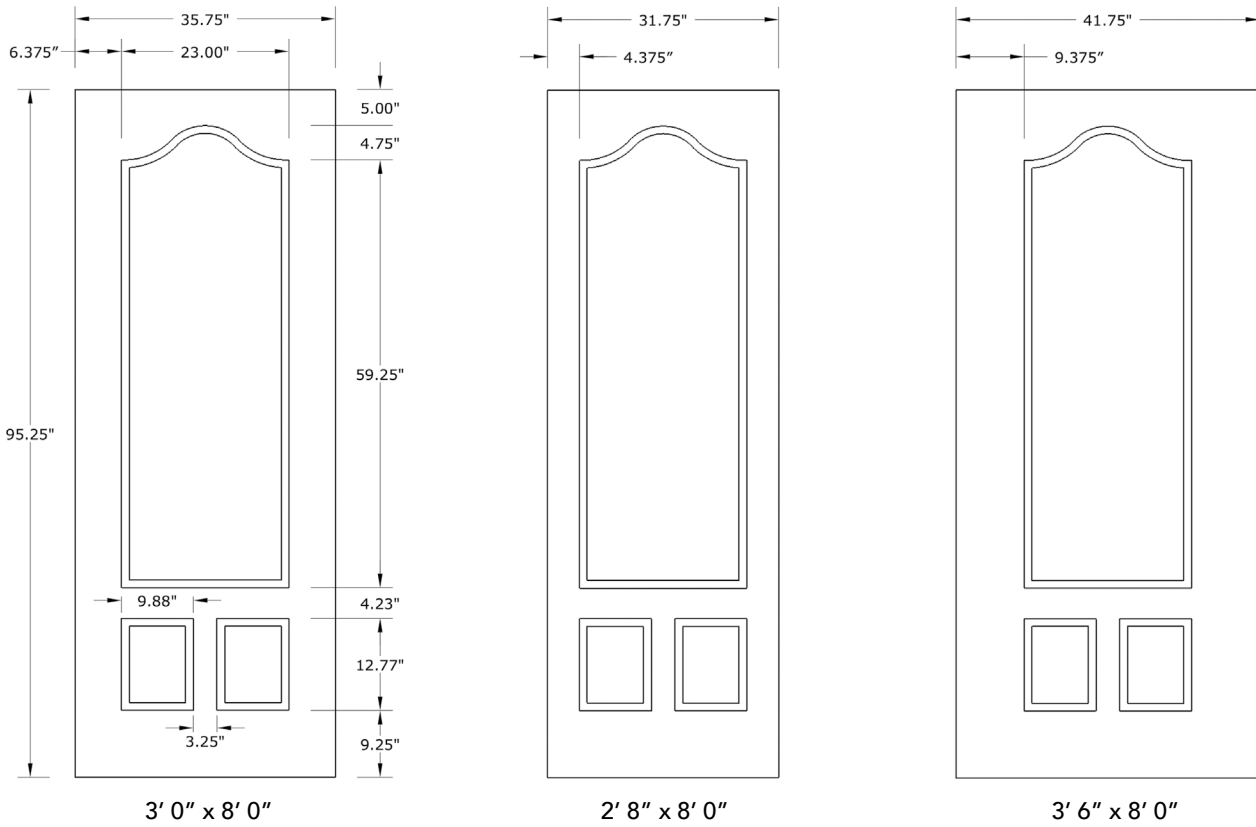
Available Widths:

- 1' 0"
- 1' 2"

Spec Page = 117

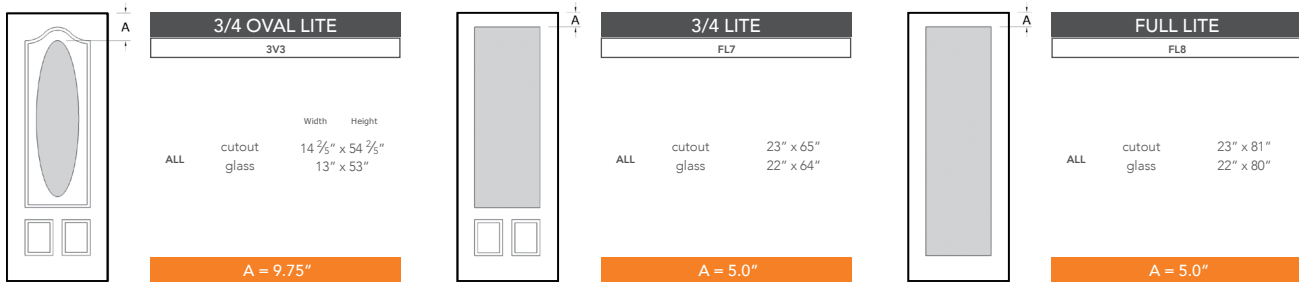
8'0" DRG3080 3/4 THREE PANEL DOOR

AVAILABLE SIZING



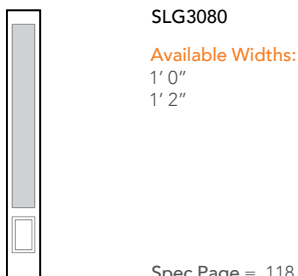
NOTE: BY REQUEST, DOOR HEIGHT COMES IN VARYING DIMENSIONS TO A MINIMUM OF 95". EXCESS WILL BE TAKEN FROM BOTTOM RAIL. ALL OTHER DIMENSIONS WILL REMAIN THE SAME.

CUTOUTS & GLASS



A = DISTANCE FROM TOP OF DOOR TO TOP OF CUTOUT

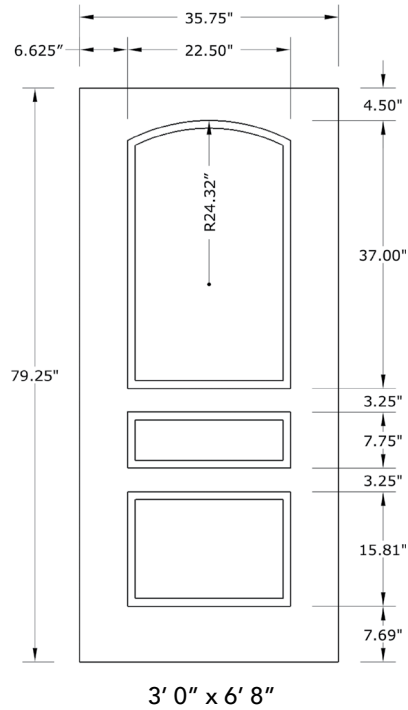
MATCHING SIDELITES



Spec Page = 118

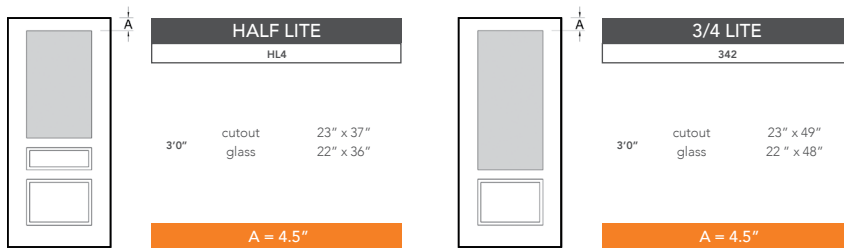
6'8" DRG31 THREE PANEL DOOR

AVAILABLE SIZING



NOTE: BY REQUEST, DOOR HEIGHT COMES IN VARYING DIMENSIONS TO A MINIMUM OF 79". EXCESS WILL BE TAKEN FROM BOTTOM RAIL. ALL OTHER DIMENSIONS WILL REMAIN THE SAME.

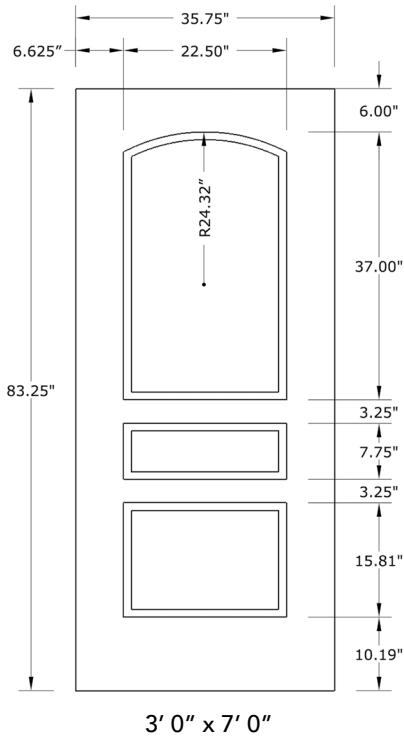
CUTOUTS & GLASS



A = DISTANCE FROM TOP OF DOOR TO TOP OF CUTOUT

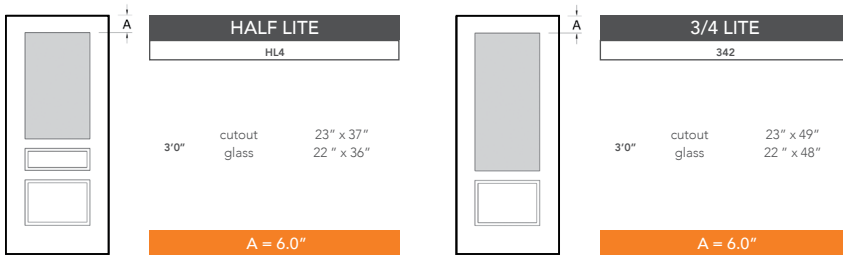
7'0" DRG3170 THREE PANEL DOOR

AVAILABLE SIZING



NOTE: BY REQUEST, DOOR HEIGHT COMES IN VARYING DIMENSIONS TO A MINIMUM OF 83". EXCESS WILL BE TAKEN FROM BOTTOM RAIL. ALL OTHER DIMENSIONS WILL REMAIN THE SAME.

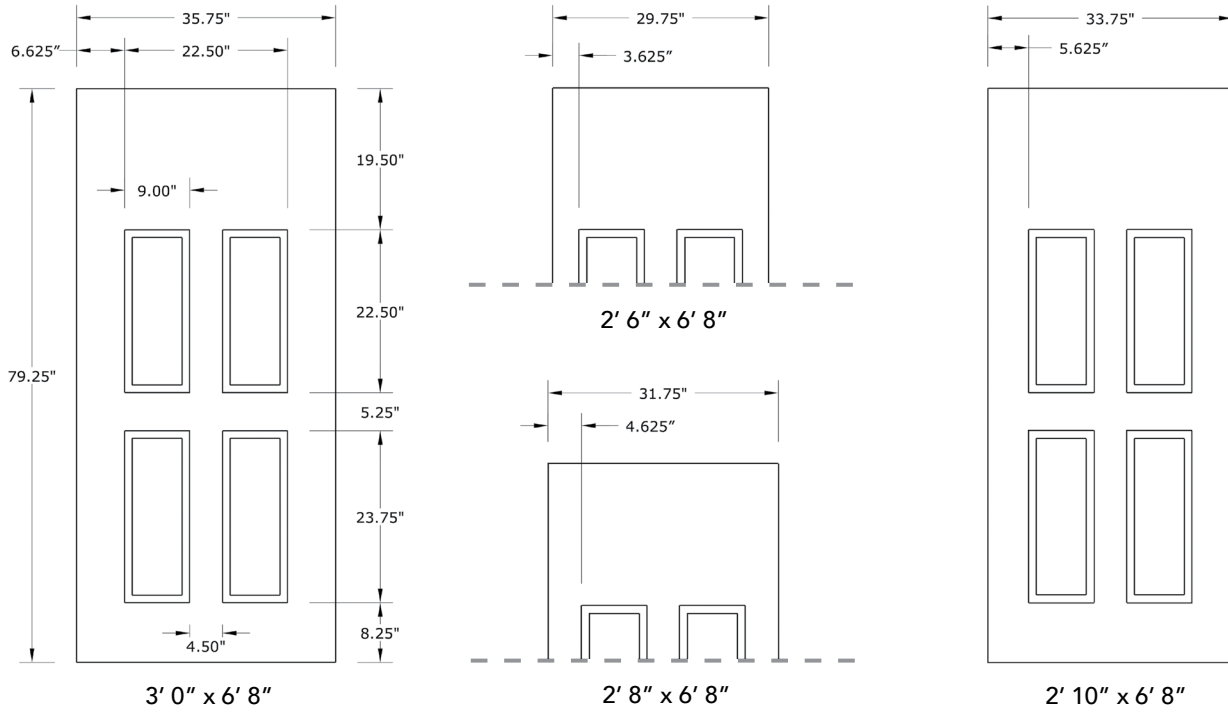
CUTOUTS & GLASS



A = DISTANCE FROM TOP OF DOOR TO TOP OF CUTOUT

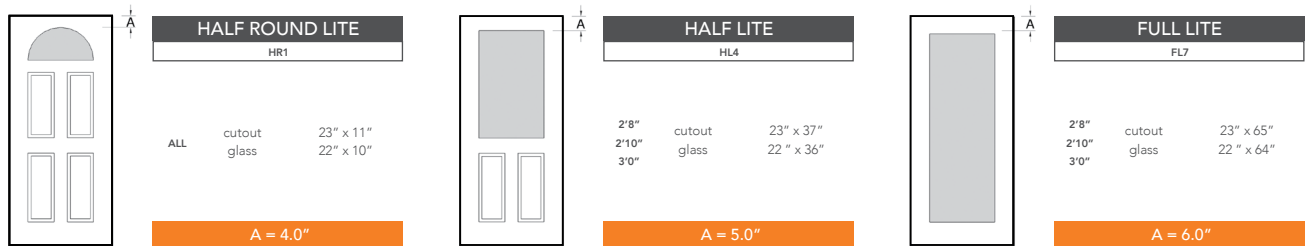
6'8" DRG40 FOUR PANEL BLANK TOP DOOR

AVAILABLE SIZING



NOTE: BY REQUEST, DOOR HEIGHT COMES IN VARYING DIMENSIONS TO A MINIMUM OF 79". EXCESS WILL BE TAKEN FROM BOTTOM RAIL. ALL OTHER DIMENSIONS WILL REMAIN THE SAME.

CUTOUTS & GLASS



A = DISTANCE FROM TOP OF DOOR TO TOP OF CUTOUT

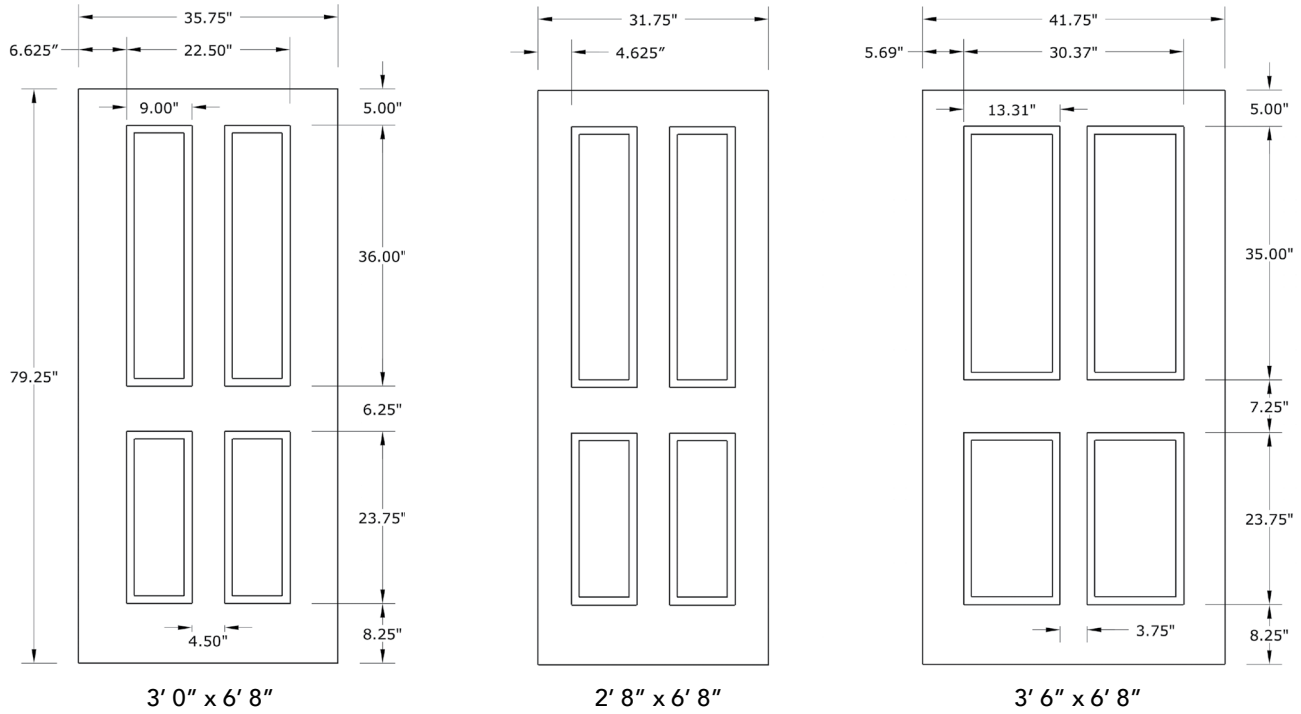
MATCHING SIDELITES



Spec Page = 121

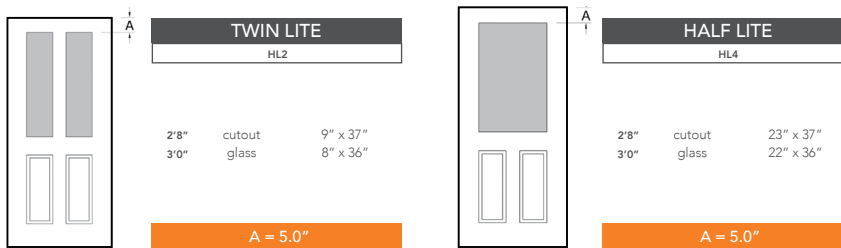
6'8" DRG41 TRUE FOUR PANEL DOOR

AVAILABLE SIZING



NOTE: BY REQUEST, DOOR HEIGHT COMES IN VARYING DIMENSIONS TO A MINIMUM OF 79". EXCESS WILL BE TAKEN FROM BOTTOM RAIL. ALL OTHER DIMENSIONS WILL REMAIN THE SAME.

CUTOUTS & GLASS



A = DISTANCE FROM TOP OF DOOR TO TOP OF CUTOUT

MATCHING SIDELITES



SLG60

Available Widths:

1' 0"

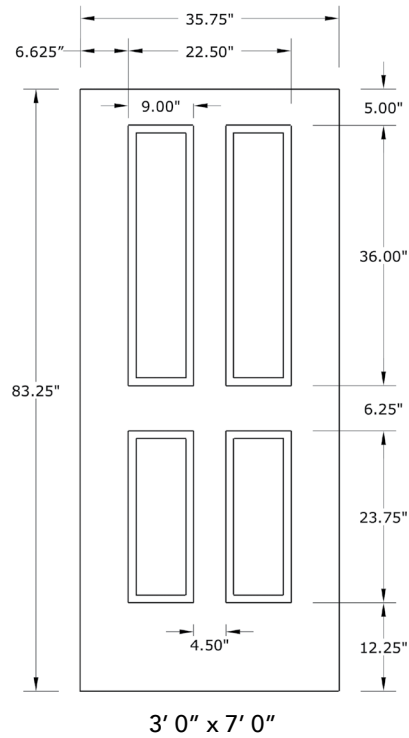
1' 2"

NOTE: DOES NOT MATCH WITH 3'6" x 6'8"

Spec Page = 121

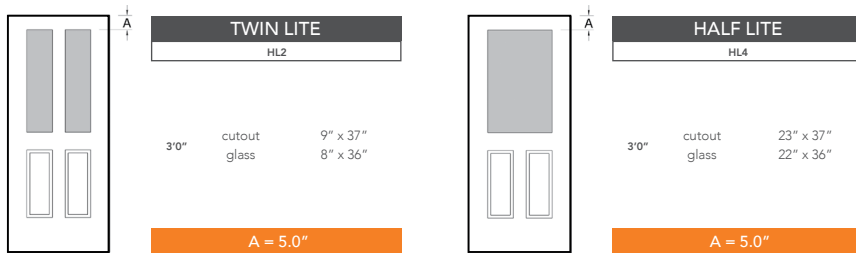
7'0" DRG4170 TRUE FOUR PANEL DOOR

AVAILABLE SIZING



NOTE: BY REQUEST, DOOR HEIGHT COMES IN VARYING DIMENSIONS TO A MINIMUM OF 83". EXCESS WILL BE TAKEN FROM BOTTOM RAIL. ALL OTHER DIMENSIONS WILL REMAIN THE SAME.

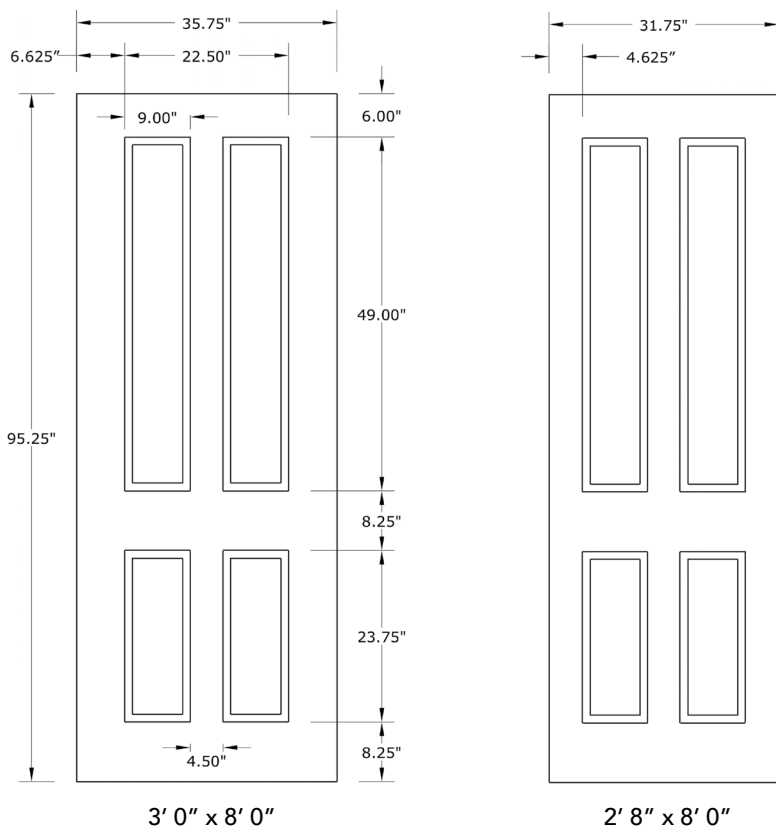
CUTOUTS & GLASS



A = DISTANCE FROM TOP OF DOOR TO TOP OF CUTOUT

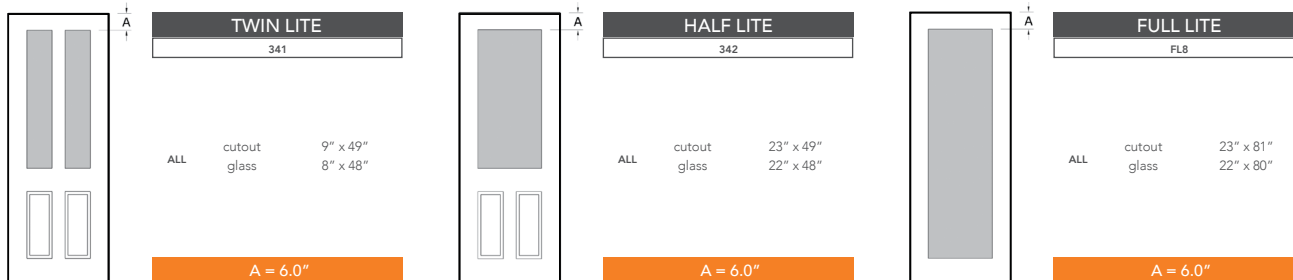
8'0" DRG4180 TRUE FOUR PANEL DOOR

AVAILABLE SIZING



NOTE: BY REQUEST, DOOR HEIGHT COMES IN VARYING DIMENSIONS TO A MINIMUM OF 95". EXCESS WILL BE TAKEN FROM BOTTOM RAIL. ALL OTHER DIMENSIONS WILL REMAIN THE SAME.

CUTOUTS & GLASS



A = DISTANCE FROM TOP OF DOOR TO TOP OF CUTOUT

MATCHING SIDELITES



SLG4180

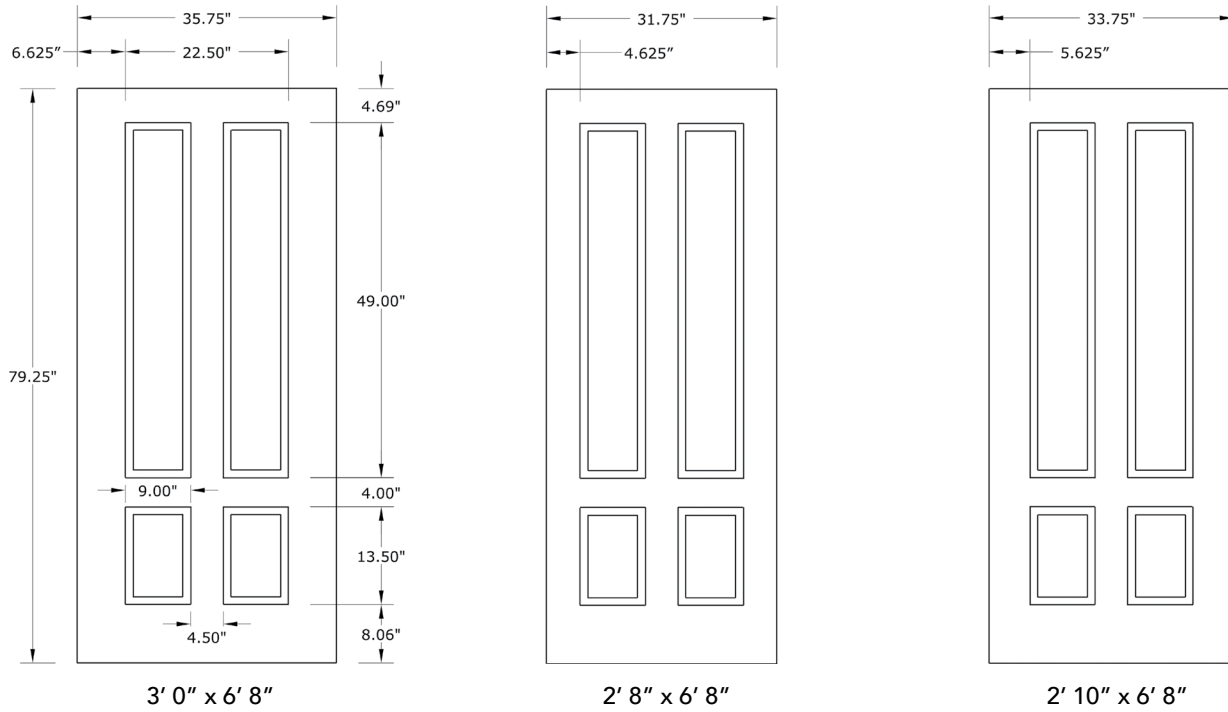
Available Widths:

- 1' 0"
- 1' 2"

Spec Page = 119

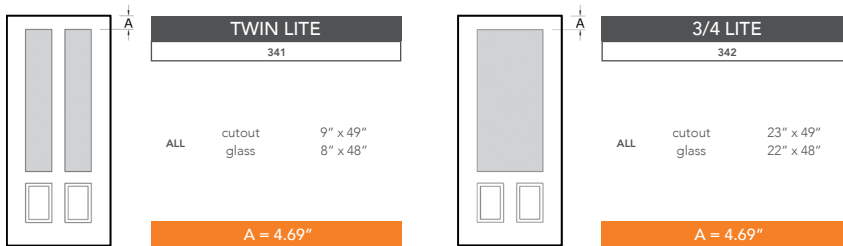
6'8" DRG49 3/4 FOUR PANEL DOOR

AVAILABLE SIZING



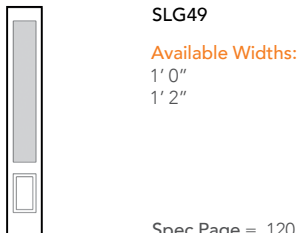
NOTE: BY REQUEST, DOOR HEIGHT COMES IN VARYING DIMENSIONS TO A MINIMUM OF 79". EXCESS WILL BE TAKEN FROM BOTTOM RAIL. ALL OTHER DIMENSIONS WILL REMAIN THE SAME.

CUTOUTS & GLASS



A = DISTANCE FROM TOP OF DOOR TO TOP OF CUTOUT

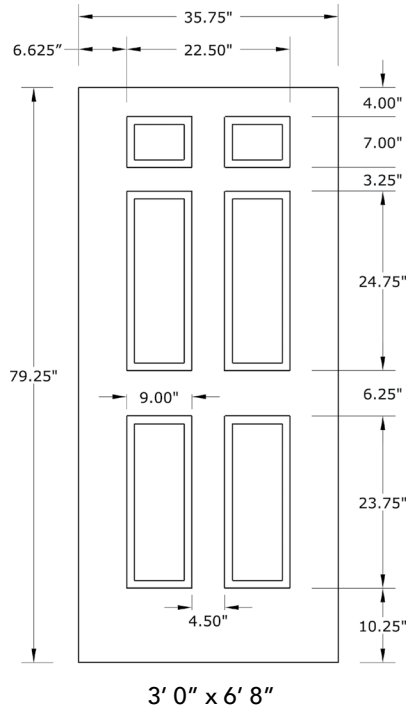
MATCHING SIDELITES



6'8" DRG6B SIX PANEL DOOR

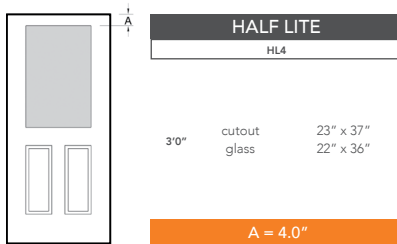
10" BOTTOM RAIL

AVAILABLE SIZING



NOTE: BY REQUEST, DOOR HEIGHT COMES IN VARYING DIMENSIONS TO A MINIMUM OF 79". EXCESS WILL BE TAKEN FROM BOTTOM RAIL. ALL OTHER DIMENSIONS WILL REMAIN THE SAME.

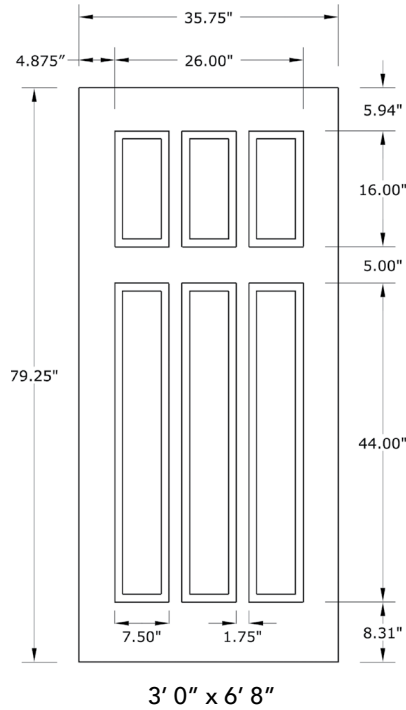
CUTOUTS & GLASS



A = DISTANCE FROM TOP OF DOOR TO TOP OF CUTOUT

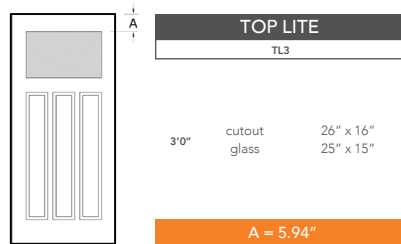
6'8" DRG6C SIX PANEL CRAFTSMAN DOOR

AVAILABLE SIZING



NOTE: BY REQUEST, DOOR HEIGHT COMES IN VARYING DIMENSIONS TO A MINIMUM OF 79". EXCESS WILL BE TAKEN FROM BOTTOM RAIL. ALL OTHER DIMENSIONS WILL REMAIN THE SAME.

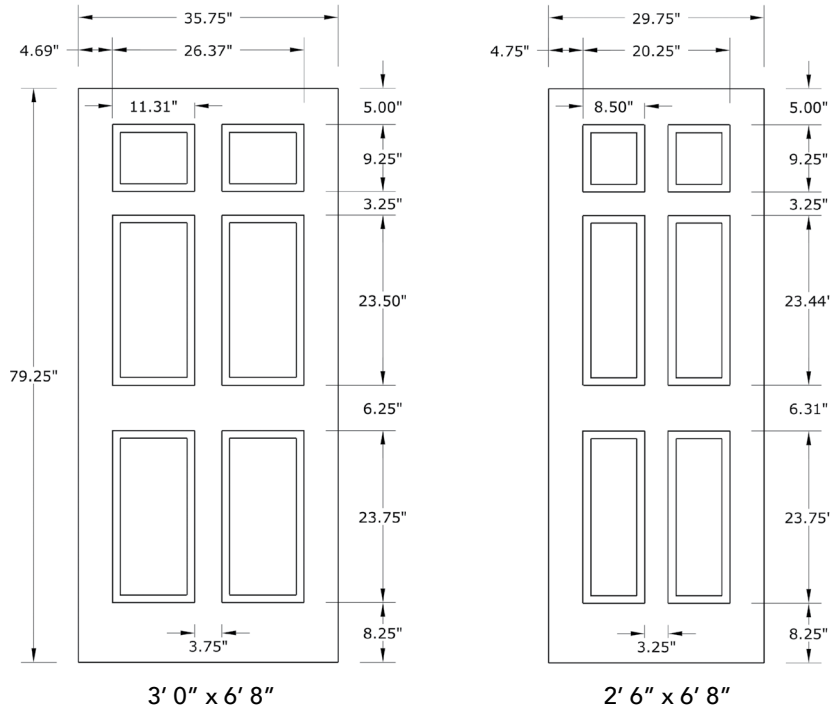
CUTOUTS & GLASS



A = DISTANCE FROM TOP OF DOOR TO TOP OF CUTOUT

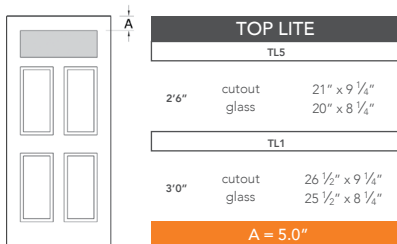
6'8" DRG60 SIX PANEL DOOR

AVAILABLE SIZING



NOTE: BY REQUEST, DOOR HEIGHT COMES IN VARYING DIMENSIONS TO A MINIMUM OF 79". EXCESS WILL BE TAKEN FROM BOTTOM RAIL. ALL OTHER DIMENSIONS WILL REMAIN THE SAME.

CUTOUTS & GLASS



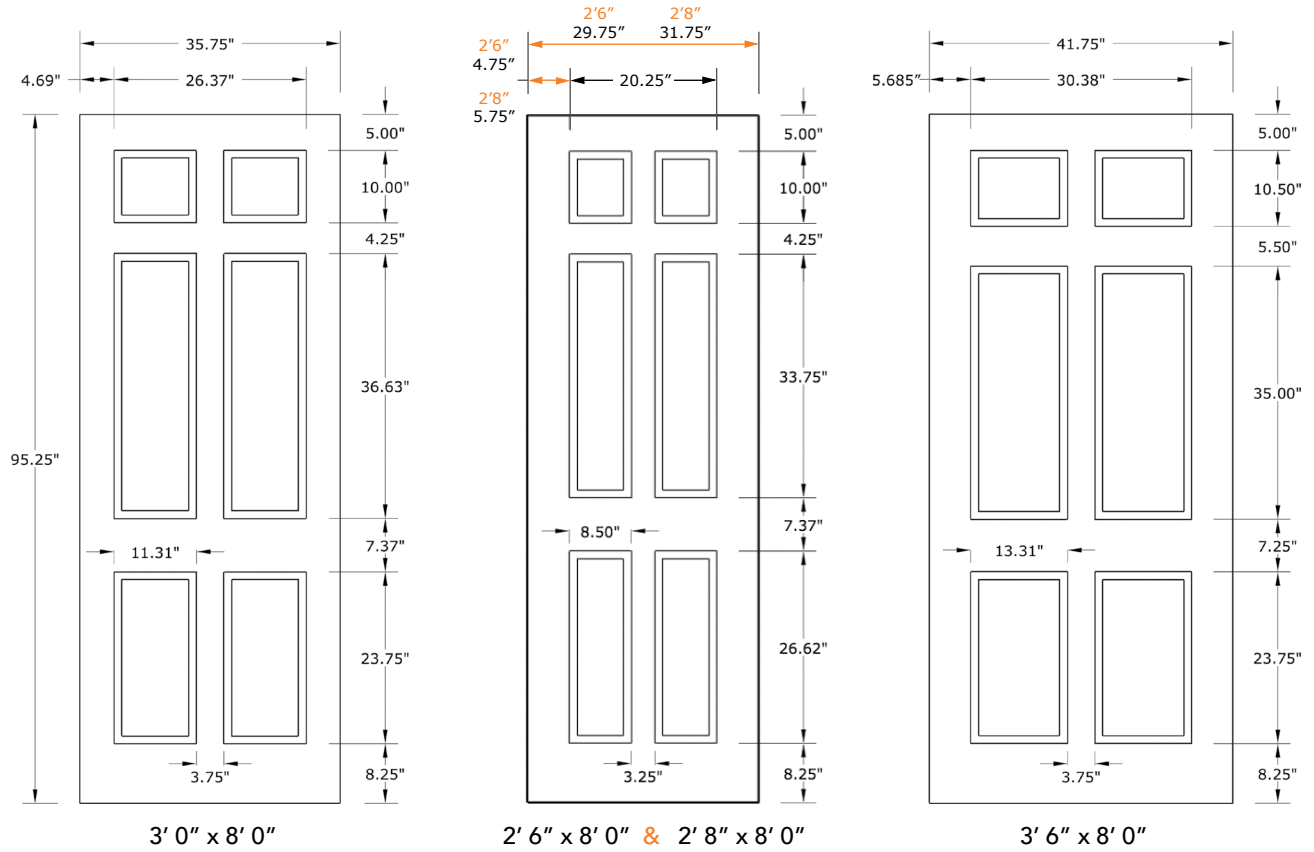
A = DISTANCE FROM TOP OF DOOR TO TOP OF CUTOUT

MATCHING SIDELITES



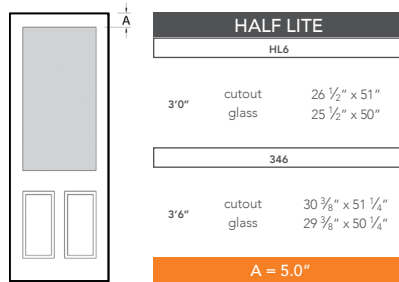
8'0" DRG6080 SIX PANEL DOOR

AVAILABLE SIZING



NOTE: BY REQUEST, DOOR HEIGHT COMES IN VARYING DIMENSIONS TO A MINIMUM OF 95". EXCESS WILL BE TAKEN FROM BOTTOM RAIL. ALL OTHER DIMENSIONS WILL REMAIN THE SAME.

CUTOUTS & GLASS



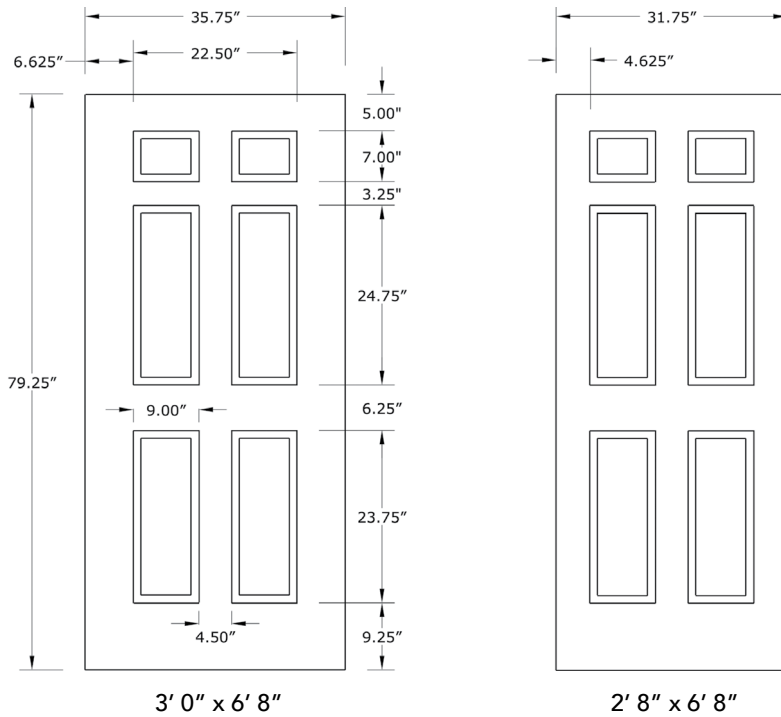
A = DISTANCE FROM TOP OF DOOR TO TOP OF CUTOUT

MATCHING SIDELITES



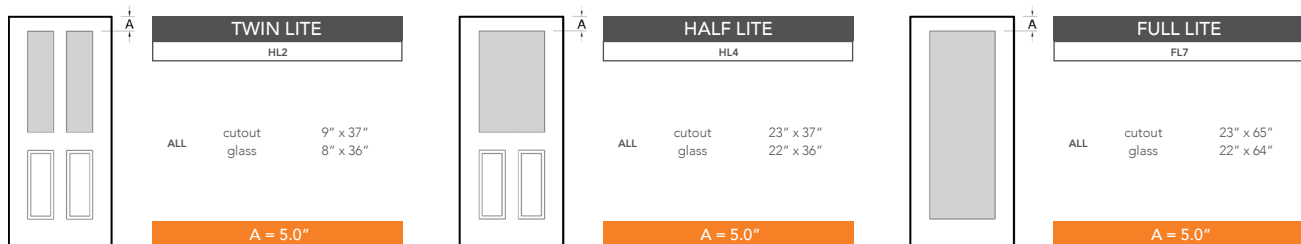
6'8" DRG61 SIX PANEL UTILITY DOOR

AVAILABLE SIZING



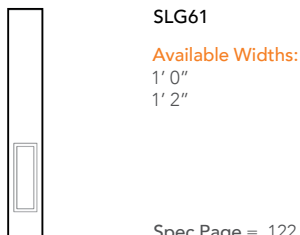
NOTE: BY REQUEST, DOOR HEIGHT COMES IN VARYING DIMENSIONS TO A MINIMUM OF 79". EXCESS WILL BE TAKEN FROM BOTTOM RAIL. ALL OTHER DIMENSIONS WILL REMAIN THE SAME.

CUTOUTS & GLASS



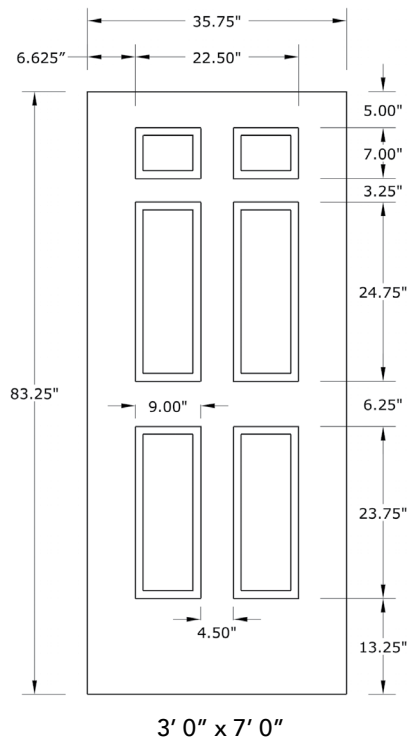
A = DISTANCE FROM TOP OF DOOR TO TOP OF CUTOUT

MATCHING SIDELITES



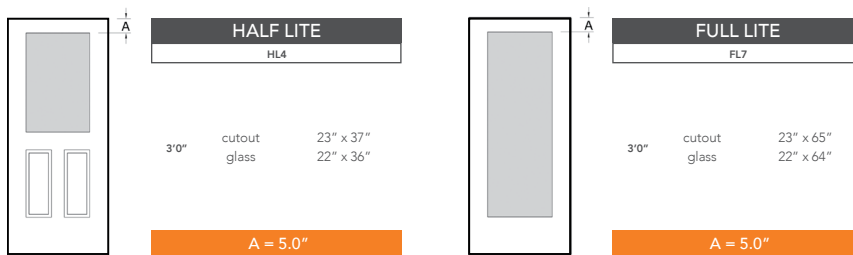
7'0" DRG6170 SIX PANEL UTILITY DOOR

AVAILABLE SIZING



NOTE: BY REQUEST, DOOR HEIGHT COMES IN VARYING DIMENSIONS TO A MINIMUM OF 83". EXCESS WILL BE TAKEN FROM BOTTOM RAIL. ALL OTHER DIMENSIONS WILL REMAIN THE SAME.

CUTOUTS & GLASS



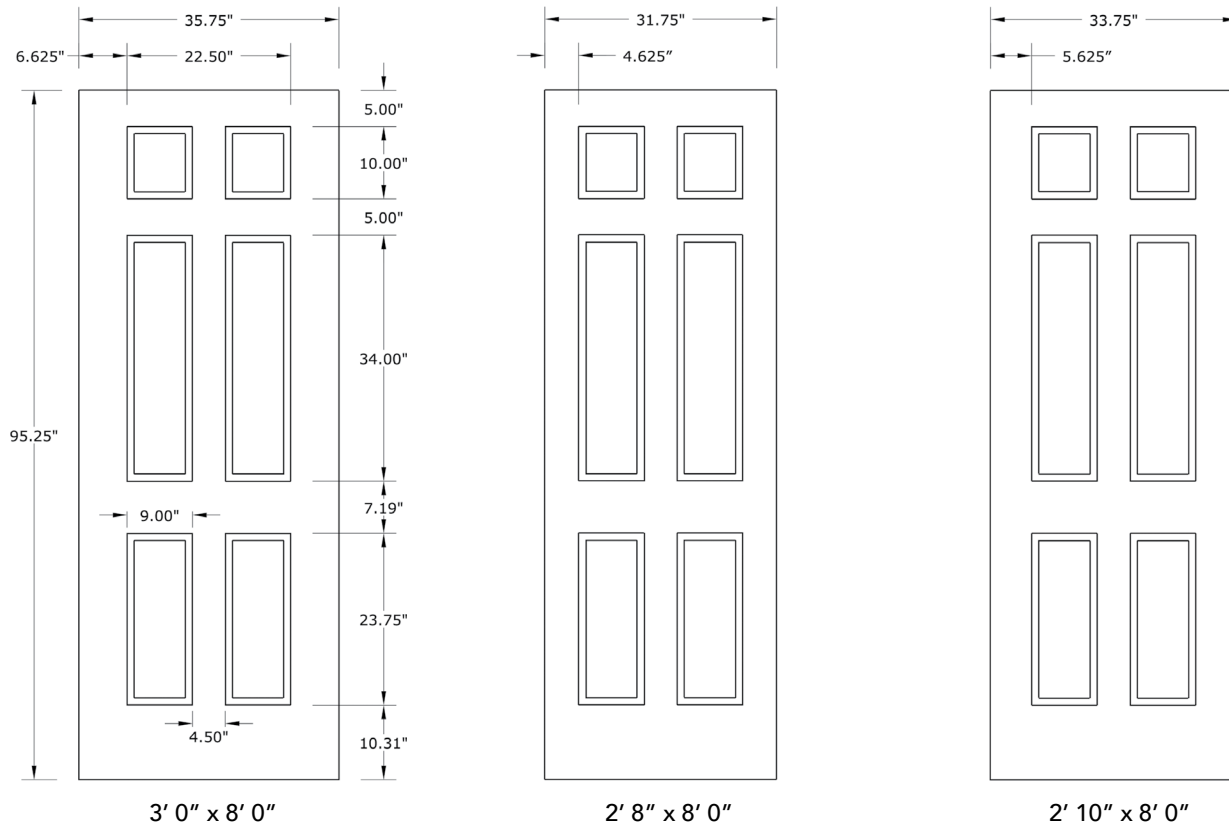
A = DISTANCE FROM TOP OF DOOR TO TOP OF CUTOUT

MATCHING SIDELITES



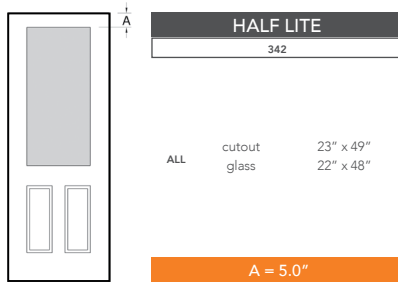
8'0" DRG6180 SIX PANEL UTILITY DOOR

AVAILABLE SIZING



NOTE: BY REQUEST, DOOR HEIGHT COMES IN VARYING DIMENSIONS TO A MINIMUM OF 95". EXCESS WILL BE TAKEN FROM BOTTOM RAIL. ALL OTHER DIMENSIONS WILL REMAIN THE SAME.

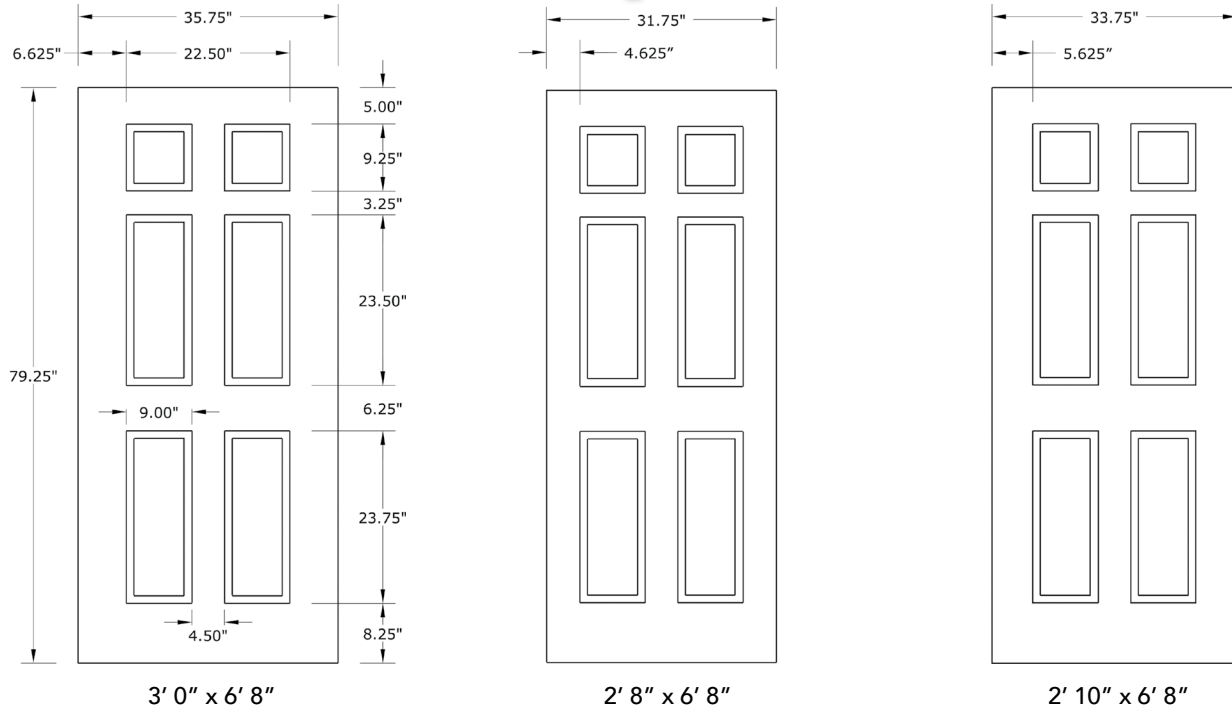
CUTOUTS & GLASS



A = DISTANCE FROM TOP OF DOOR TO TOP OF CUTOUT

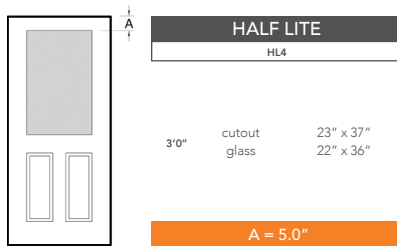
6'8" DRG63 TRUE SIX PANEL NARROW DOOR

AVAILABLE SIZING



NOTE: BY REQUEST, DOOR HEIGHT COMES IN VARYING DIMENSIONS TO A MINIMUM OF 79". EXCESS WILL BE TAKEN FROM BOTTOM RAIL. ALL OTHER DIMENSIONS WILL REMAIN THE SAME.

CUTOUTS & GLASS



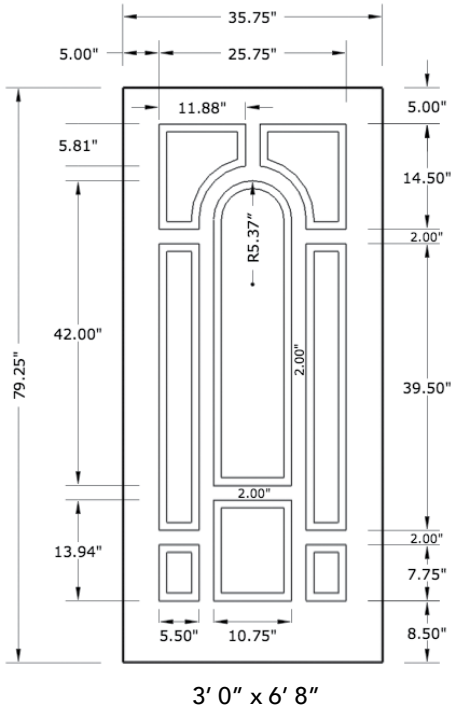
A = DISTANCE FROM TOP OF DOOR TO TOP OF CUTOUT

MATCHING SIDELITES



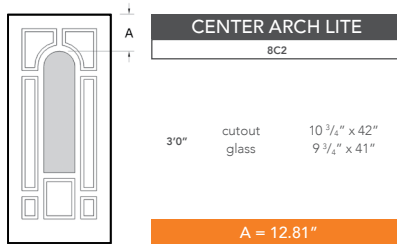
6'8" DRG80 EIGHT PANEL CENTER ARCH DOOR

AVAILABLE SIZING



NOTE: BY REQUEST, DOOR HEIGHT COMES IN VARYING DIMENSIONS TO A MINIMUM OF 79". EXCESS WILL BE TAKEN FROM BOTTOM RAIL. ALL OTHER DIMENSIONS WILL REMAIN THE SAME.

CUTOUTS & GLASS



A = DISTANCE FROM TOP OF DOOR TO TOP OF CUTOUT

MATCHING SIDELITES



SLG80

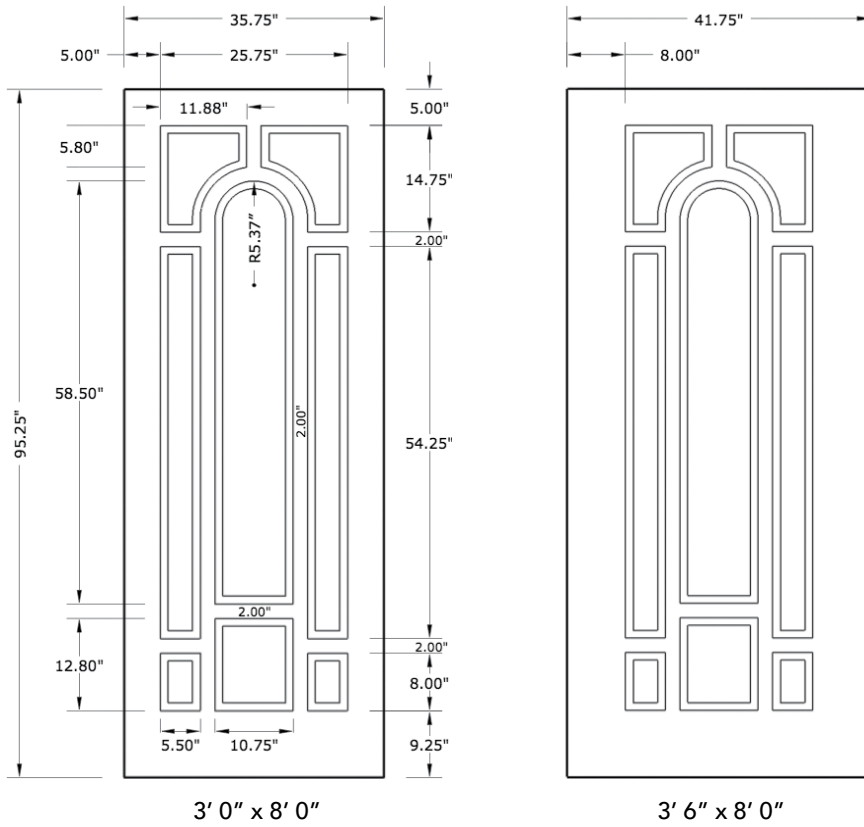
Available Widths:

- 1' 0"
- 1' 2"

Spec Page = 124

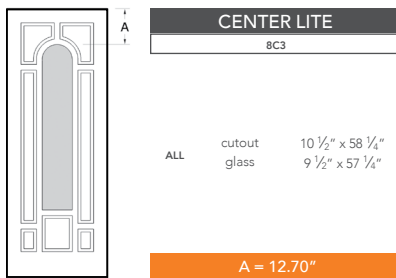
8'0" DRG8080 EIGHT PANEL CENTER ARCH DOOR

AVAILABLE SIZING



NOTE: BY REQUEST, DOOR HEIGHT COMES IN VARYING DIMENSIONS TO A MINIMUM OF 95". EXCESS WILL BE TAKEN FROM BOTTOM RAIL. ALL OTHER DIMENSIONS WILL REMAIN THE SAME.

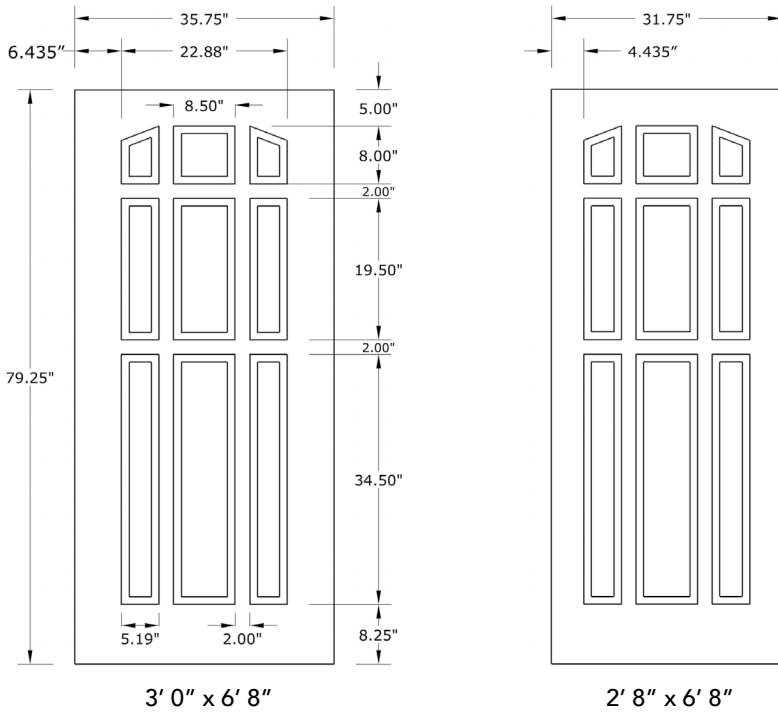
CUTOUTS & GLASS



A = DISTANCE FROM TOP OF DOOR TO TOP OF CUTOUT

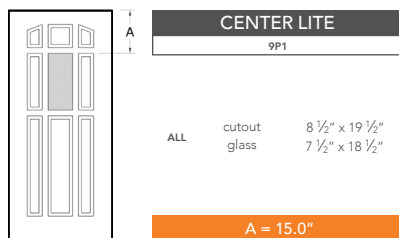
6'8" DRG90 NINE PANEL DOOR

AVAILABLE SIZING



NOTE: BY REQUEST, DOOR HEIGHT COMES IN VARYING DIMENSIONS TO A MINIMUM OF 79". EXCESS WILL BE TAKEN FROM BOTTOM RAIL. ALL OTHER DIMENSIONS WILL REMAIN THE SAME.

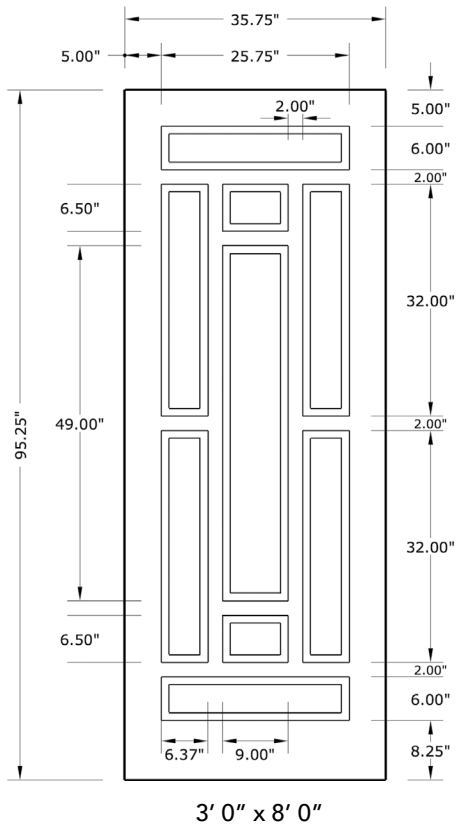
CUTOUTS & GLASS



A = DISTANCE FROM TOP OF DOOR TO TOP OF CUTOUT

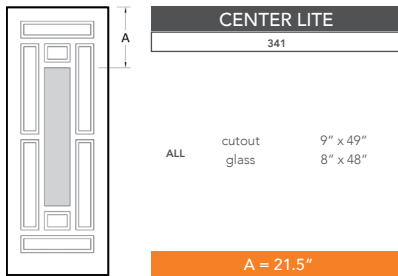
8'0" DRG9180 NINE PANEL DOOR

AVAILABLE SIZING



NOTE: BY REQUEST, DOOR HEIGHT COMES IN VARYING DIMENSIONS TO A MINIMUM OF 95". EXCESS WILL BE TAKEN FROM BOTTOM RAIL. ALL OTHER DIMENSIONS WILL REMAIN THE SAME.

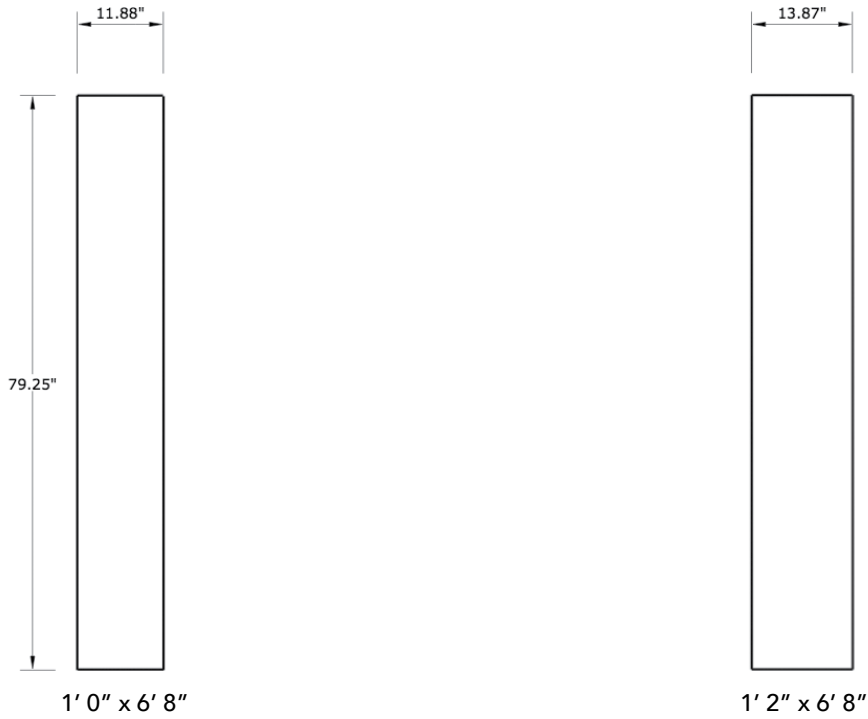
CUTOUTS & GLASS



A = DISTANCE FROM TOP OF DOOR TO TOP OF CUTOUT

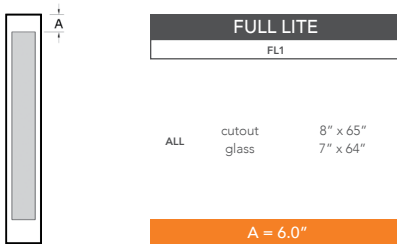
6'8" SLG00 FLUSH SIDELITE

AVAILABLE SIZING



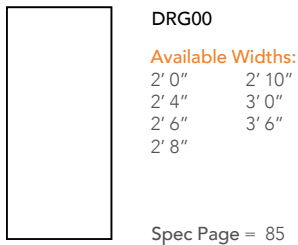
NOTE: BY REQUEST, SIDELITE HEIGHT COMES IN VARYING DIMENSIONS TO A MINIMUM OF 79". EXCESS WILL BE TAKEN FROM BOTTOM RAIL. ALL OTHER DIMENSIONS WILL REMAIN THE SAME.

CUTOUTS & GLASS



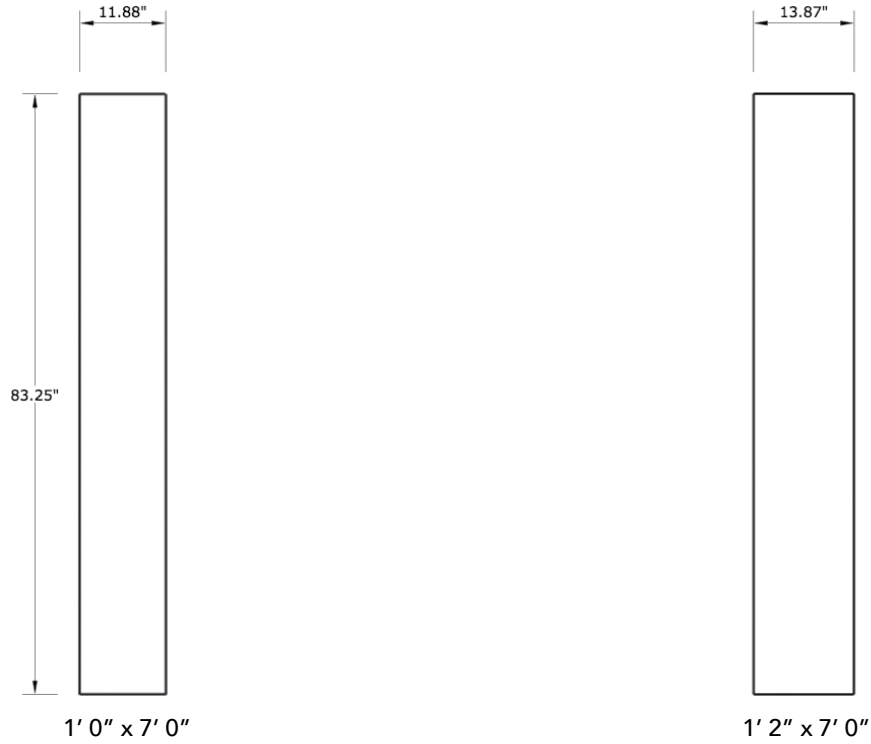
A = DISTANCE FROM TOP OF SIDELITE TO TOP OF CUTOUT

MATCHING DOORS



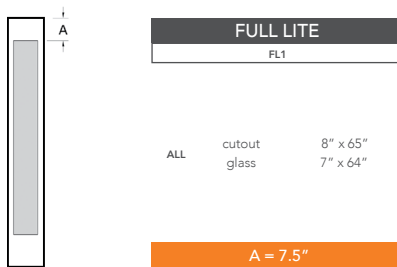
7'0" SLG0070 FLUSH SIDELITE

AVAILABLE SIZING



NOTE: BY REQUEST, SIDELITE HEIGHT COMES IN VARYING DIMENSIONS TO A MINIMUM OF 83". EXCESS WILL BE TAKEN FROM BOTTOM RAIL. ALL OTHER DIMENSIONS WILL REMAIN THE SAME.

CUTOUTS & GLASS



A = DISTANCE FROM TOP OF SIDELITE TO TOP OF CUTOUT

MATCHING DOORS



DRG0070

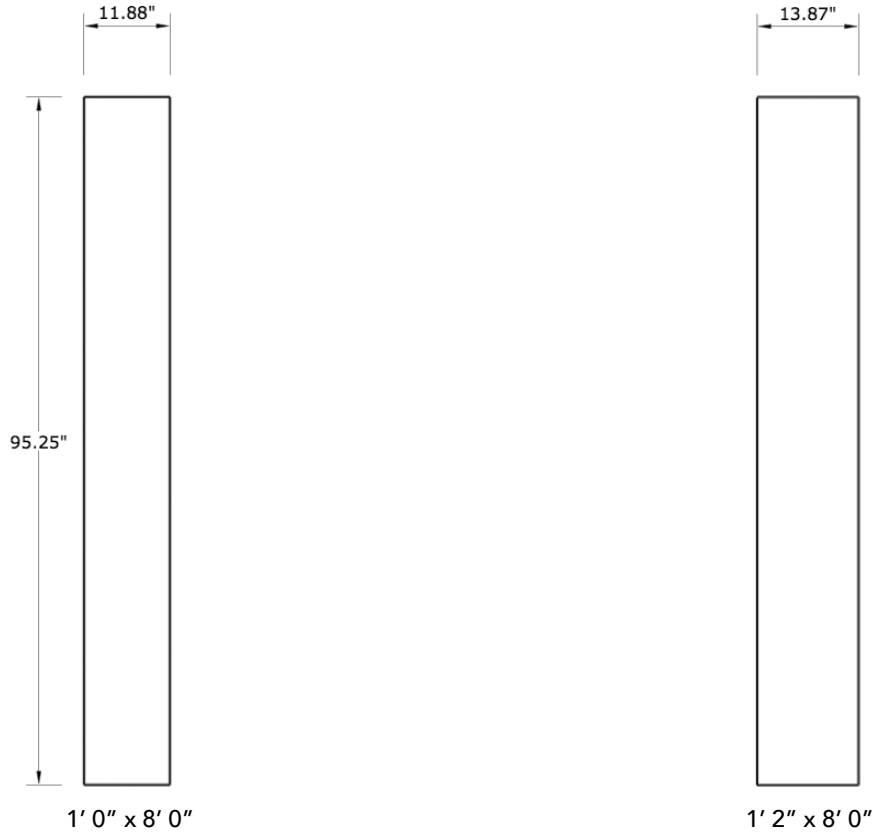
Available Widths:

- 2' 0" 2' 10"
- 2' 4" 3' 0"
- 2' 6" 3' 6"
- 2' 8"

Spec Page = 86

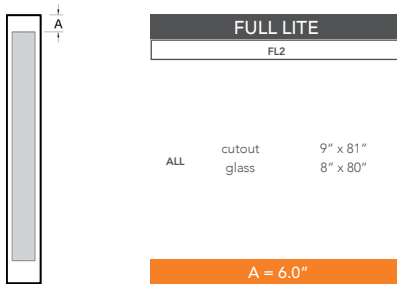
8'0" SLG0080 FLUSH SIDELITE

AVAILABLE SIZING



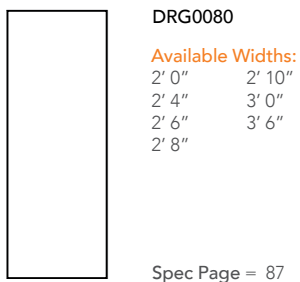
NOTE: BY REQUEST, SIDELITE HEIGHT COMES IN VARYING DIMENSIONS TO A MINIMUM OF 95". EXCESS WILL BE TAKEN FROM BOTTOM RAIL. ALL OTHER DIMENSIONS WILL REMAIN THE SAME.

CUTOUTS & GLASS



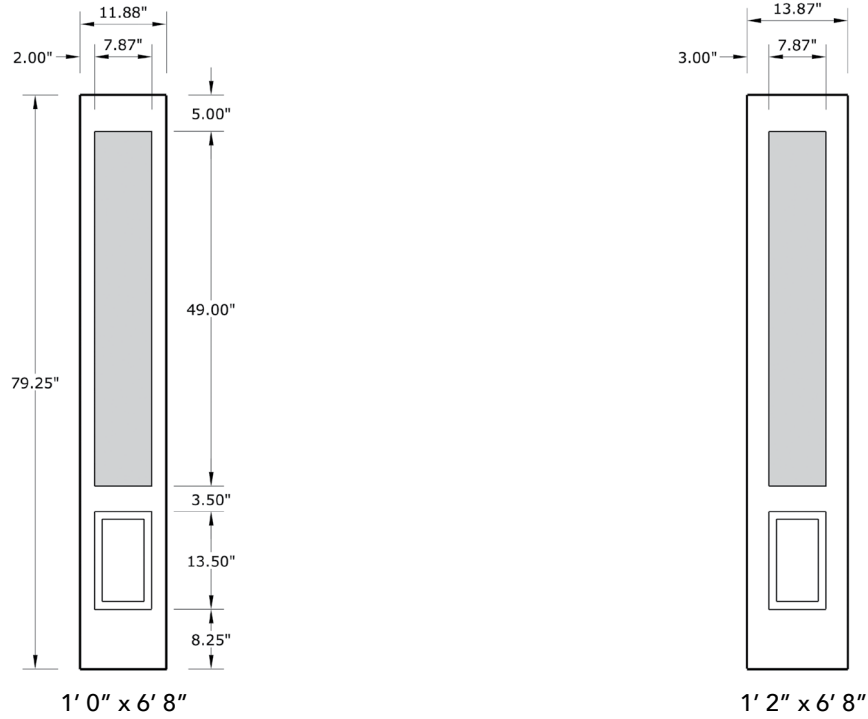
A = DISTANCE FROM TOP OF SIDELITE TO TOP OF CUTOUT

MATCHING DOORS



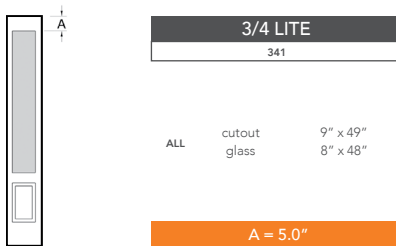
6'8" SLG3E 3/4 ELITE SIDELITE

AVAILABLE SIZING



NOTE: BY REQUEST, SIDELITE HEIGHT COMES IN VARYING DIMENSIONS TO A MINIMUM OF 79". EXCESS WILL BE TAKEN FROM BOTTOM RAIL. ALL OTHER DIMENSIONS WILL REMAIN THE SAME.

CUTOUTS & GLASS



A = DISTANCE FROM TOP OF SIDELITE TO TOP OF CUTOUT

MATCHING DOORS



DRG20

Available Widths:
3' 0"

Spec Page = 88



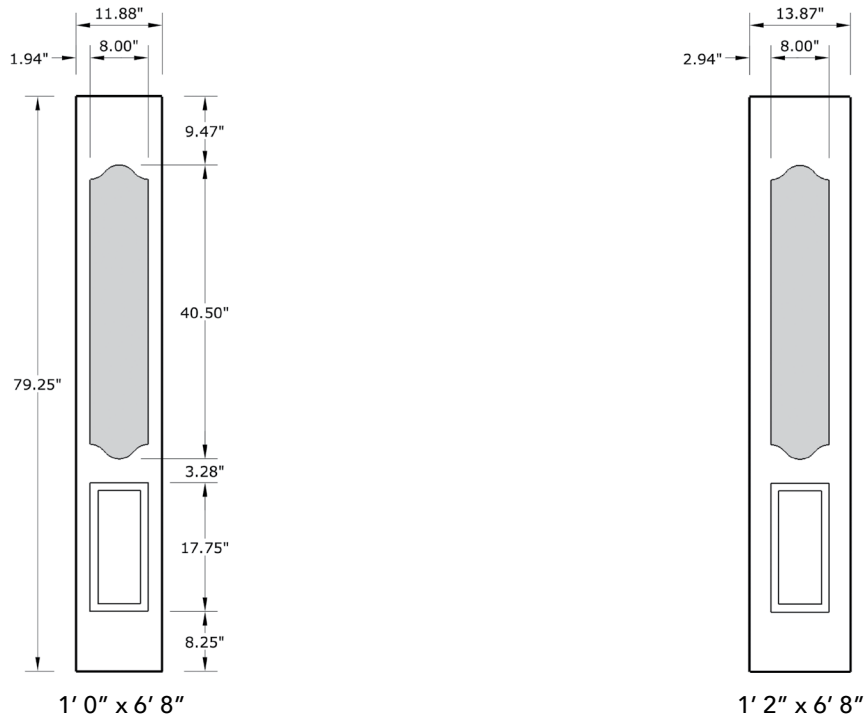
DRG3E

Available Widths:
3' 0"

Spec Page = 91

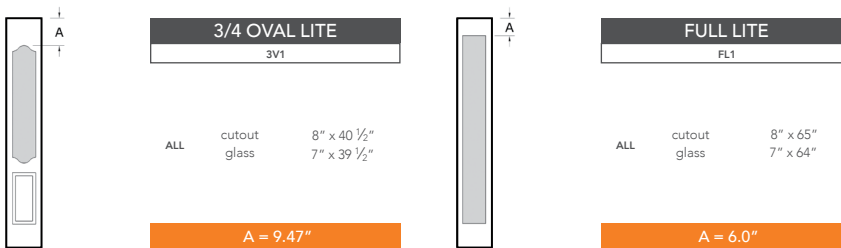
6'8" SLG3P 3/4 PREMIUM SIDELITE

AVAILABLE SIZING



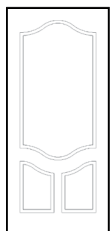
NOTE: BY REQUEST, SIDELITE HEIGHT COMES IN VARYING DIMENSIONS TO A MINIMUM OF 79". EXCESS WILL BE TAKEN FROM BOTTOM RAIL. ALL OTHER DIMENSIONS WILL REMAIN THE SAME.

CUTOUTS & GLASS



A = DISTANCE FROM TOP OF SIDELITE TO TOP OF CUTOUT

MATCHING DOORS

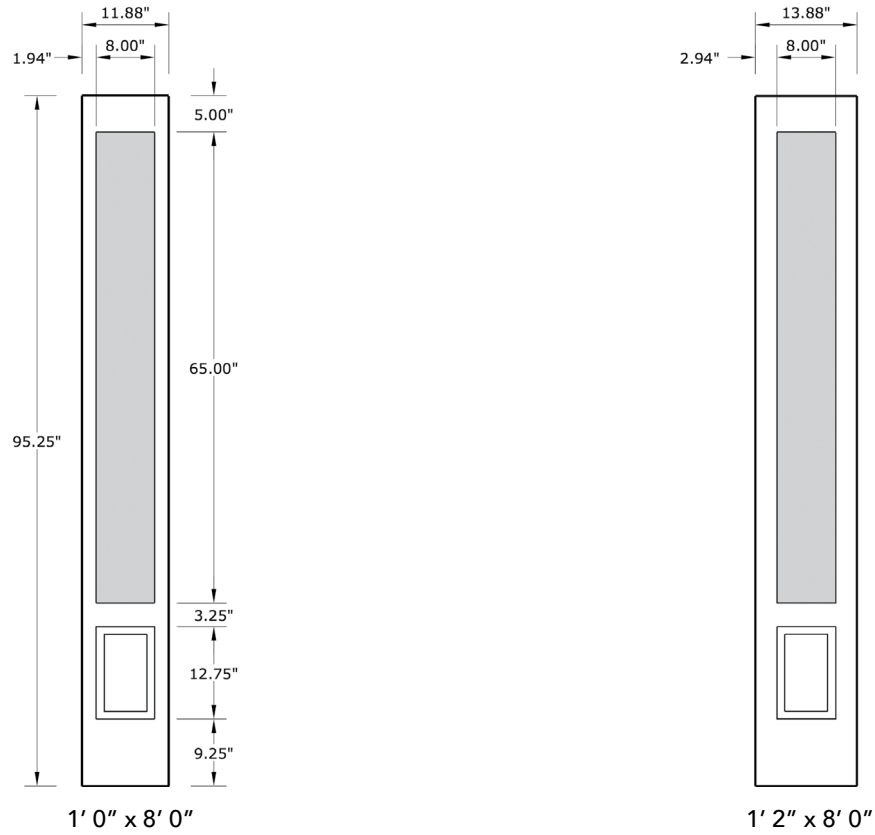


DRG3P
Available Widths:
3' 0"

Spec Page = 92

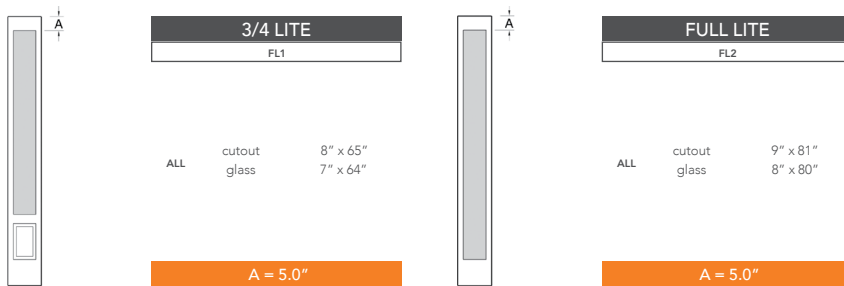
8'0" SLG3080 3/4 THREE PANEL SIDELITE

AVAILABLE SIZING



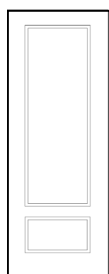
NOTE: BY REQUEST, SIDELITE HEIGHT COMES IN VARYING DIMENSIONS TO A MINIMUM OF 95". EXCESS WILL BE TAKEN FROM BOTTOM RAIL. ALL OTHER DIMENSIONS WILL REMAIN THE SAME.

CUTOUTS & GLASS



A = DISTANCE FROM TOP OF SIDELITE TO TOP OF CUTOUT

MATCHING DOORS

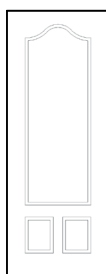


DRG2980

Available Widths:

- 2' 8"
- 2' 10"
- 3' 0"

Spec Page = 90



DRG3080

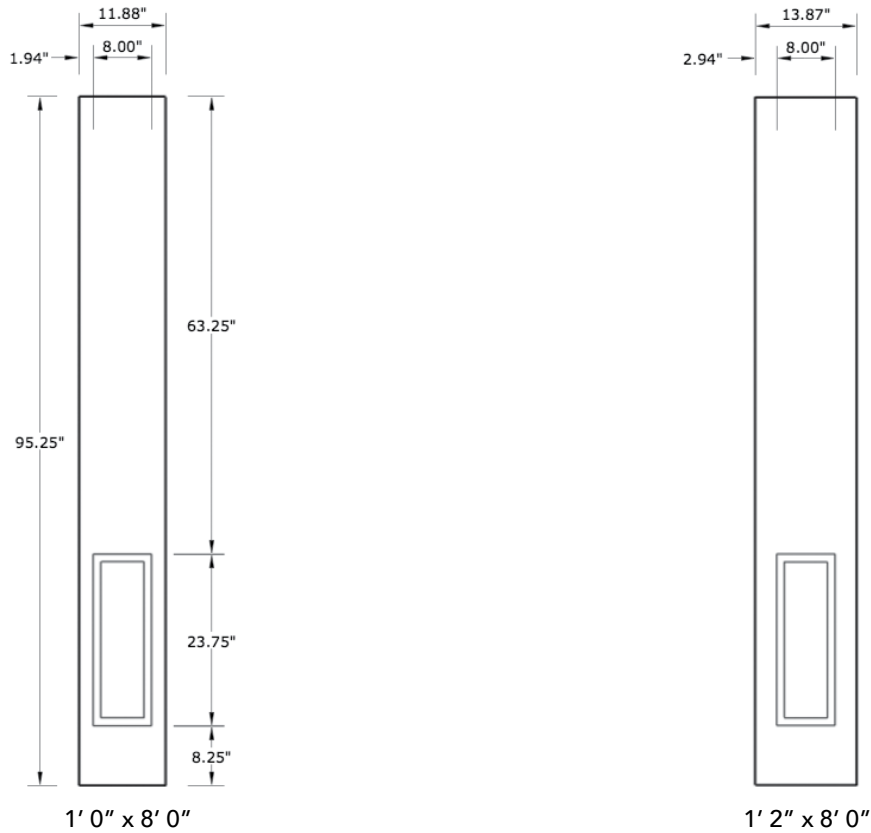
Available Widths:

- 2' 8"
- 3' 0"
- 3' 6"

Spec Page = 93

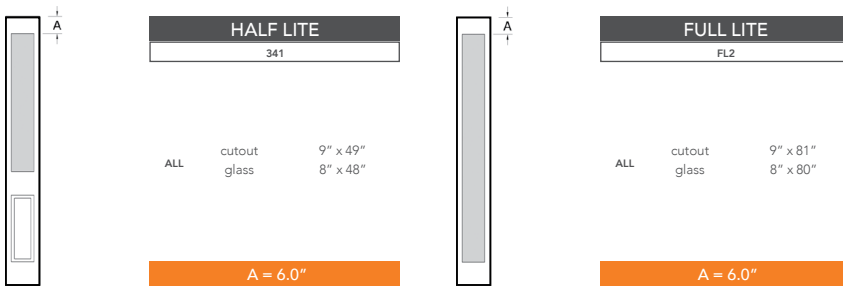
8'0" SLG4180 FOUR PANEL SIDELITE

AVAILABLE SIZING



NOTE: BY REQUEST, SIDELITE HEIGHT COMES IN VARYING DIMENSIONS TO A MINIMUM OF 95". EXCESS WILL BE TAKEN FROM BOTTOM RAIL. ALL OTHER DIMENSIONS WILL REMAIN THE SAME.

CUTOUTS & GLASS



A = DISTANCE FROM TOP OF SIDELITE TO TOP OF CUTOUT

MATCHING DOORS

DRG4180

Available Widths:
2' 8"
2' 10"
3' 0"

Spec Page = 99

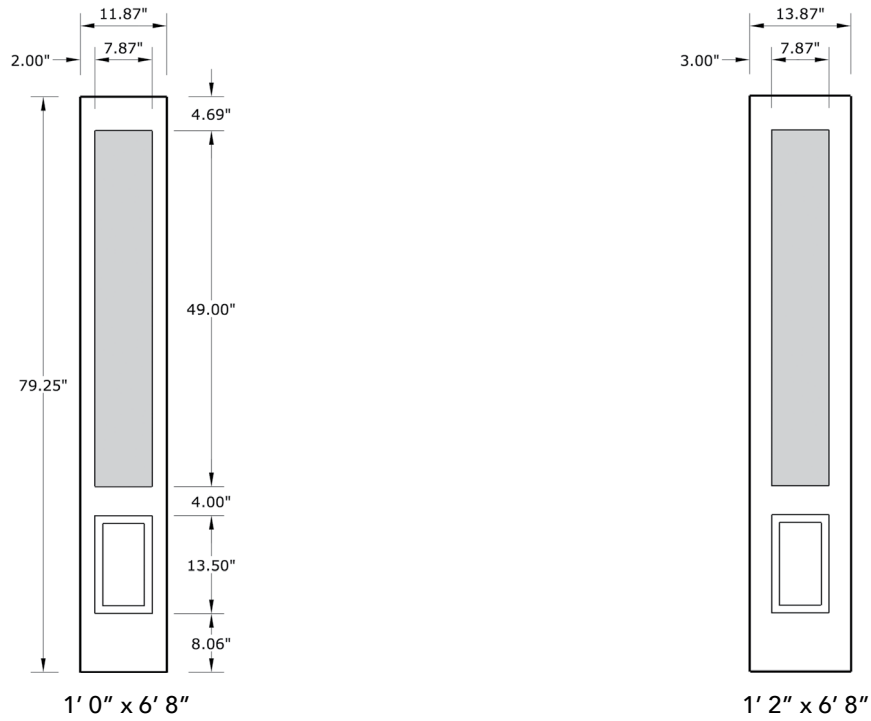
DRG6080

Available Widths:
2' 6"
2' 8"
3' 0"
3' 6"

Spec Page = 104

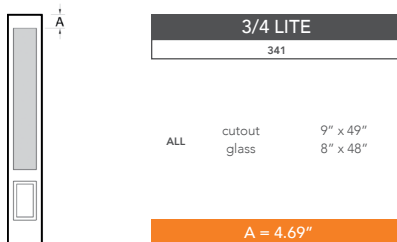
6'8" SLG49 3/4 FOUR PANEL SIDELITE

AVAILABLE SIZING



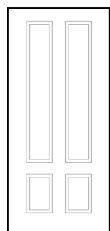
NOTE: BY REQUEST, SIDELITE HEIGHT COMES IN VARYING DIMENSIONS TO A MINIMUM OF 79". EXCESS WILL BE TAKEN FROM BOTTOM RAIL. ALL OTHER DIMENSIONS WILL REMAIN THE SAME.

CUTOUTS & GLASS



A = DISTANCE FROM TOP OF SIDELITE TO TOP OF CUTOUT

MATCHING DOORS



DRG49

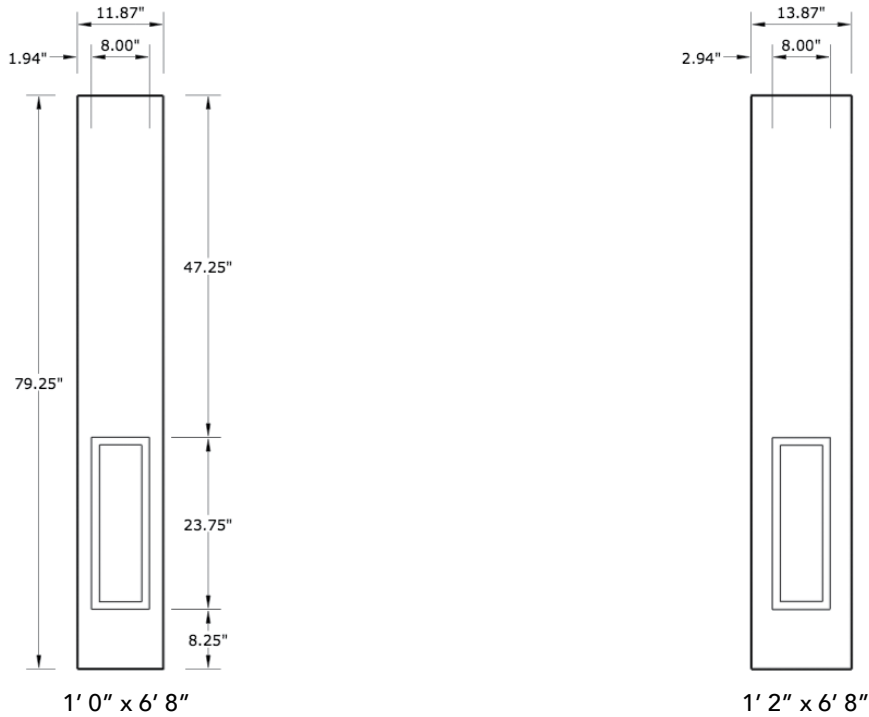
Available Widths:

- 2' 8"
- 2' 10"
- 3' 0"

Spec Page = 100

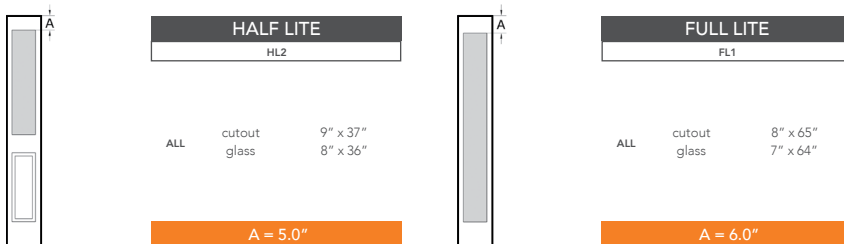
6'8" SLG60 SIX PANEL SIDELITE

AVAILABLE SIZING



NOTE: BY REQUEST, SIDELITE HEIGHT COMES IN VARYING DIMENSIONS TO A MINIMUM OF 79". EXCESS WILL BE TAKEN FROM BOTTOM RAIL. ALL OTHER DIMENSIONS WILL REMAIN THE SAME.

CUTOUTS & GLASS



A = DISTANCE FROM TOP OF SIDELITE TO TOP OF CUTOUT

MATCHING DOORS

DRG40
Available Widths:
 2' 6"
 2' 8"
 2' 10"
 3' 0"
 Spec Page = 96

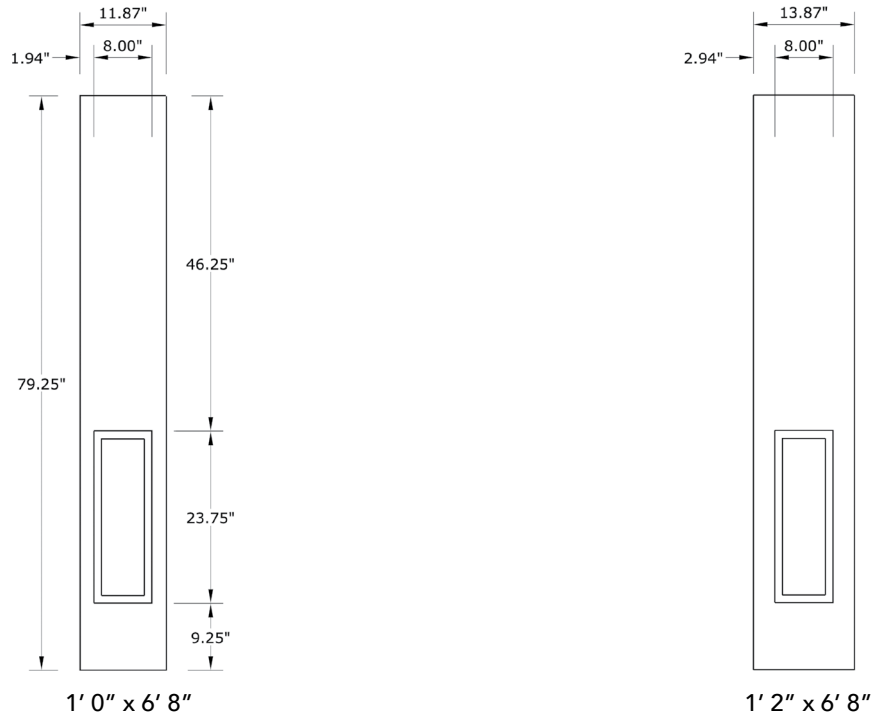
DRG41
Available Widths:
 2' 8"
 2' 10"
 3' 0"
 Spec Page = 97

DRG60
Available Widths:
 2' 6"
 3' 0"
 Spec Page = 103

DRG63
Available Widths:
 2' 6"
 3' 0"
 Spec Page = 108

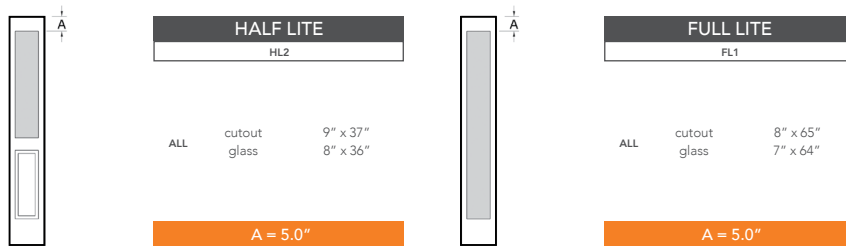
6'8" SLG61 SIX PANEL UTILITY SIDELITE

AVAILABLE SIZING



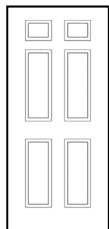
NOTE: BY REQUEST, SIDELITE HEIGHT COMES IN VARYING DIMENSIONS TO A MINIMUM OF 79". EXCESS WILL BE TAKEN FROM BOTTOM RAIL. ALL OTHER DIMENSIONS WILL REMAIN THE SAME.

CUTOUTS & GLASS



A = DISTANCE FROM TOP OF SIDELITE TO TOP OF CUTOUT

MATCHING DOORS



DRG61

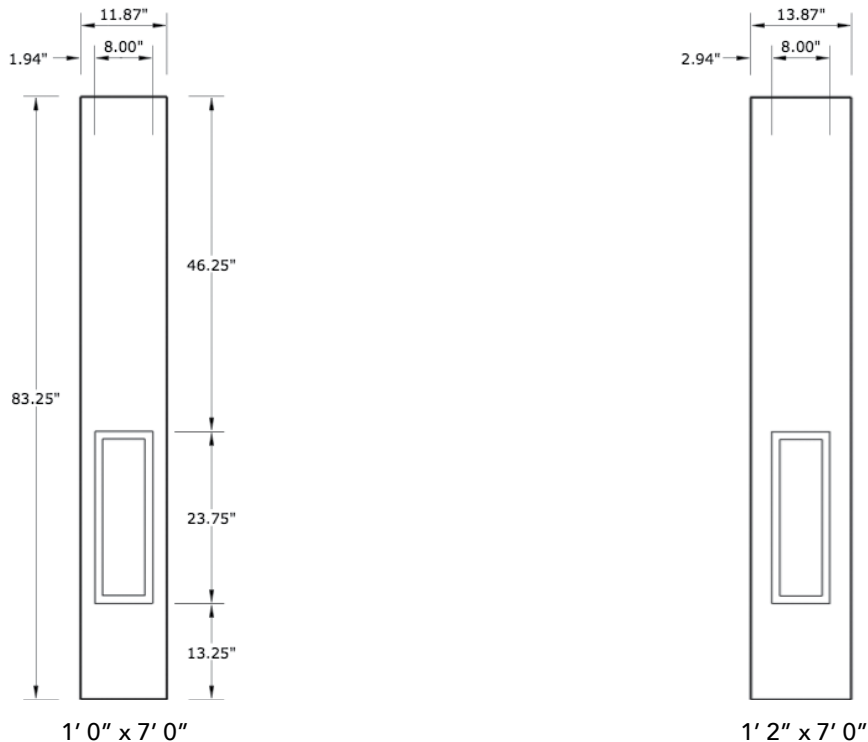
Available Widths:

- 2' 8"
- 2' 10"
- 3' 0"

Spec Page = 105

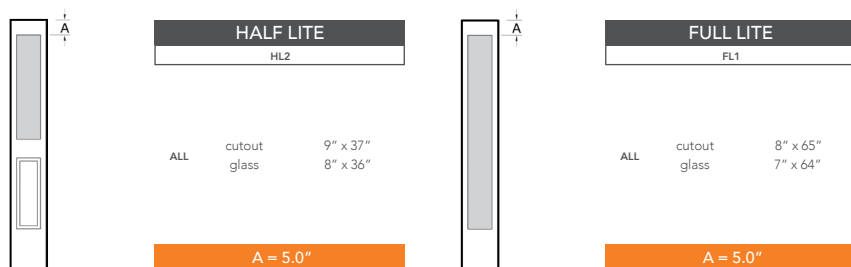
7'0" SLG6170 SIX PANEL UTILITY SIDELITE

AVAILABLE SIZING



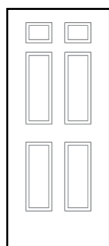
NOTE: BY REQUEST, SIDELITE HEIGHT COMES IN VARYING DIMENSIONS TO A MINIMUM OF 83". EXCESS WILL BE TAKEN FROM BOTTOM RAIL. ALL OTHER DIMENSIONS WILL REMAIN THE SAME.

CUTOUTS & GLASS



A = DISTANCE FROM TOP OF SIDELITE TO TOP OF CUTOUT

MATCHING DOORS



DRG6170

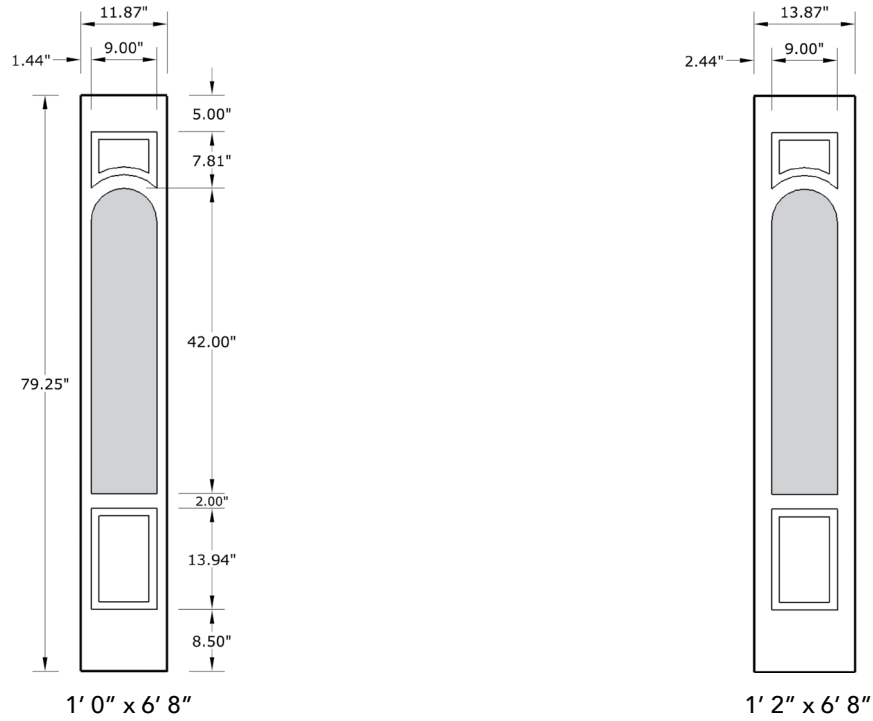
Available Widths:

- 2' 8"
- 2' 10"
- 3' 0"

Spec Page = 106

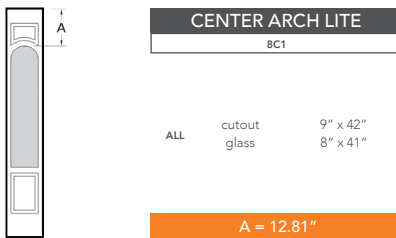
6'8" SLG80 EIGHT PANEL SIDELITE

AVAILABLE SIZING



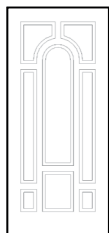
NOTE: BY REQUEST, SIDELITE HEIGHT COMES IN VARYING DIMENSIONS TO A MINIMUM OF 79". EXCESS WILL BE TAKEN FROM BOTTOM RAIL. ALL OTHER DIMENSIONS WILL REMAIN THE SAME.

CUTOUTS & GLASS



A = DISTANCE FROM TOP OF SIDELITE TO TOP OF CUTOUT

MATCHING DOORS



DRG80

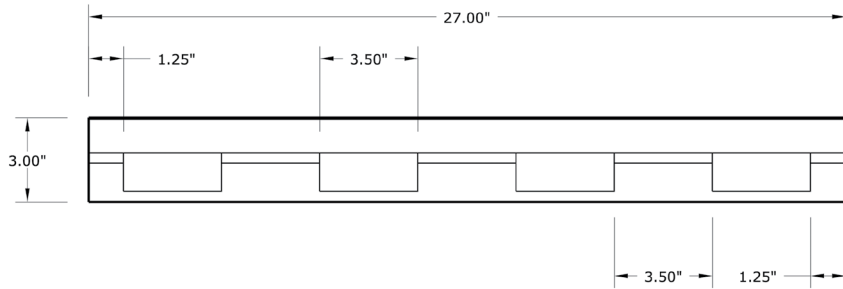
Available Widths:
3' 0"

Spec Page = 109

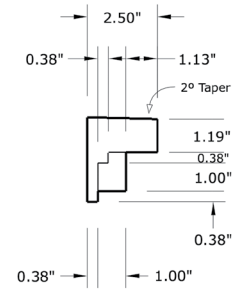
DENTIL SHELVES

ACCESSORY DIMENSIONS

ACDSGT2704 4 BLOCK DENTIL SHELF



Front Profile

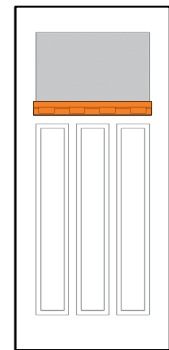


Side Profile

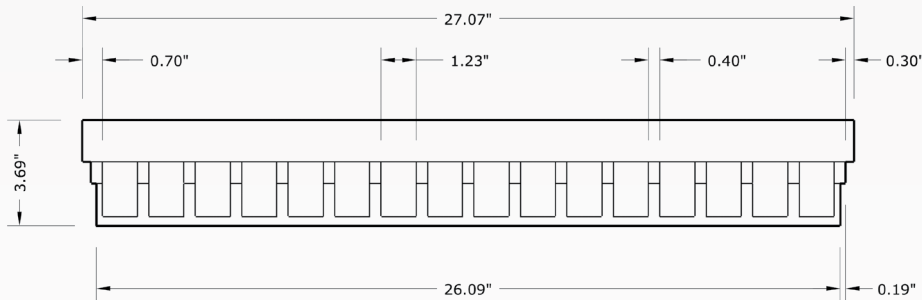
ACCESSORY INFO

Parts Per Set: 1
4 Block Dentil Shelf

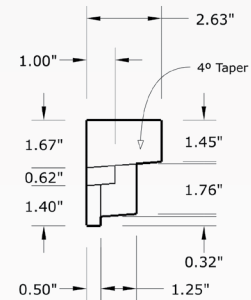
Matching Doors:
DRG6C | Spec Page 102



ACDSGT2716 16 BLOCK DENTIL SHELF



Front Profile

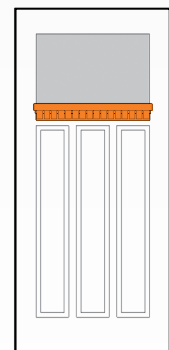


Side Profile

ACCESSORY INFO

Parts Per Set: 1
16 Block Dentil Shelf

Matching Doors:
DRG6C | Spec Page 102





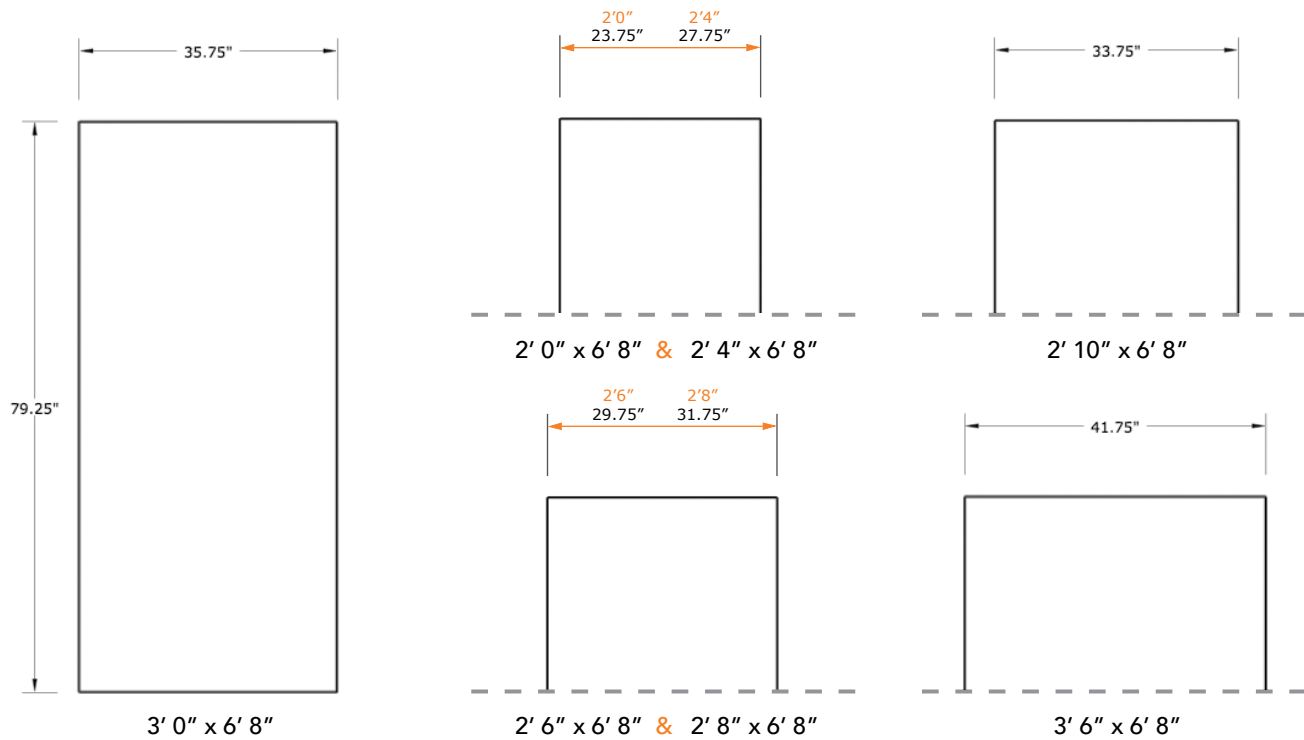
SMOOTH SERIES

Our Smooth Doors are made with a pre-pigmented white skin; its simplicity gives a modern design and feel to any home. Our Smooth skin incorporated with a variety of panel designs and glass options, gives a clean, minimal look to any of our fiberglass doors.

PG 126 - 176

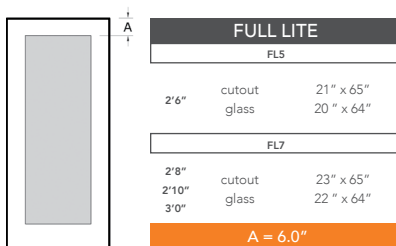
6'8" DRS00 FLUSH DOOR

AVAILABLE SIZING



NOTE: BY REQUEST, DOOR HEIGHT COMES IN VARYING DIMENSIONS TO A MINIMUM OF 79". EXCESS WILL BE TAKEN FROM BOTTOM RAIL. ALL OTHER DIMENSIONS WILL REMAIN THE SAME.

CUTOUTS & GLASS



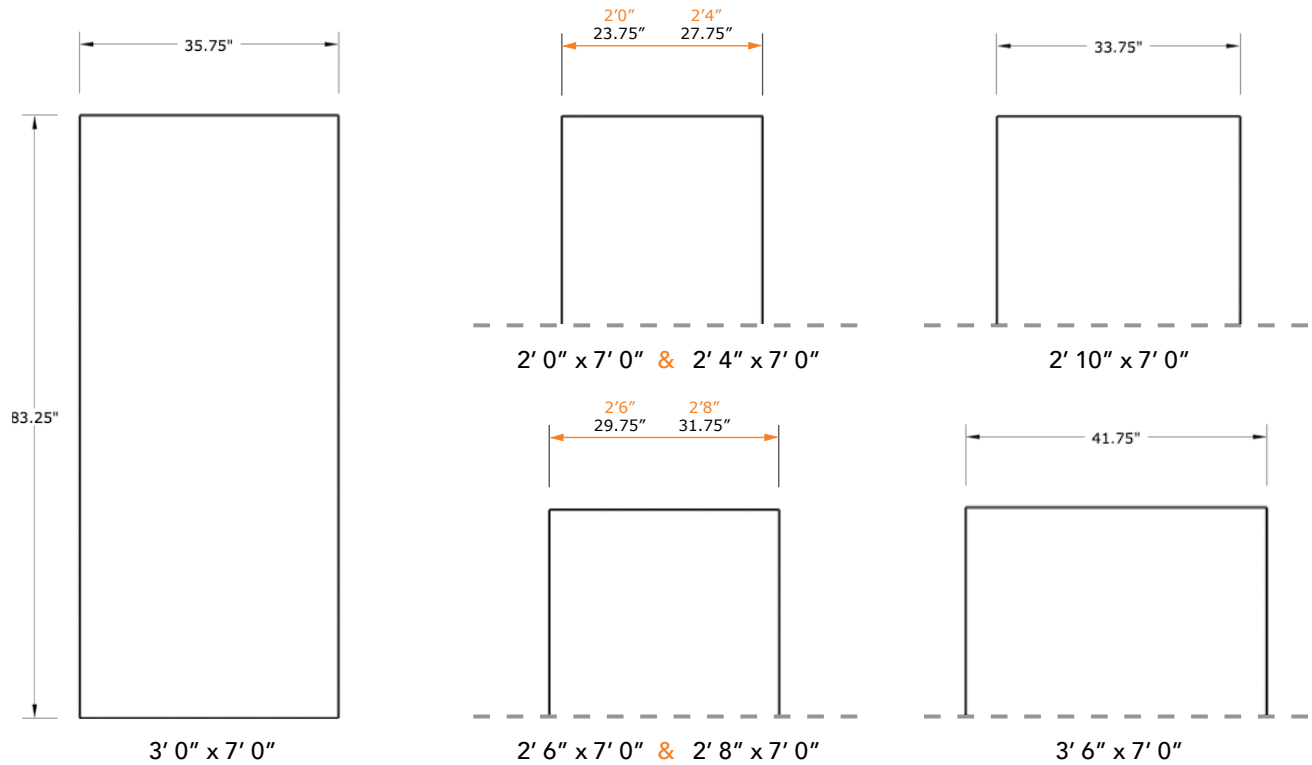
A = DISTANCE FROM TOP OF DOOR TO TOP OF CUTOUT

MATCHING SIDELITES



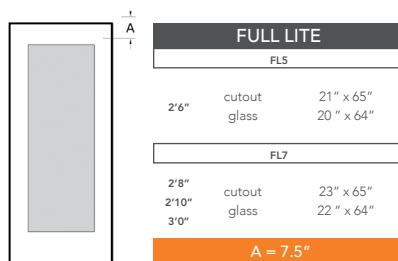
7'0" DRS0070 FLUSH DOOR

AVAILABLE SIZING



NOTE: BY REQUEST, DOOR HEIGHT COMES IN VARYING DIMENSIONS TO A MINIMUM OF 83". EXCESS WILL BE TAKEN FROM BOTTOM RAIL. ALL OTHER DIMENSIONS WILL REMAIN THE SAME.

CUTOUTS & GLASS



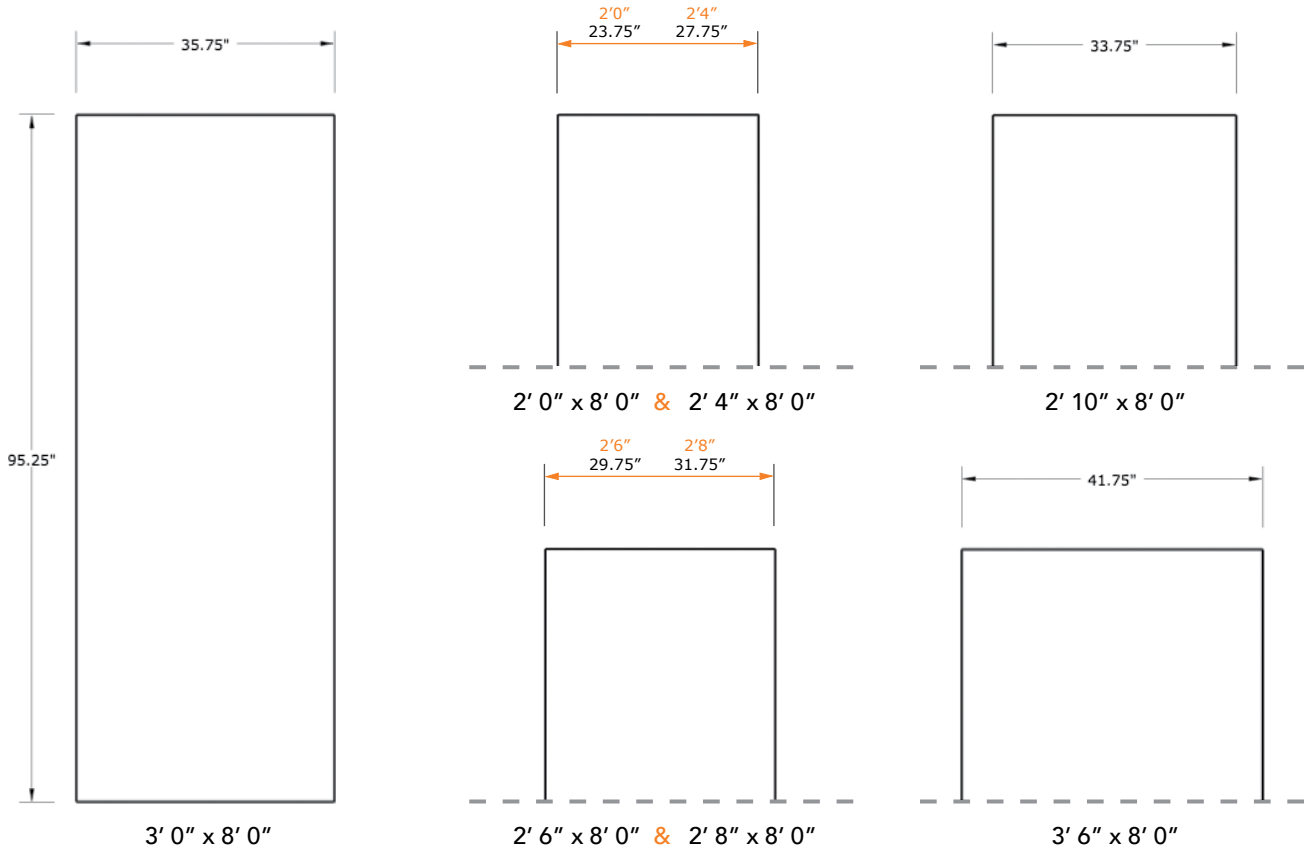
A = DISTANCE FROM TOP OF DOOR TO TOP OF CUTOUT

MATCHING SIDELITES



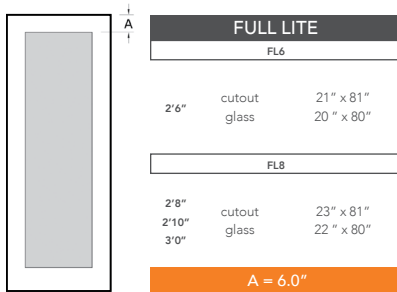
8'0" DRS0080 FLUSH DOOR

AVAILABLE SIZING



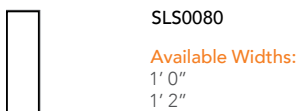
NOTE: BY REQUEST, DOOR HEIGHT COMES IN VARYING DIMENSIONS TO A MINIMUM OF 95". EXCESS WILL BE TAKEN FROM BOTTOM RAIL. ALL OTHER DIMENSIONS WILL REMAIN THE SAME.

CUTOUTS & GLASS



A = DISTANCE FROM TOP OF DOOR TO TOP OF CUTOUT

MATCHING SIDELITES

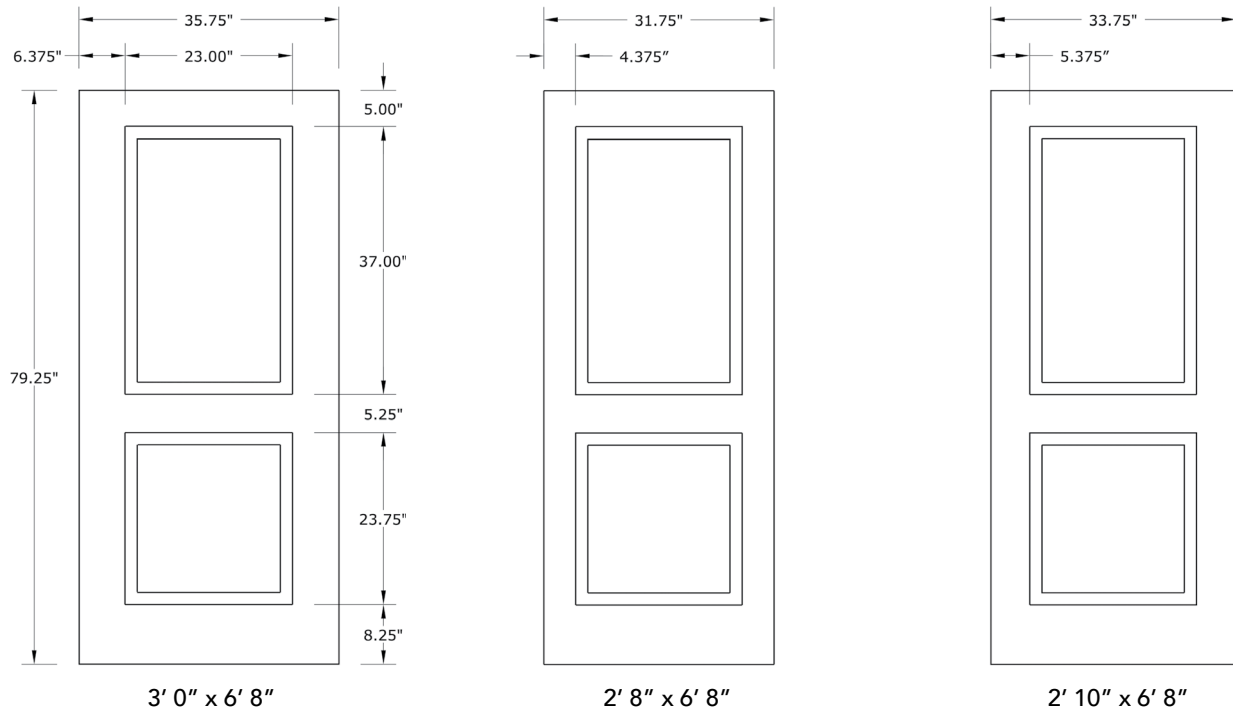


Spec Page = 166

6'8" DRS2B TWO PANEL DOOR

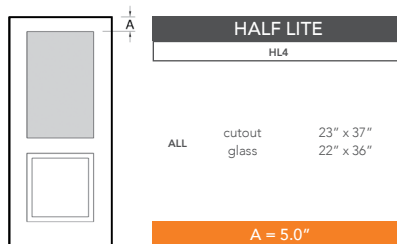
SQUARE PANEL & SQUARE TOP

AVAILABLE SIZING



NOTE: BY REQUEST, DOOR HEIGHT COMES IN VARYING DIMENSIONS TO A MINIMUM OF 79". EXCESS WILL BE TAKEN FROM BOTTOM RAIL. ALL OTHER DIMENSIONS WILL REMAIN THE SAME.

CUTOUTS & GLASS



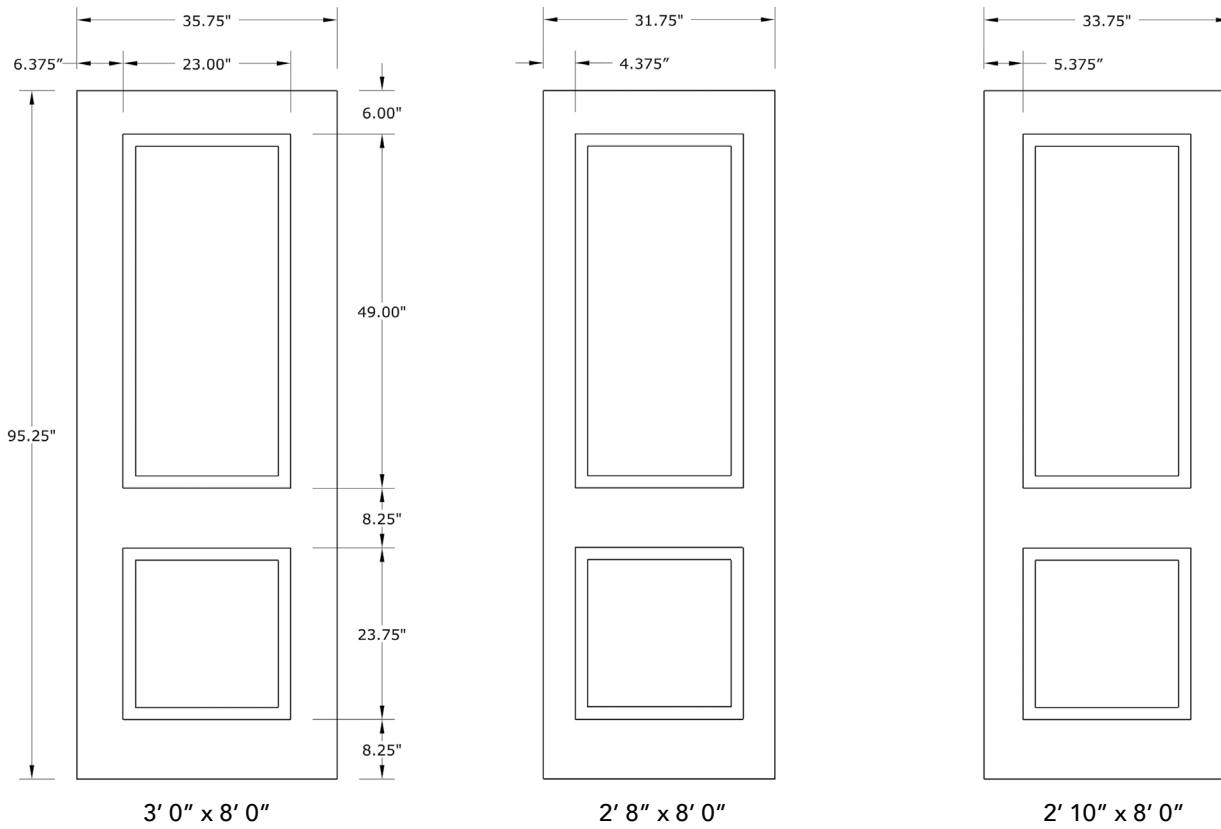
A = DISTANCE FROM TOP OF DOOR TO TOP OF CUTOUT

MATCHING SIDELITES



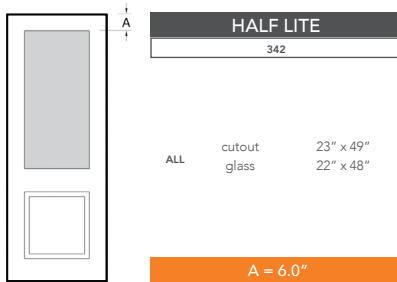
8'0" DRS2B80 TWO PANEL DOOR SQUARE PANEL & SQUARE TOP

AVAILABLE SIZING



NOTE: BY REQUEST, DOOR HEIGHT COMES IN VARYING DIMENSIONS TO A MINIMUM OF 95". EXCESS WILL BE TAKEN FROM BOTTOM RAIL. ALL OTHER DIMENSIONS WILL REMAIN THE SAME.

CUTOUTS & GLASS



A = DISTANCE FROM TOP OF DOOR TO TOP OF CUTOUT

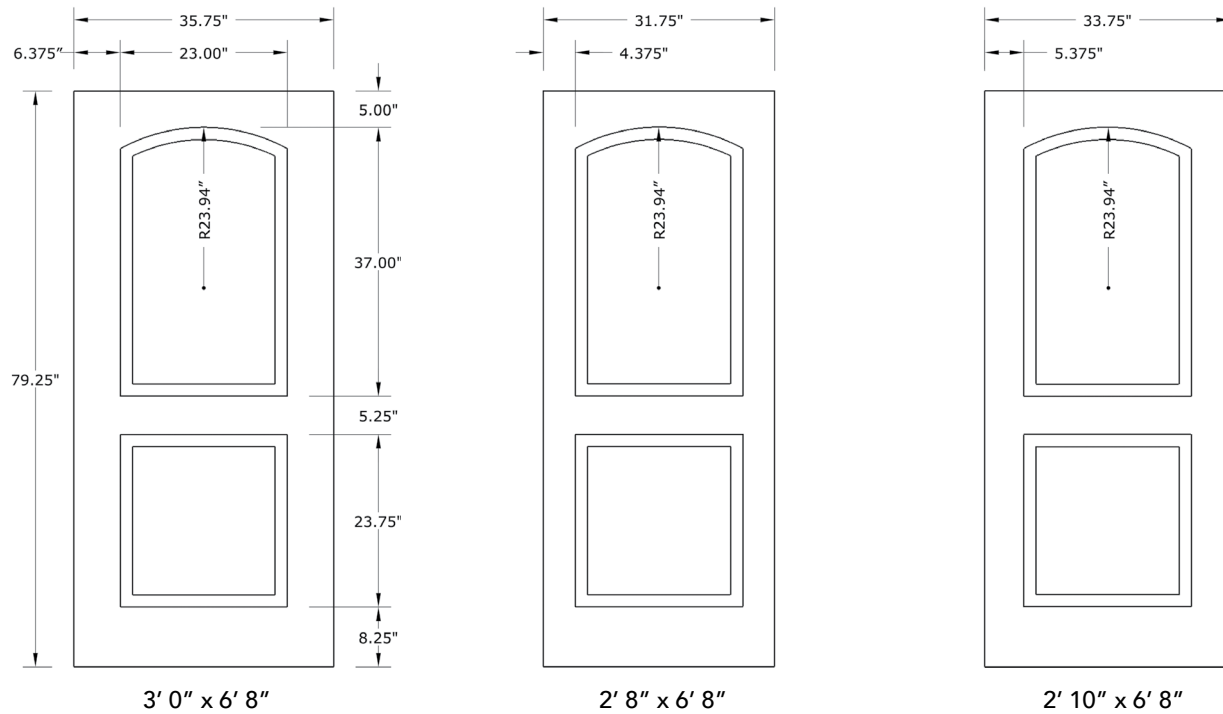
MATCHING SIDELITES



6'8" DRS2D TWO PANEL DOOR

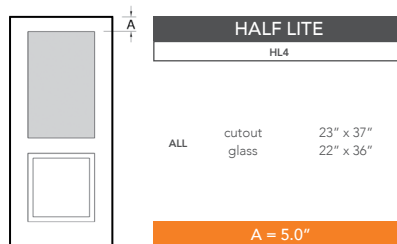
ARCH PANEL & SQUARE TOP

AVAILABLE SIZING



NOTE: BY REQUEST, DOOR HEIGHT COMES IN VARYING DIMENSIONS TO A MINIMUM OF 79". EXCESS WILL BE TAKEN FROM BOTTOM RAIL. ALL OTHER DIMENSIONS WILL REMAIN THE SAME.

CUTOUTS & GLASS



A = DISTANCE FROM TOP OF DOOR TO TOP OF CUTOUT

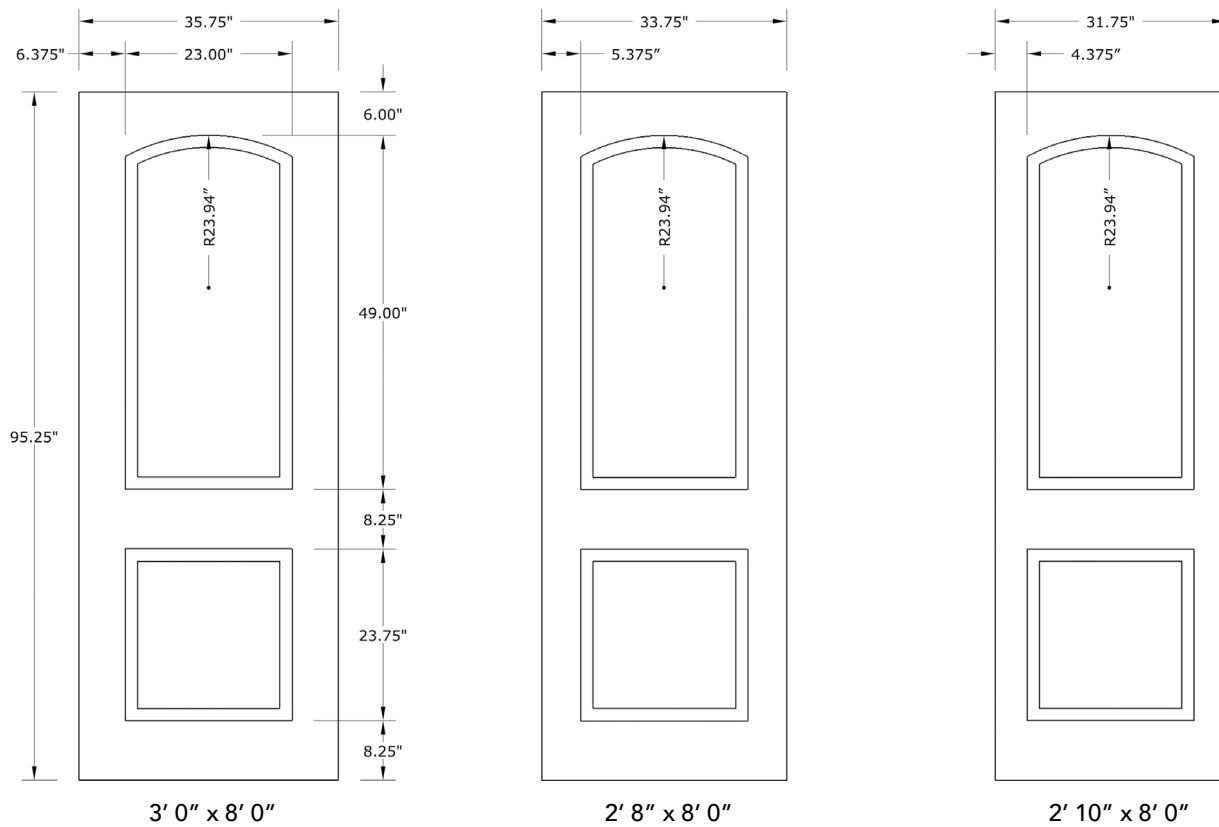
MATCHING SIDELITES



8'0" DRS2D80 TWO PANEL DOOR

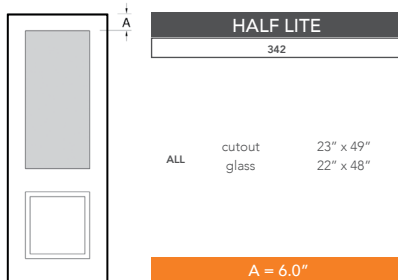
ARCH PANEL & SQUARE TOP

AVAILABLE SIZING



NOTE: BY REQUEST, DOOR HEIGHT COMES IN VARYING DIMENSIONS TO A MINIMUM OF 95". EXCESS WILL BE TAKEN FROM BOTTOM RAIL. ALL OTHER DIMENSIONS WILL REMAIN THE SAME.

CUTOUTS & GLASS



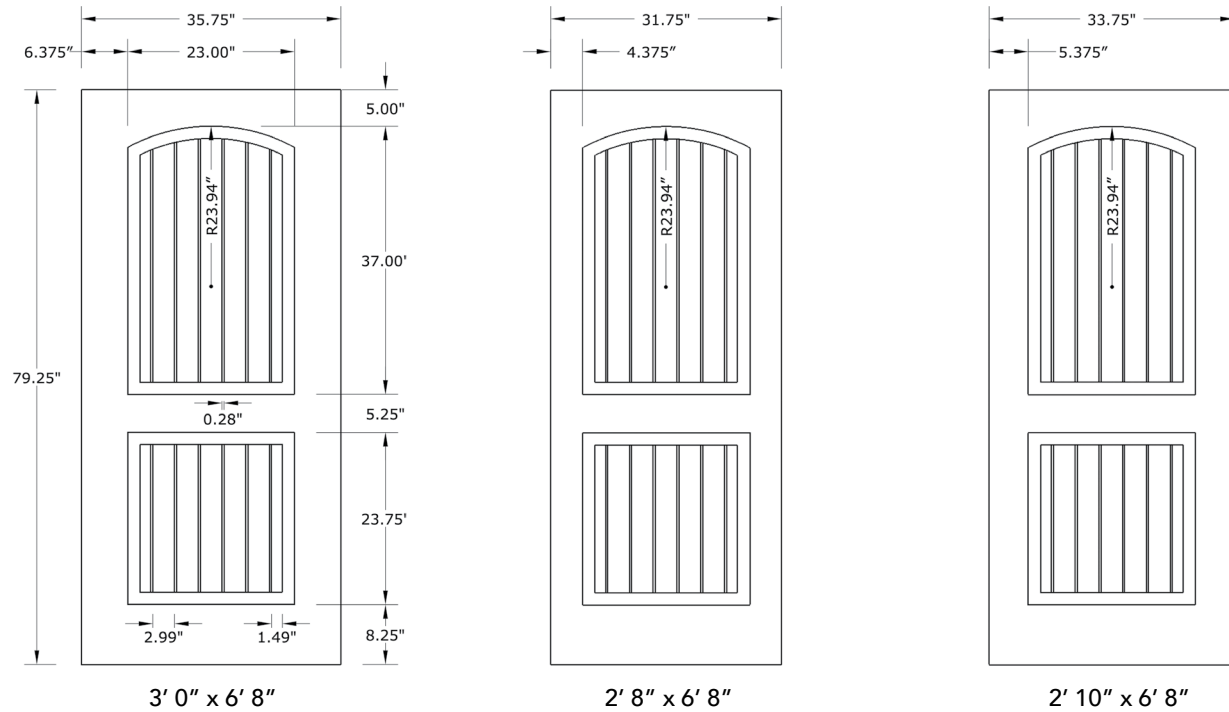
A = DISTANCE FROM TOP OF DOOR TO TOP OF CUTOUT

MATCHING SIDELITES



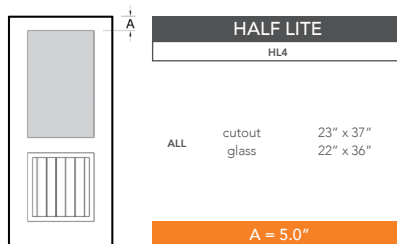
6'8" DRS2G COTTAGE TWO PANEL DOOR

AVAILABLE SIZING



NOTE: BY REQUEST, DOOR HEIGHT COMES IN VARYING DIMENSIONS TO A MINIMUM OF 79". EXCESS WILL BE TAKEN FROM BOTTOM RAIL. ALL OTHER DIMENSIONS WILL REMAIN THE SAME.

CUTOUTS & GLASS



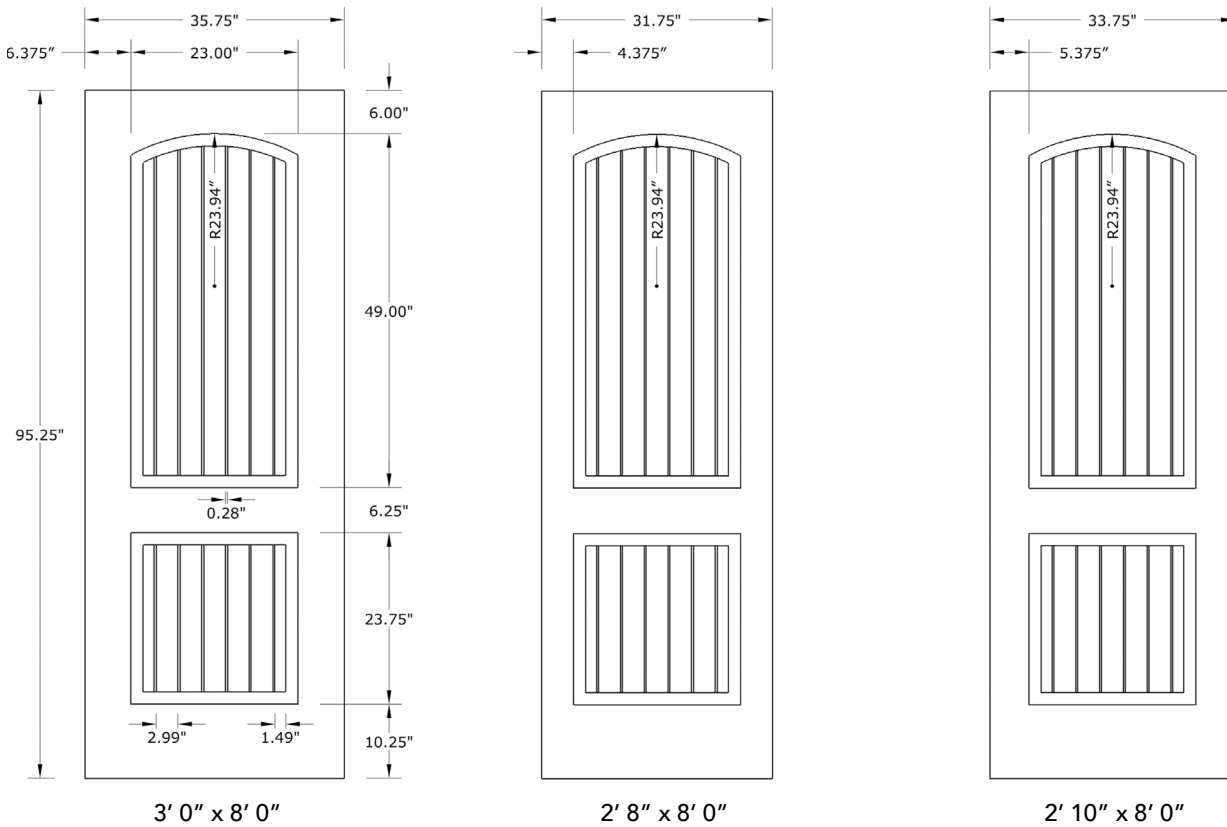
A = DISTANCE FROM TOP OF DOOR TO TOP OF CUTOUT

MATCHING SIDELITES



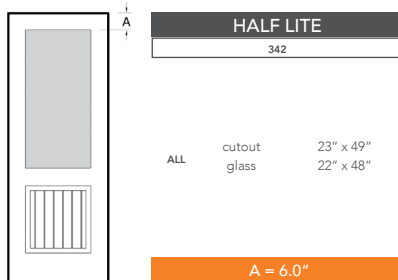
8'0" DRS2G80 COTTAGE TWO PANEL DOOR

AVAILABLE SIZING



NOTE: BY REQUEST, DOOR HEIGHT COMES IN VARYING DIMENSIONS TO A MINIMUM OF 95". EXCESS WILL BE TAKEN FROM BOTTOM RAIL. ALL OTHER DIMENSIONS WILL REMAIN THE SAME.

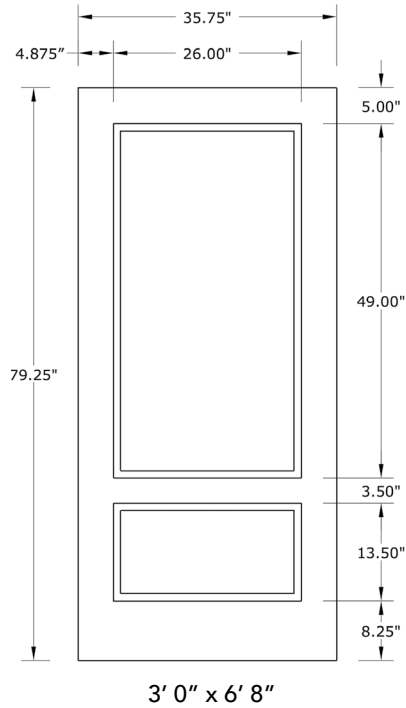
CUTOUTS & GLASS



A = DISTANCE FROM TOP OF DOOR TO TOP OF CUTOUT

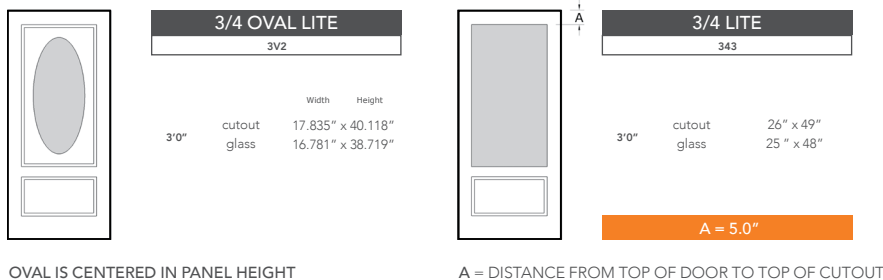
6'8" DRS20 3/4 HERITAGE DOOR

AVAILABLE SIZING



NOTE: BY REQUEST, DOOR HEIGHT COMES IN VARYING DIMENSIONS TO A MINIMUM OF 79". EXCESS WILL BE TAKEN FROM BOTTOM RAIL. ALL OTHER DIMENSIONS WILL REMAIN THE SAME.

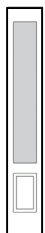
CUTOUTS & GLASS



OVAL IS CENTERED IN PANEL HEIGHT

A = DISTANCE FROM TOP OF DOOR TO TOP OF CUTOUT

MATCHING SIDELITES



SLS3E

Available Widths:

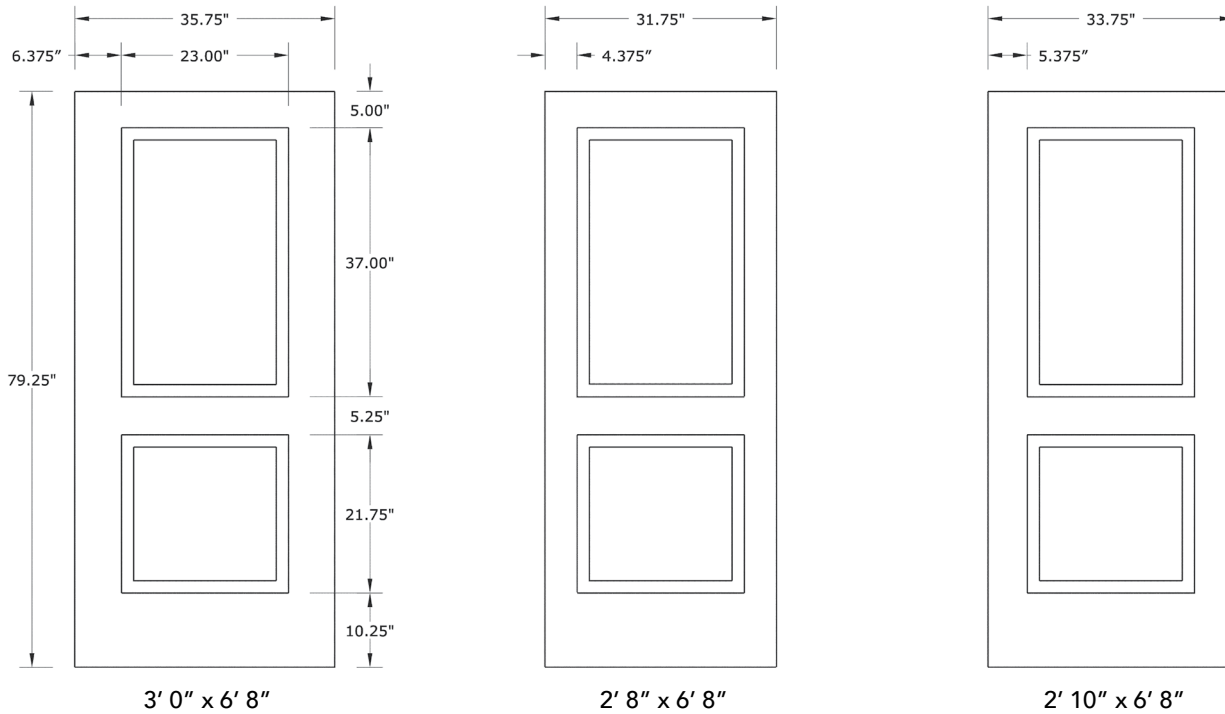
1' 0"
1' 2"

Spec Page = 167

6'8" DRS22 TWO PANEL DOOR

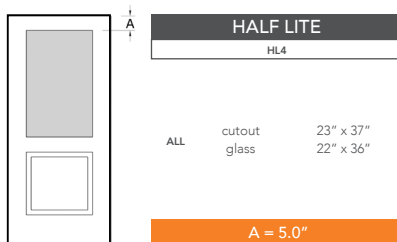
10" BOTTOM RAIL

AVAILABLE SIZING



NOTE: BY REQUEST, DOOR HEIGHT COMES IN VARYING DIMENSIONS TO A MINIMUM OF 79". EXCESS WILL BE TAKEN FROM BOTTOM RAIL. ALL OTHER DIMENSIONS WILL REMAIN THE SAME.

CUTOUTS & GLASS

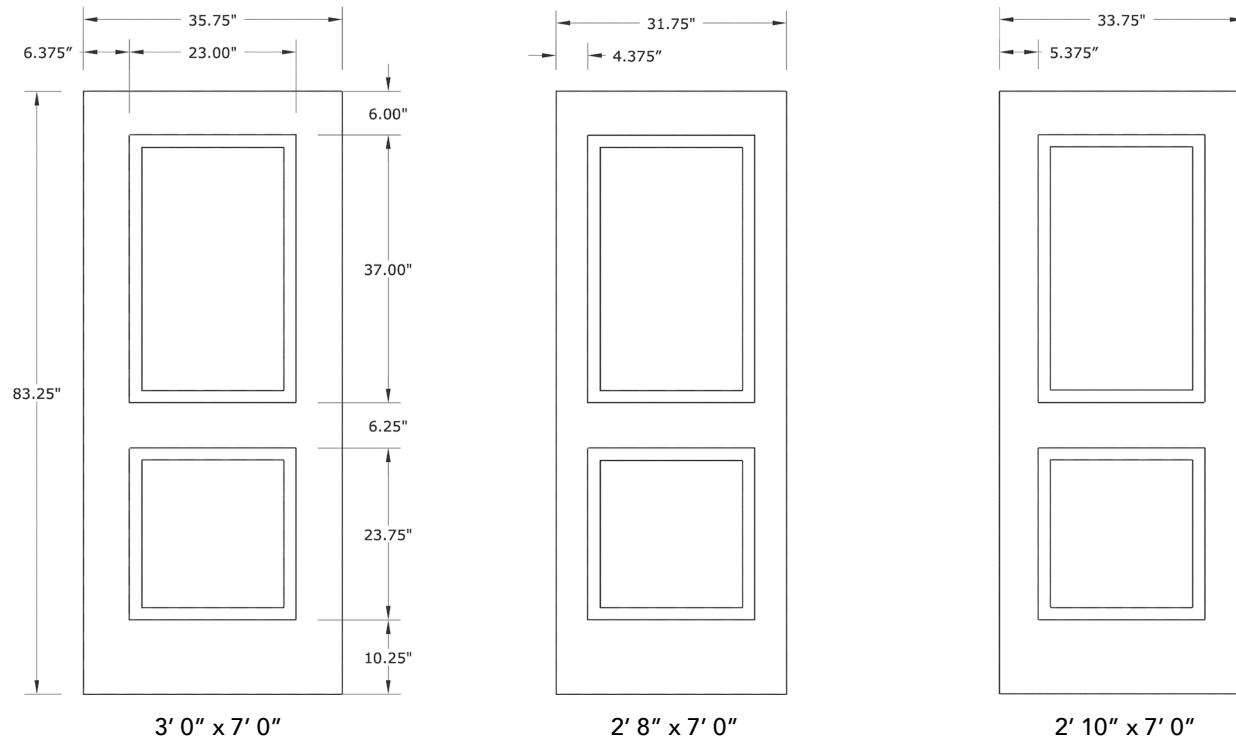


A = DISTANCE FROM TOP OF DOOR TO TOP OF CUTOUT

7'0" DRS2270 TWO PANEL DOOR

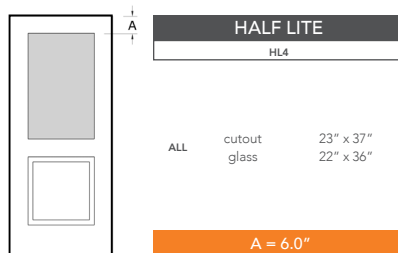
10" BOTTOM RAIL

AVAILABLE SIZING



NOTE: BY REQUEST, DOOR HEIGHT COMES IN VARYING DIMENSIONS TO A MINIMUM OF 83". EXCESS WILL BE TAKEN FROM BOTTOM RAIL. ALL OTHER DIMENSIONS WILL REMAIN THE SAME.

CUTOUTS & GLASS

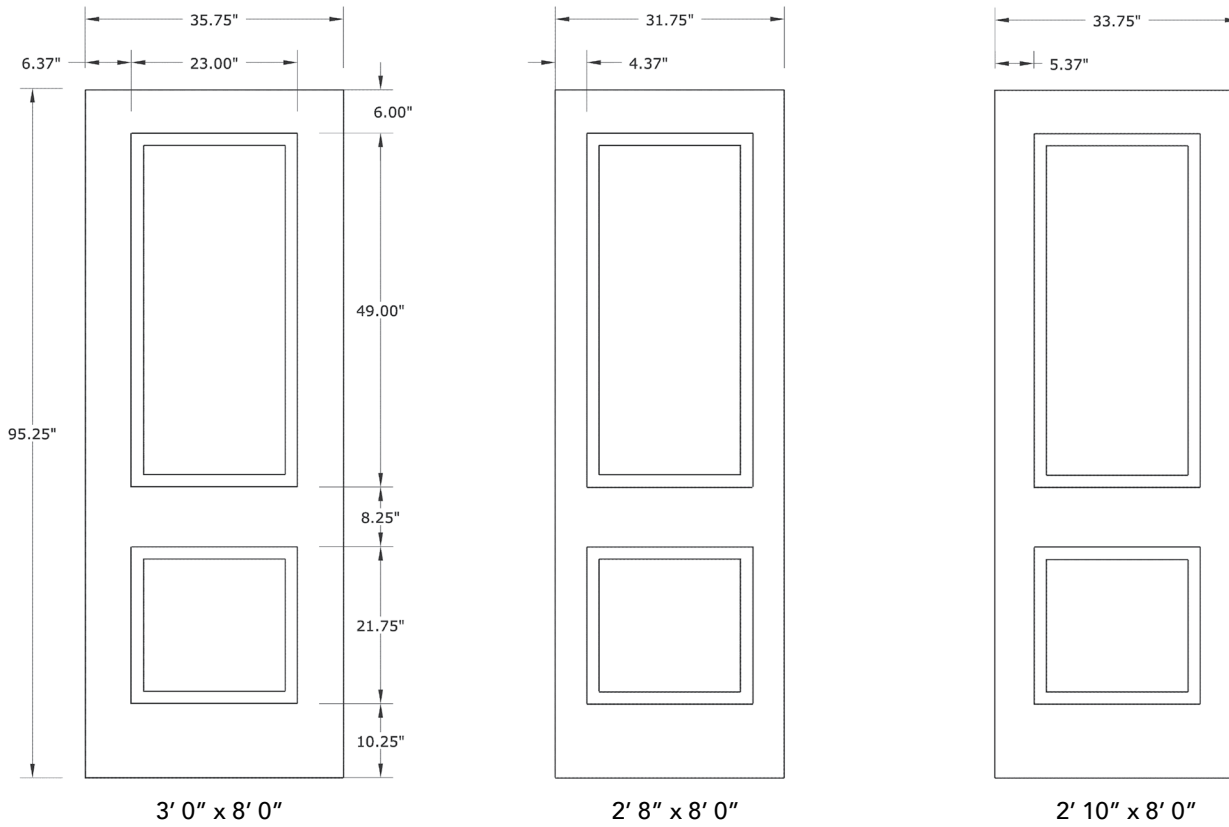


A = DISTANCE FROM TOP OF DOOR TO TOP OF CUTOUT

8'0" DRS2280 TWO PANEL DOOR

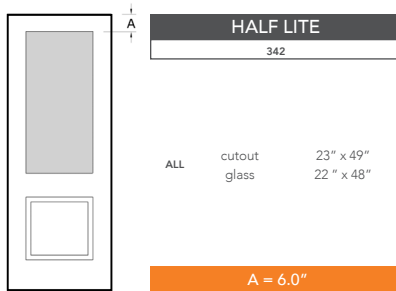
10" BOTTOM RAIL

AVAILABLE SIZING



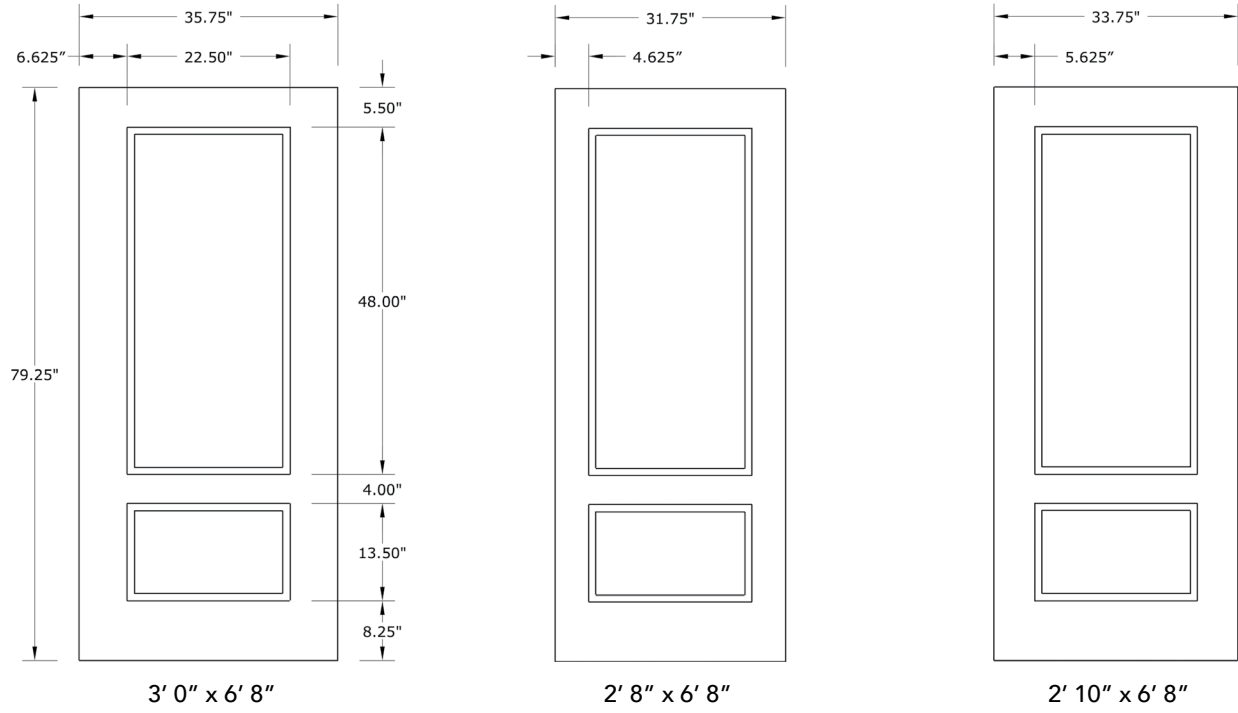
NOTE: BY REQUEST, DOOR HEIGHT COMES IN VARYING DIMENSIONS TO A MINIMUM OF 95". EXCESS WILL BE TAKEN FROM BOTTOM RAIL. ALL OTHER DIMENSIONS WILL REMAIN THE SAME.

CUTOUTS & GLASS



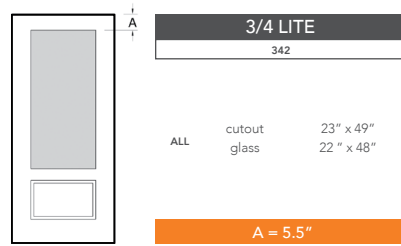
6'8" DRS29 3/4 TWO PANEL DOOR

AVAILABLE SIZING



NOTE: BY REQUEST, DOOR HEIGHT COMES IN VARYING DIMENSIONS TO A MINIMUM OF 79". EXCESS WILL BE TAKEN FROM BOTTOM RAIL. ALL OTHER DIMENSIONS WILL REMAIN THE SAME.

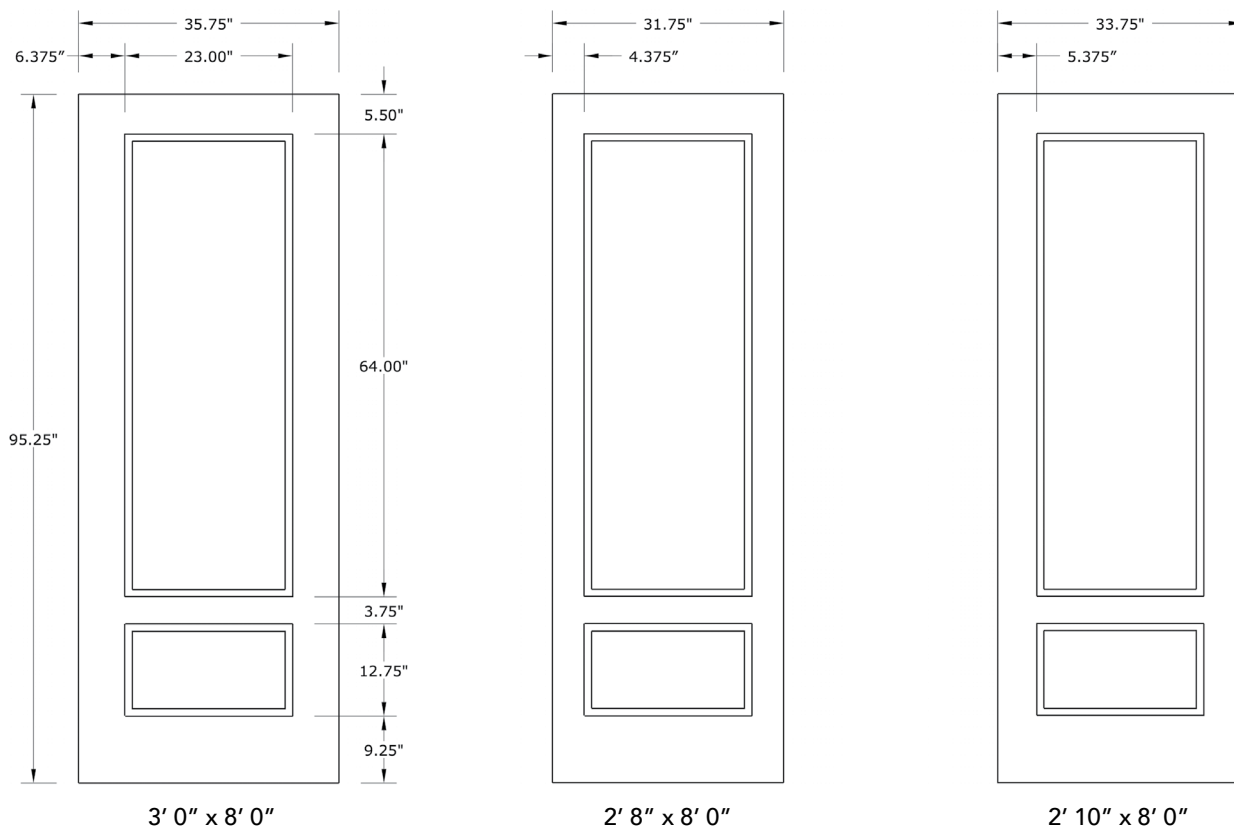
CUTOUTS & GLASS



A = DISTANCE FROM TOP OF DOOR TO TOP OF CUTOUT

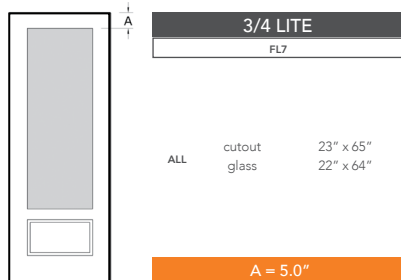
8'0" DRS2980 3/4 TWO PANEL DOOR

AVAILABLE SIZING



NOTE: BY REQUEST, DOOR HEIGHT COMES IN VARYING DIMENSIONS TO A MINIMUM OF 95". EXCESS WILL BE TAKEN FROM BOTTOM RAIL. ALL OTHER DIMENSIONS WILL REMAIN THE SAME.

CUTOUTS & GLASS



A = DISTANCE FROM TOP OF DOOR TO TOP OF CUTOUT

MATCHING SIDELITES



SLS3080

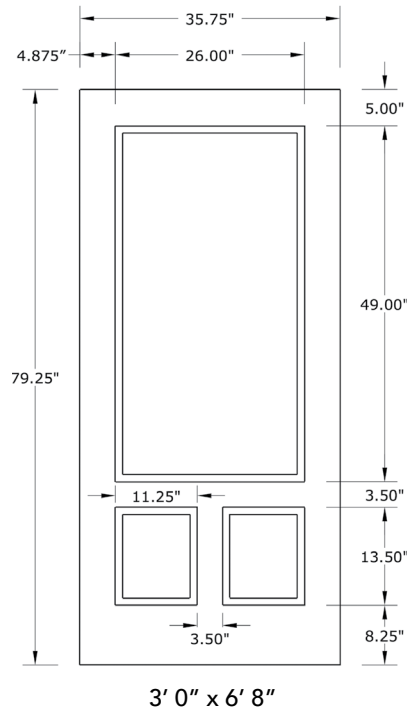
Available Widths:

- 1' 0"
- 1' 2"

Spec Page = 169

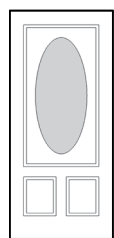
6'8" DRS3E 3/4 ELITE DOOR

AVAILABLE SIZING

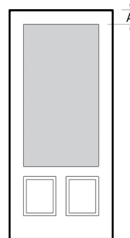


NOTE: BY REQUEST, DOOR HEIGHT COMES IN VARYING DIMENSIONS TO A MINIMUM OF 79". EXCESS WILL BE TAKEN FROM BOTTOM RAIL. ALL OTHER DIMENSIONS WILL REMAIN THE SAME.

CUTOUTS & GLASS



3/4 OVAL LITE		Width	Height
3'0"	cutout	17.835"	40.118"
	glass	16.781"	38.719"



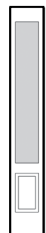
3/4 LITE		Width	Height
3'0"	cutout	26"	49"
	glass	25"	48"

A = 5.0"

OVAL IS CENTERED IN PANEL HEIGHT

A = DISTANCE FROM TOP OF DOOR TO TOP OF CUTOUT

MATCHING SIDELITES



SLS3E

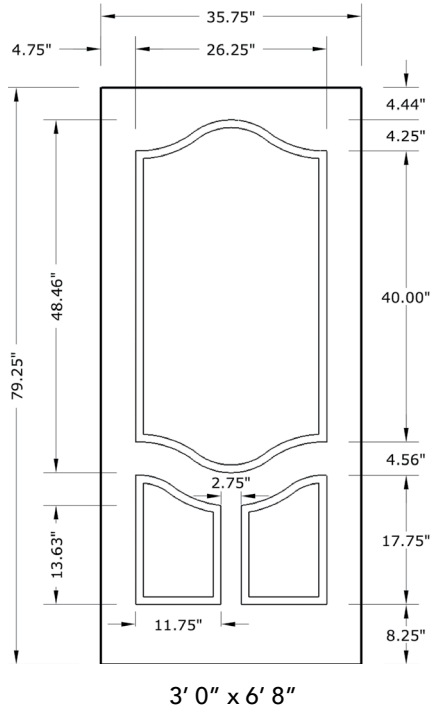
Available Widths:

1' 0"
1' 2"

Spec Page = 167

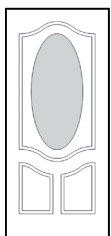
6'8" DRS3P 3/4 PREMIUM DOOR

AVAILABLE SIZING



NOTE: BY REQUEST, DOOR HEIGHT COMES IN VARYING DIMENSIONS TO A MINIMUM OF 79". EXCESS WILL BE TAKEN FROM BOTTOM RAIL. ALL OTHER DIMENSIONS WILL REMAIN THE SAME.

CUTOUTS & GLASS



3/4 OVAL LITE
3V2

	Width	Height
3'0" cutout	17.835"	40.118"
glass	16.781"	38.719"

OVAL IS CENTERED IN PANEL HEIGHT

MATCHING SIDELITES



SLS3P

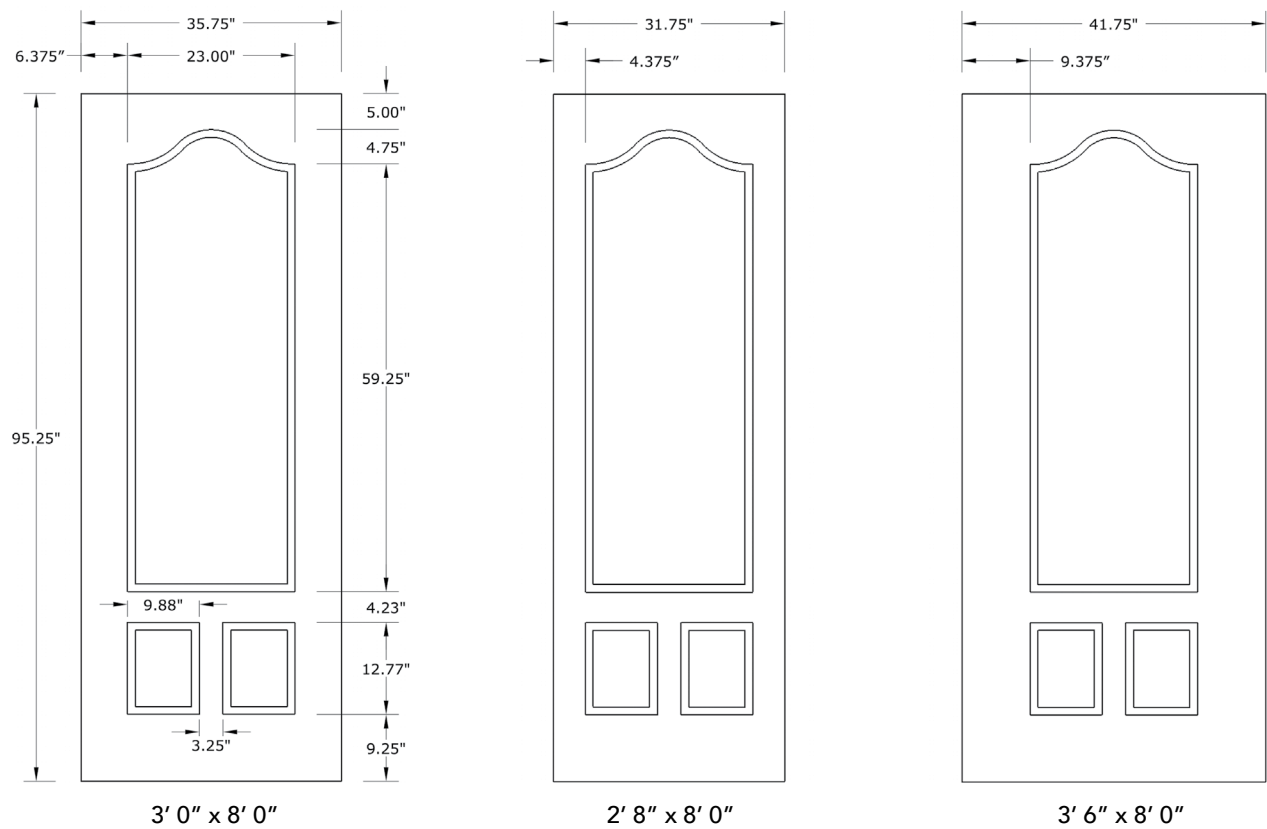
Available Widths:

- 1' 0"
- 1' 2"

Spec Page = 168

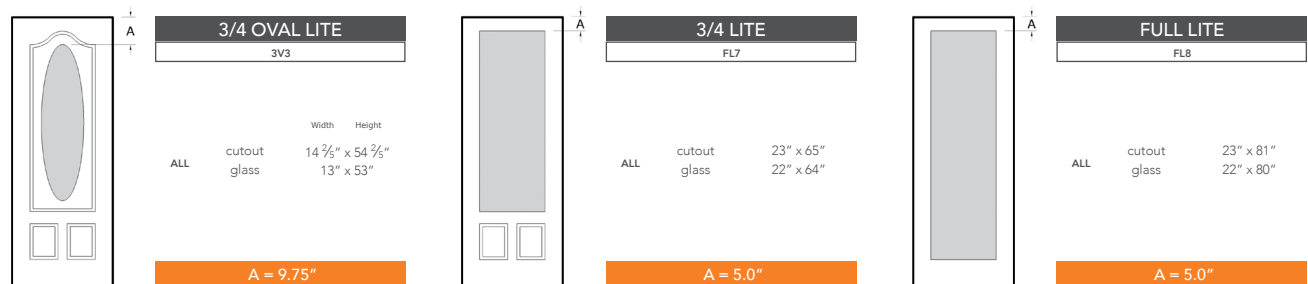
8'0" DRS3080 3/4 THREE PANEL DOOR

AVAILABLE SIZING



NOTE: BY REQUEST, DOOR HEIGHT COMES IN VARYING DIMENSIONS TO A MINIMUM OF 95". EXCESS WILL BE TAKEN FROM BOTTOM RAIL. ALL OTHER DIMENSIONS WILL REMAIN THE SAME.

CUTOUTS & GLASS



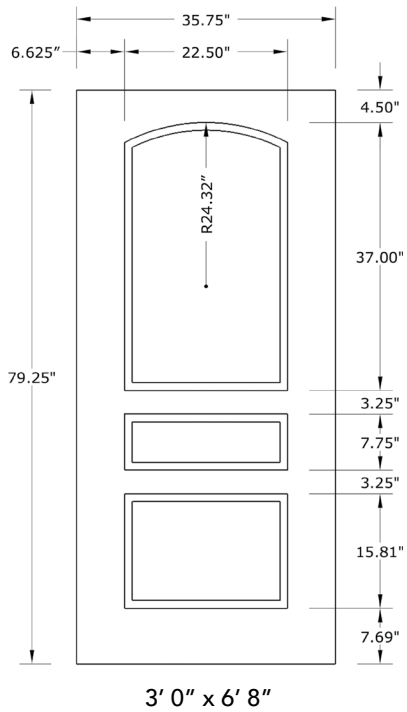
A = DISTANCE FROM TOP OF DOOR TO TOP OF CUTOUT

MATCHING SIDELITES



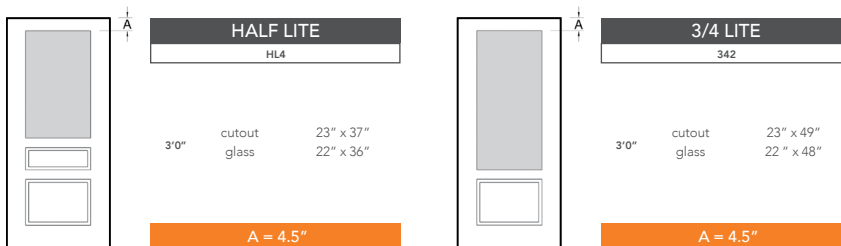
6'8" DRS31 THREE PANEL DOOR

AVAILABLE SIZING



NOTE: BY REQUEST, DOOR HEIGHT COMES IN VARYING DIMENSIONS TO A MINIMUM OF 79". EXCESS WILL BE TAKEN FROM BOTTOM RAIL. ALL OTHER DIMENSIONS WILL REMAIN THE SAME.

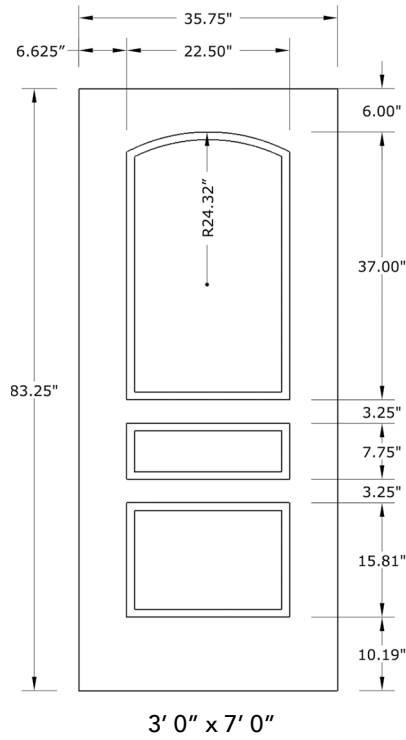
CUTOUTS & GLASS



A = DISTANCE FROM TOP OF DOOR TO TOP OF CUTOUT

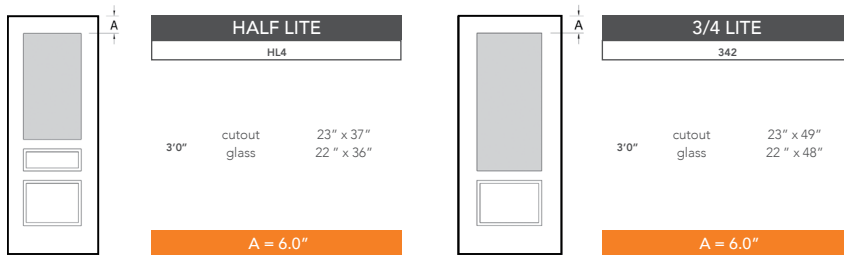
7'0" DRS3170 THREE PANEL DOOR

AVAILABLE SIZING



NOTE: BY REQUEST, DOOR HEIGHT COMES IN VARYING DIMENSIONS TO A MINIMUM OF 83". EXCESS WILL BE TAKEN FROM BOTTOM RAIL. ALL OTHER DIMENSIONS WILL REMAIN THE SAME.

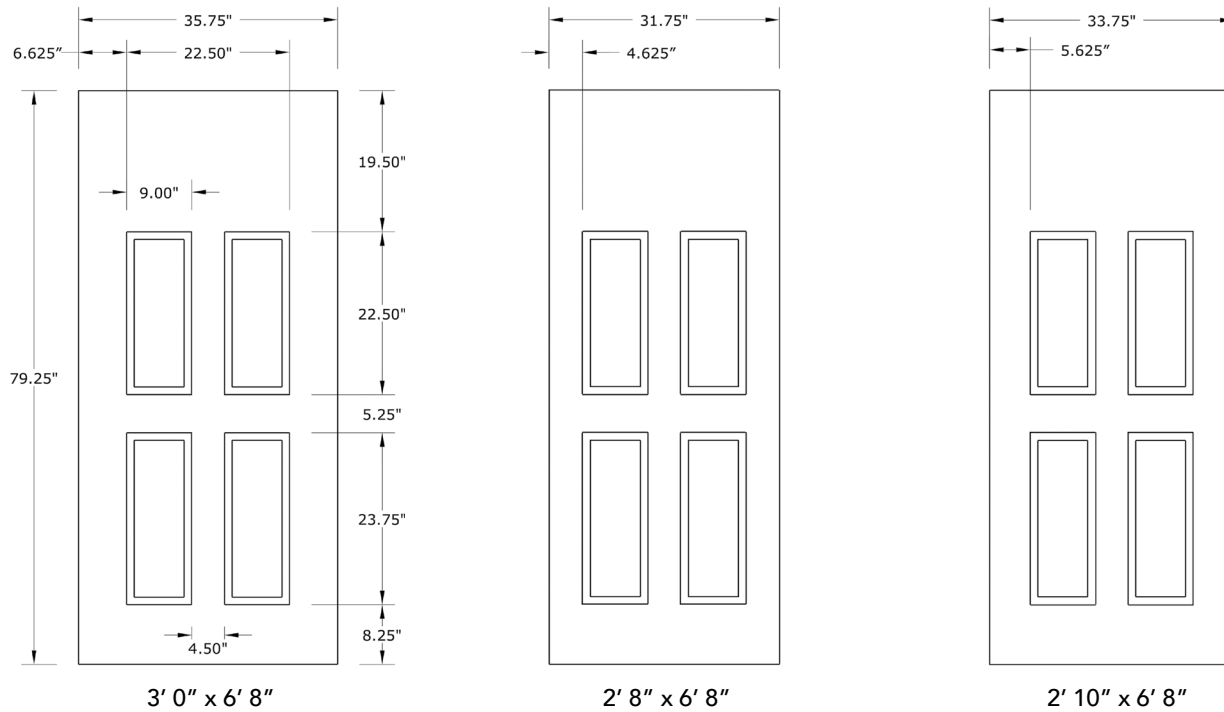
CUTOUTS & GLASS



A = DISTANCE FROM TOP OF DOOR TO TOP OF CUTOUT

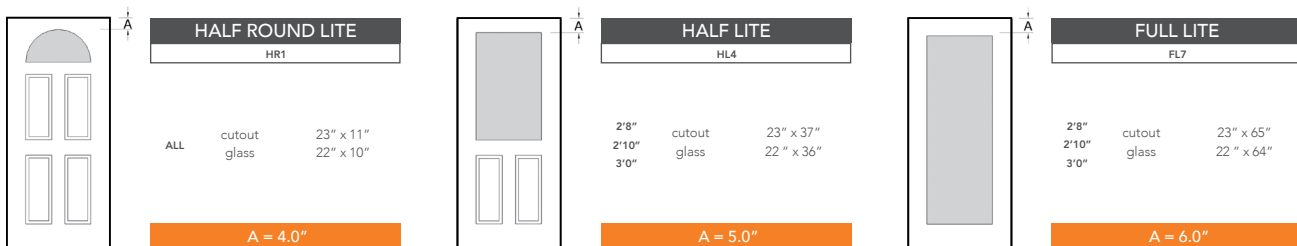
6'8" DRS40 FOUR PANEL BLANK TOP DOOR

AVAILABLE SIZING



NOTE: BY REQUEST, DOOR HEIGHT COMES IN VARYING DIMENSIONS TO A MINIMUM OF 79". EXCESS WILL BE TAKEN FROM BOTTOM RAIL. ALL OTHER DIMENSIONS WILL REMAIN THE SAME.

CUTOUTS & GLASS



A = DISTANCE FROM TOP OF DOOR TO TOP OF CUTOUT

MATCHING SIDELITES



SLS60

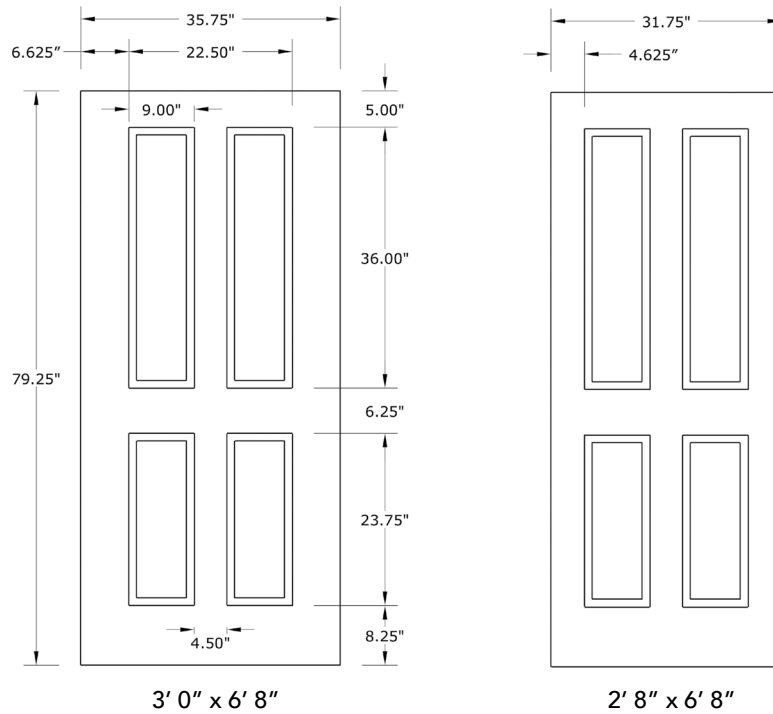
Available Widths:

1' 0"
1' 2"

Spec Page = 173

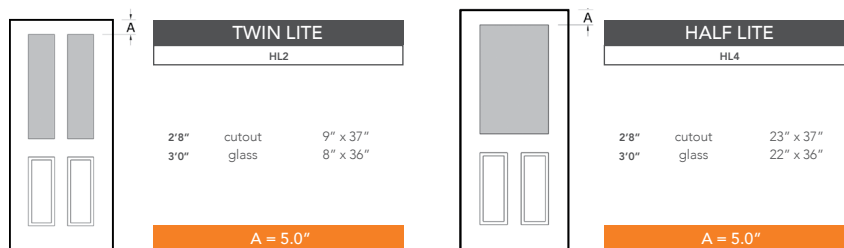
6'8" DRS41 TRUE FOUR PANEL DOOR

AVAILABLE SIZING



NOTE: BY REQUEST, DOOR HEIGHT COMES IN VARYING DIMENSIONS TO A MINIMUM OF 79". EXCESS WILL BE TAKEN FROM BOTTOM RAIL. ALL OTHER DIMENSIONS WILL REMAIN THE SAME.

CUTOUTS & GLASS



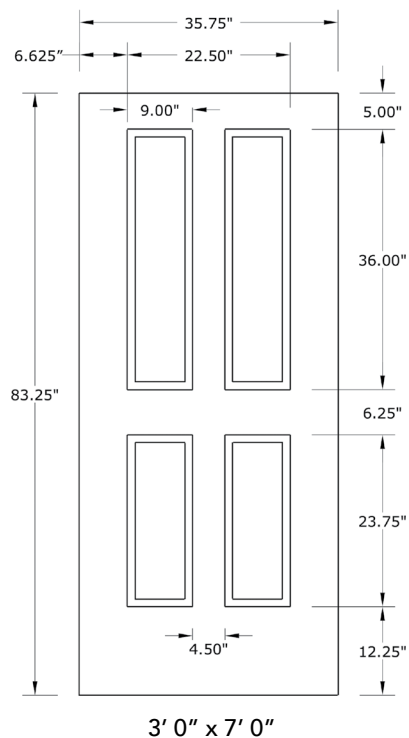
A = DISTANCE FROM TOP OF DOOR TO TOP OF CUTOUT

MATCHING SIDELITES



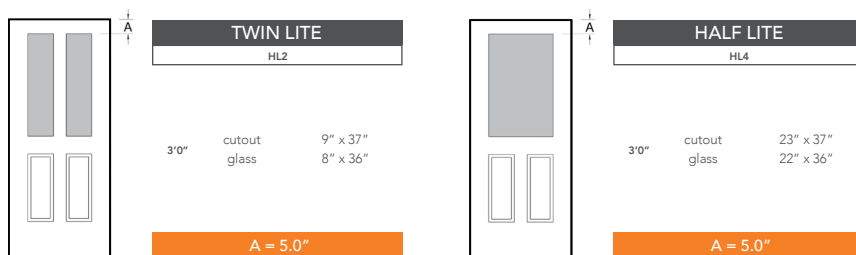
7'0" DRS4170 TRUE FOUR PANEL DOOR

AVAILABLE SIZING



NOTE: BY REQUEST, DOOR HEIGHT COMES IN VARYING DIMENSIONS TO A MINIMUM OF 83". EXCESS WILL BE TAKEN FROM BOTTOM RAIL. ALL OTHER DIMENSIONS WILL REMAIN THE SAME.

CUTOUTS & GLASS



A = DISTANCE FROM TOP OF DOOR TO TOP OF CUTOUT

MATCHING SIDELITES



SLS4170

Available Widths:

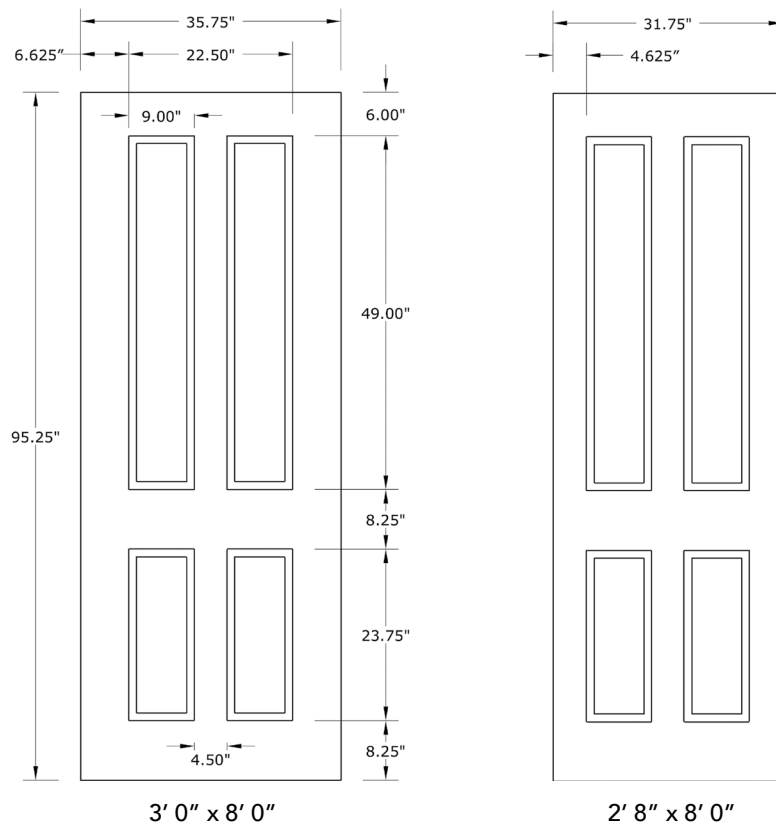
1' 0"

1' 2"

Spec Page = 170

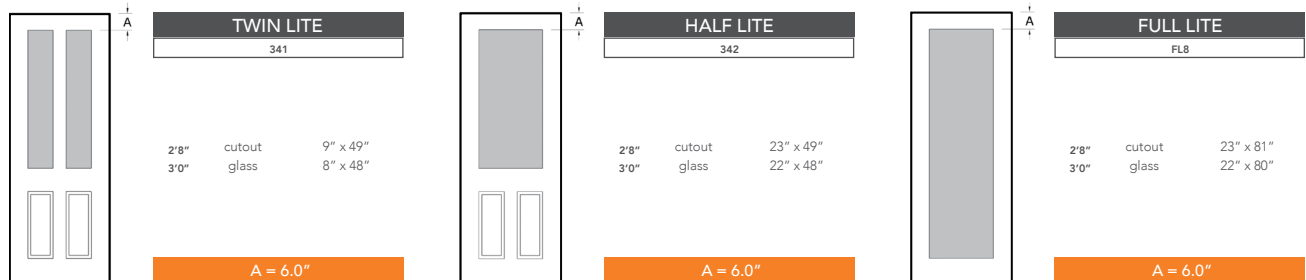
8'0" DRS4180 TRUE FOUR PANEL DOOR

AVAILABLE SIZING



NOTE: BY REQUEST, DOOR HEIGHT COMES IN VARYING DIMENSIONS TO A MINIMUM OF 95". EXCESS WILL BE TAKEN FROM BOTTOM RAIL. ALL OTHER DIMENSIONS WILL REMAIN THE SAME.

CUTOUTS & GLASS



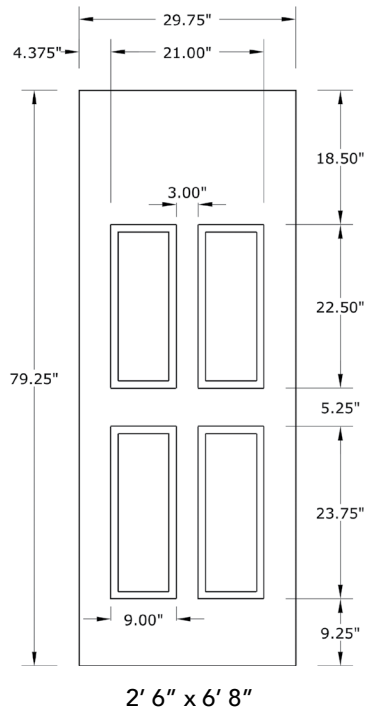
A = DISTANCE FROM TOP OF DOOR TO TOP OF CUTOUT

MATCHING SIDELITES



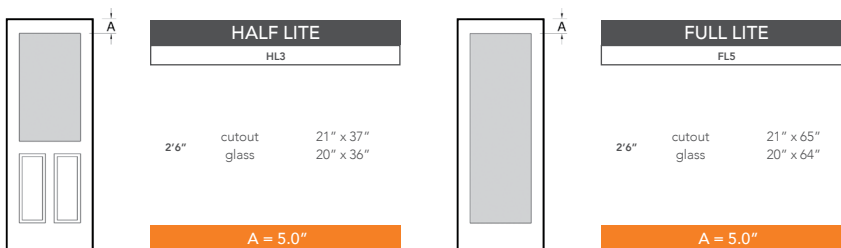
6'8" DRS42 FOUR PANEL BLANK TOP DOOR

AVAILABLE SIZING



NOTE: BY REQUEST, DOOR HEIGHT COMES IN VARYING DIMENSIONS TO A MINIMUM OF 79". EXCESS WILL BE TAKEN FROM BOTTOM RAIL. ALL OTHER DIMENSIONS WILL REMAIN THE SAME.

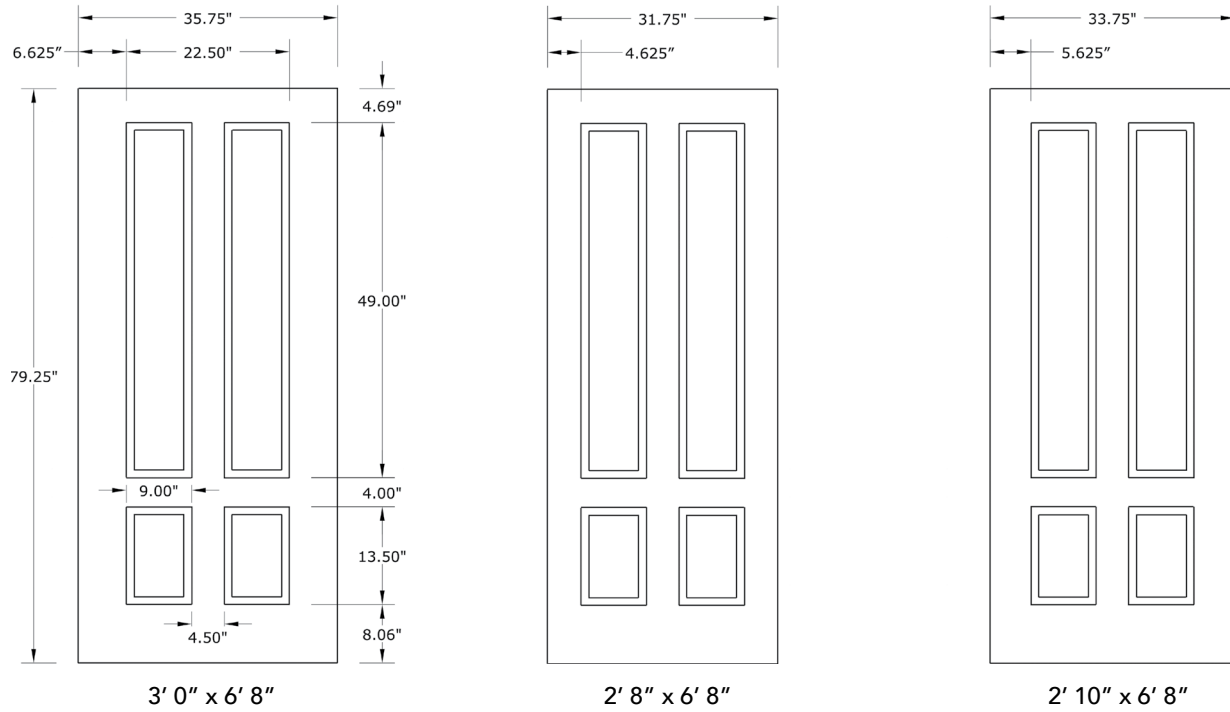
CUTOUTS & GLASS



A = DISTANCE FROM TOP OF DOOR TO TOP OF CUTOUT

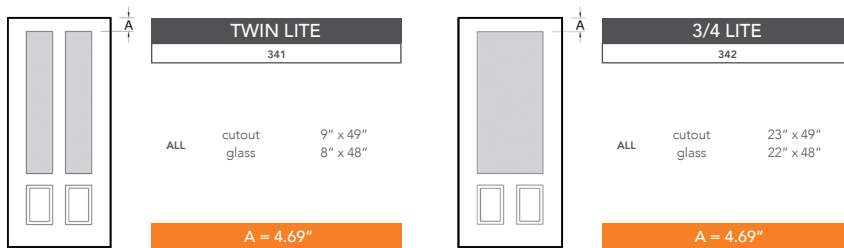
6'8" DRS49 3/4 FOUR PANEL DOOR

AVAILABLE SIZING



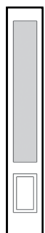
NOTE: BY REQUEST, DOOR HEIGHT COMES IN VARYING DIMENSIONS TO A MINIMUM OF 79". EXCESS WILL BE TAKEN FROM BOTTOM RAIL. ALL OTHER DIMENSIONS WILL REMAIN THE SAME.

CUTOUTS & GLASS



A = DISTANCE FROM TOP OF DOOR TO TOP OF CUTOUT

MATCHING SIDELITES



SLS49

Available Widths:

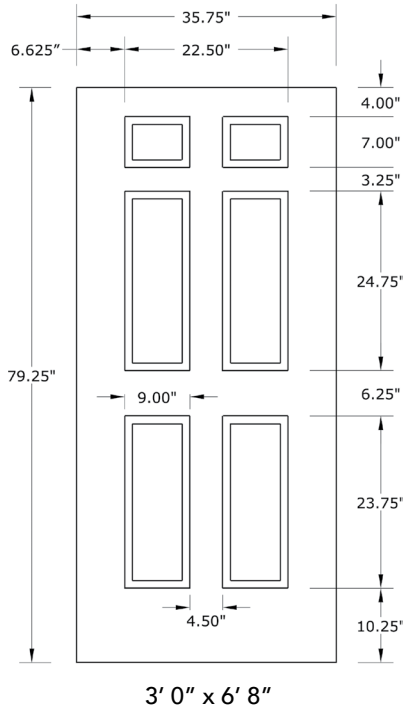
- 1' 0"
- 1' 2"

Spec Page = 172

6'8" DRS6B SIX PANEL DOOR

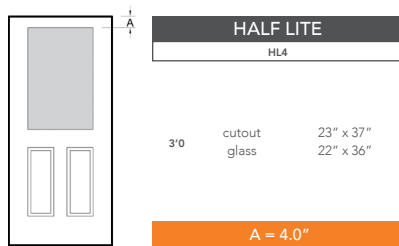
10" BOTTOM RAIL

AVAILABLE SIZING



NOTE: BY REQUEST, DOOR HEIGHT COMES IN VARYING DIMENSIONS TO A MINIMUM OF 79". EXCESS WILL BE TAKEN FROM BOTTOM RAIL. ALL OTHER DIMENSIONS WILL REMAIN THE SAME.

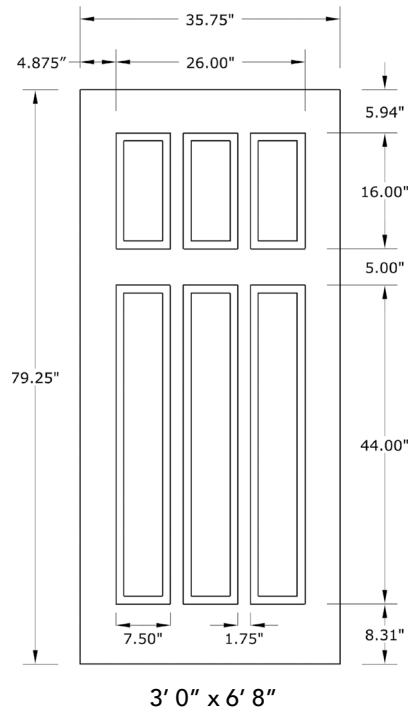
CUTOUTS & GLASS



A = DISTANCE FROM TOP OF DOOR TO TOP OF CUTOUT

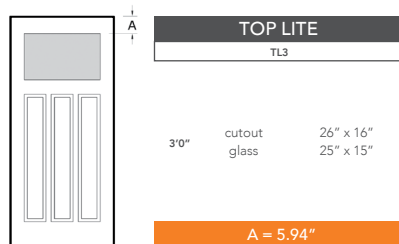
6'8" DRS6C SIX PANEL CRAFTSMAN DOOR

AVAILABLE SIZING



NOTE: BY REQUEST, DOOR HEIGHT COMES IN VARYING DIMENSIONS TO A MINIMUM OF 79". EXCESS WILL BE TAKEN FROM BOTTOM RAIL. ALL OTHER DIMENSIONS WILL REMAIN THE SAME.

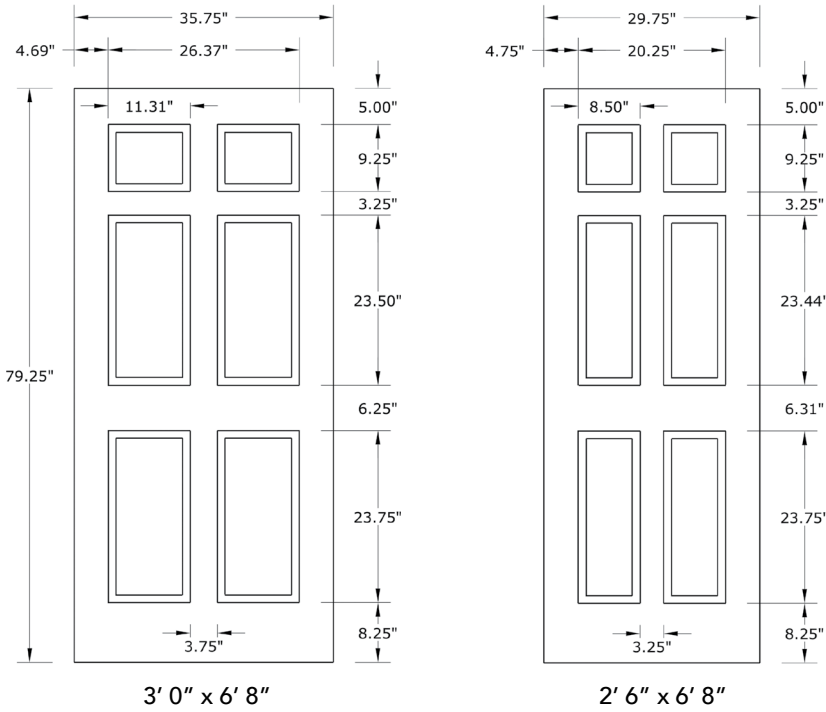
CUTOUTS & GLASS



A = DISTANCE FROM TOP OF DOOR TO TOP OF CUTOUT

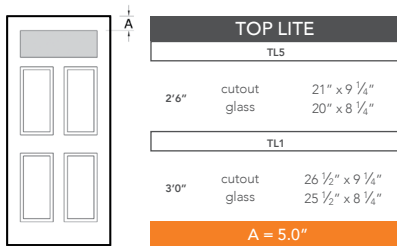
6'8" DRS60 SIX PANEL DOOR

AVAILABLE SIZING



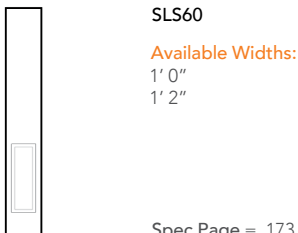
NOTE: BY REQUEST, DOOR HEIGHT COMES IN VARYING DIMENSIONS TO A MINIMUM OF 79". EXCESS WILL BE TAKEN FROM BOTTOM RAIL. ALL OTHER DIMENSIONS WILL REMAIN THE SAME.

CUTOUTS & GLASS



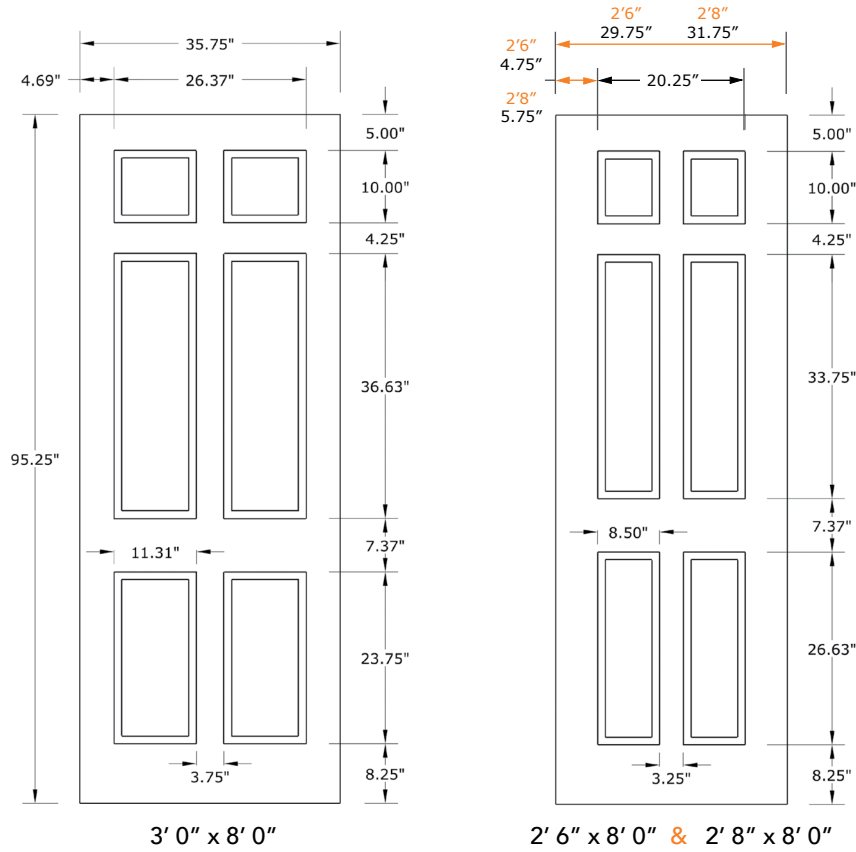
A = DISTANCE FROM TOP OF DOOR TO TOP OF CUTOUT

MATCHING SIDELITES



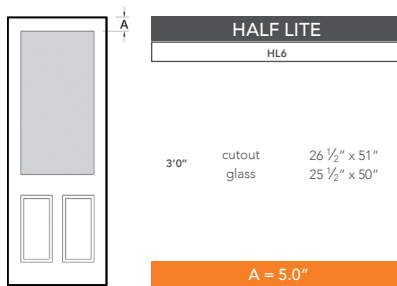
8'0" DRS6080 SIX PANEL DOOR

AVAILABLE SIZING



NOTE: BY REQUEST, DOOR HEIGHT COMES IN VARYING DIMENSIONS TO A MINIMUM OF 95". EXCESS WILL BE TAKEN FROM BOTTOM RAIL. ALL OTHER DIMENSIONS WILL REMAIN THE SAME.

CUTOUTS & GLASS



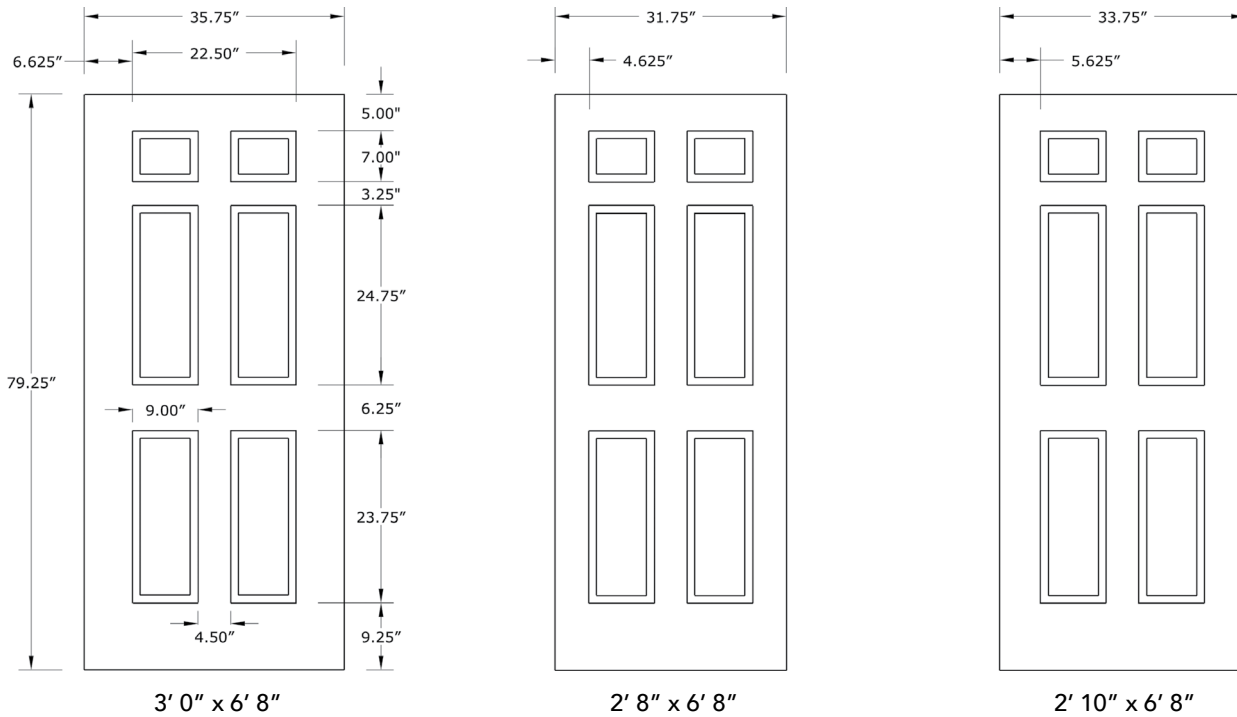
A = DISTANCE FROM TOP OF DOOR TO TOP OF CUTOUT

MATCHING SIDELITES



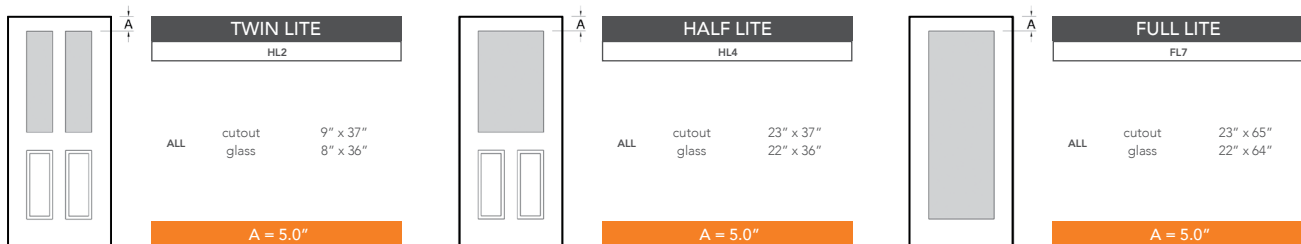
6'8" DRS61 SIX PANEL UTILITY DOOR

AVAILABLE SIZING



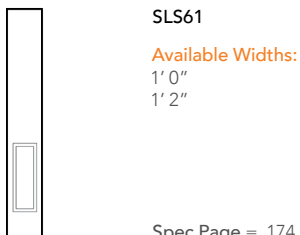
NOTE: BY REQUEST, DOOR HEIGHT COMES IN VARYING DIMENSIONS TO A MINIMUM OF 79". EXCESS WILL BE TAKEN FROM BOTTOM RAIL. ALL OTHER DIMENSIONS WILL REMAIN THE SAME.

CUTOUTS & GLASS



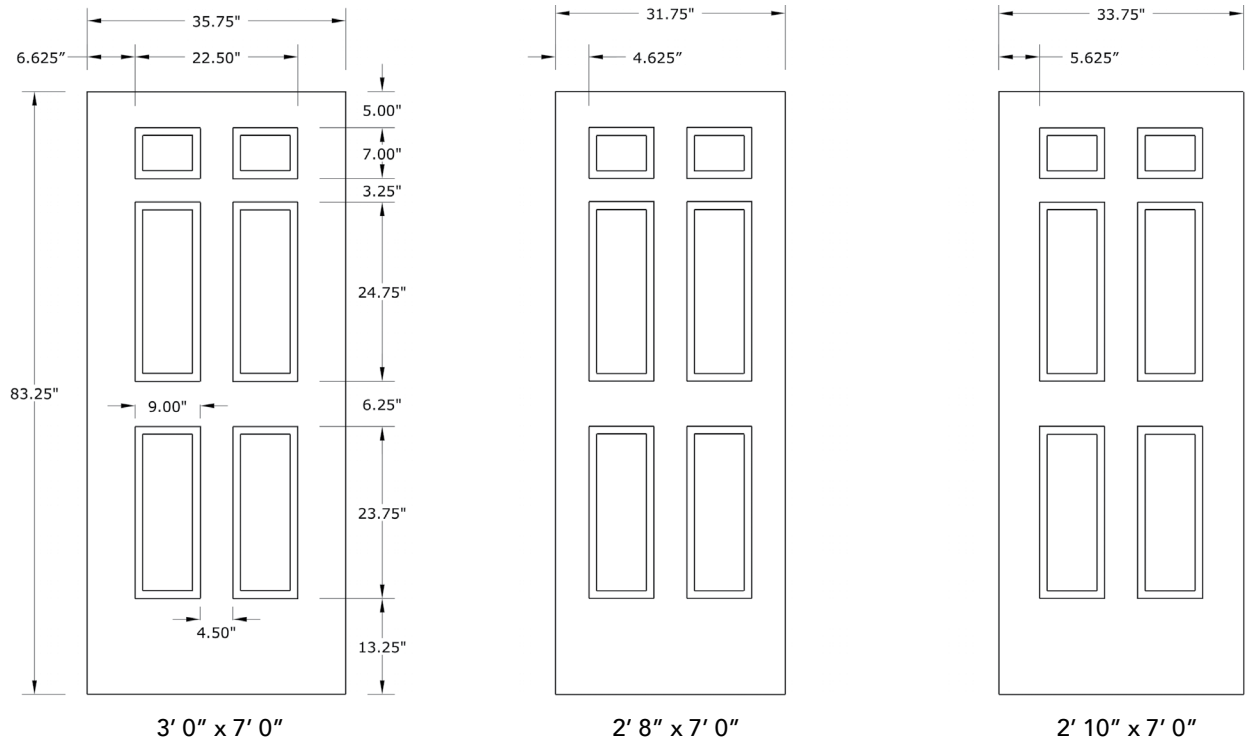
A = DISTANCE FROM TOP OF DOOR TO TOP OF CUTOUT

MATCHING SIDELITES



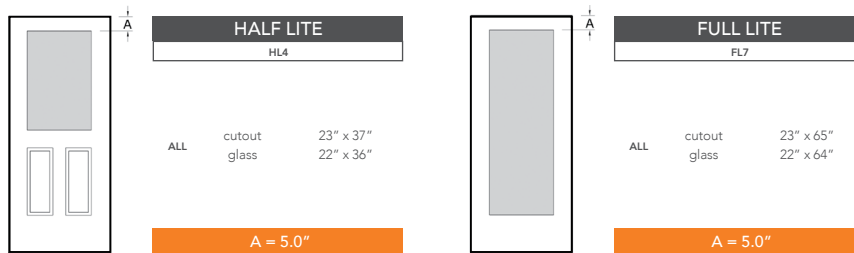
7'0" DRS6170 SIX PANEL UTILITY DOOR

AVAILABLE SIZING



NOTE: BY REQUEST, DOOR HEIGHT COMES IN VARYING DIMENSIONS TO A MINIMUM OF 83". EXCESS WILL BE TAKEN FROM BOTTOM RAIL. ALL OTHER DIMENSIONS WILL REMAIN THE SAME.

CUTOUTS & GLASS



A = DISTANCE FROM TOP OF DOOR TO TOP OF CUTOUT

MATCHING SIDELITES



SLS6170

Available Widths:

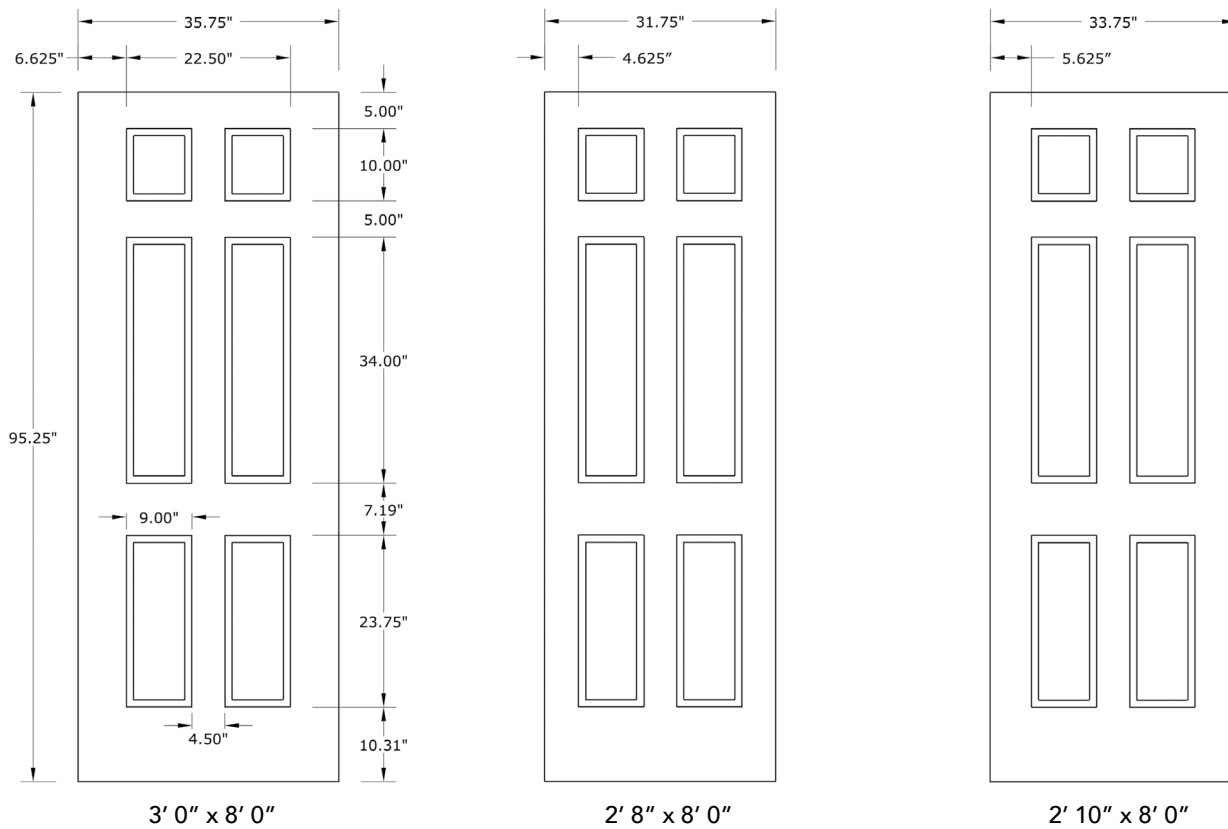
1' 0"

1' 2"

Spec Page = 175

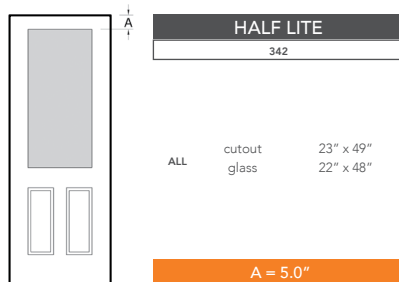
8'0" DRS6180 SIX PANEL UTILITY DOOR

AVAILABLE SIZING



NOTE: BY REQUEST, DOOR HEIGHT COMES IN VARYING DIMENSIONS TO A MINIMUM OF 95". EXCESS WILL BE TAKEN FROM BOTTOM RAIL. ALL OTHER DIMENSIONS WILL REMAIN THE SAME.

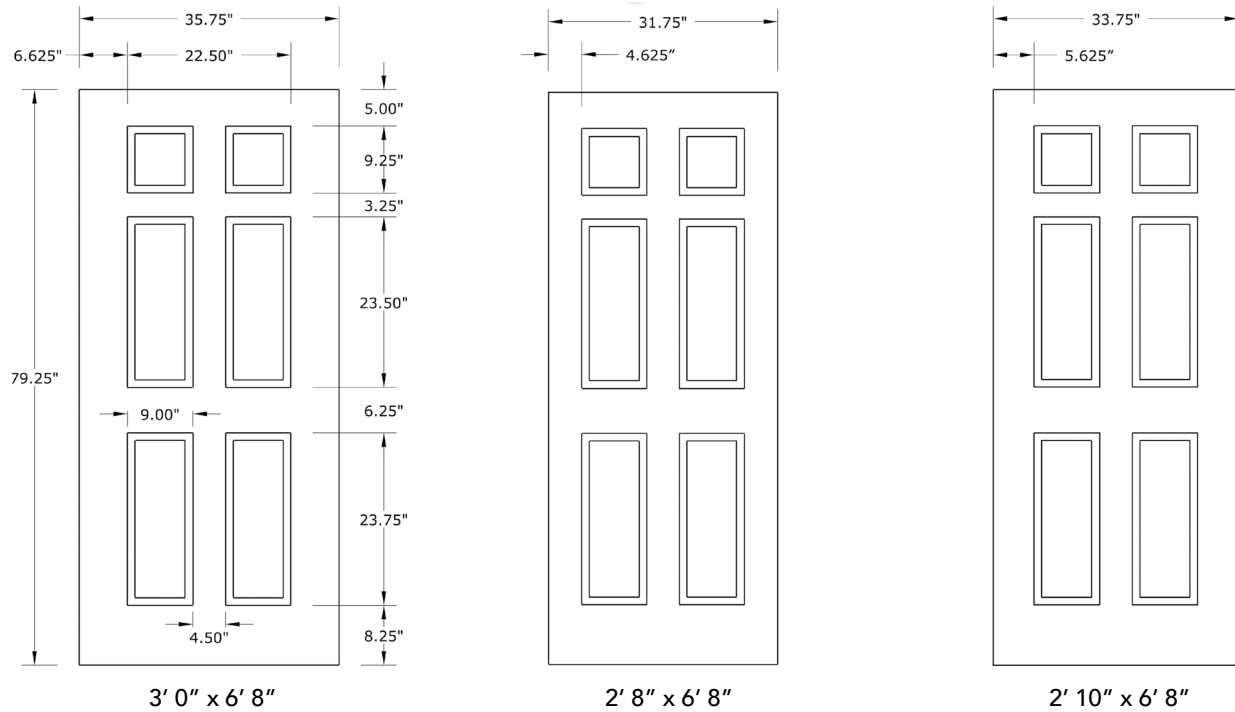
CUTOUTS & GLASS



A = DISTANCE FROM TOP OF DOOR TO TOP OF CUTOUT

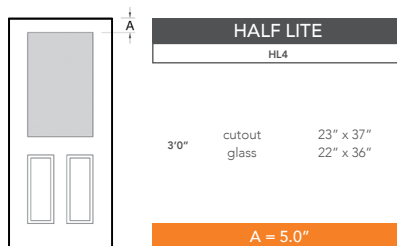
6'8" DRS63 TRUE SIX PANEL NARROW DOOR

AVAILABLE SIZING



NOTE: BY REQUEST, DOOR HEIGHT COMES IN VARYING DIMENSIONS TO A MINIMUM OF 79". EXCESS WILL BE TAKEN FROM BOTTOM RAIL. ALL OTHER DIMENSIONS WILL REMAIN THE SAME.

CUTOUTS & GLASS



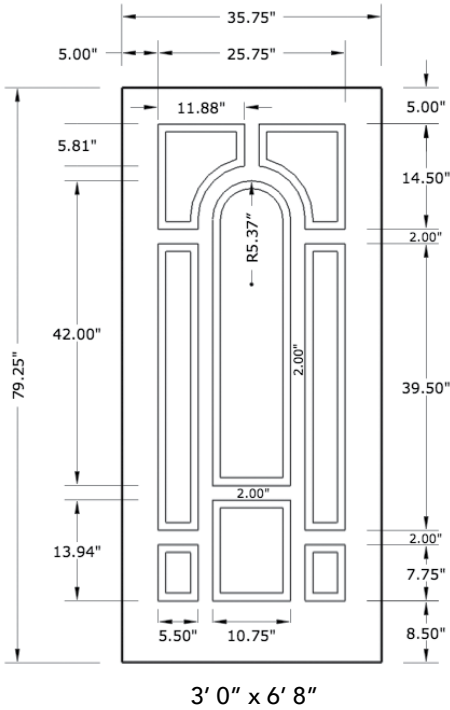
A = DISTANCE FROM TOP OF DOOR TO TOP OF CUTOUT

MATCHING SIDELITES



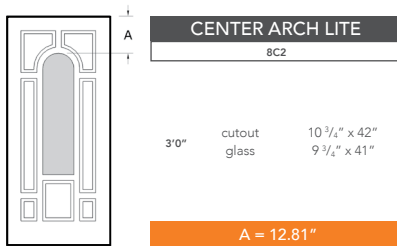
6'8" DRS80 EIGHT PANEL DOOR

AVAILABLE SIZING



NOTE: BY REQUEST, DOOR HEIGHT COMES IN VARYING DIMENSIONS TO A MINIMUM OF 79". EXCESS WILL BE TAKEN FROM BOTTOM RAIL. ALL OTHER DIMENSIONS WILL REMAIN THE SAME.

CUTOUTS & GLASS



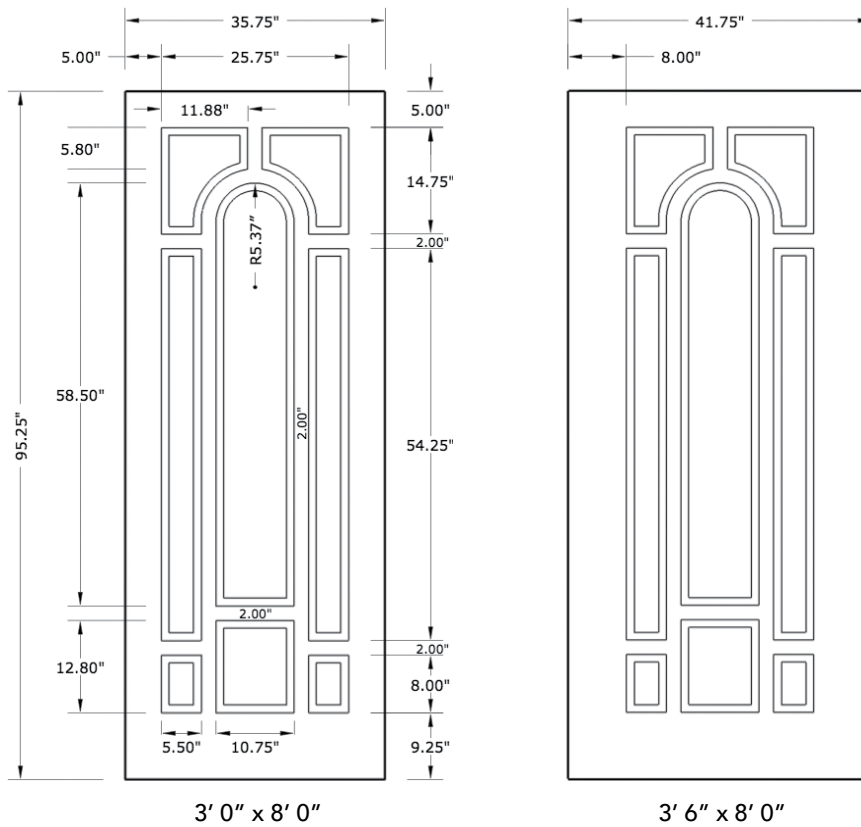
A = DISTANCE FROM TOP OF DOOR TO TOP OF CUTOUT

MATCHING SIDELITES



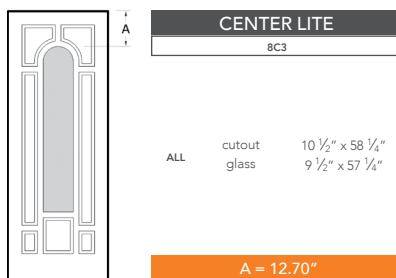
8'0" DRS8080 EIGHT PANEL DOOR

AVAILABLE SIZING



NOTE: BY REQUEST, DOOR HEIGHT COMES IN VARYING DIMENSIONS TO A MINIMUM OF 95". EXCESS WILL BE TAKEN FROM BOTTOM RAIL. ALL OTHER DIMENSIONS WILL REMAIN THE SAME.

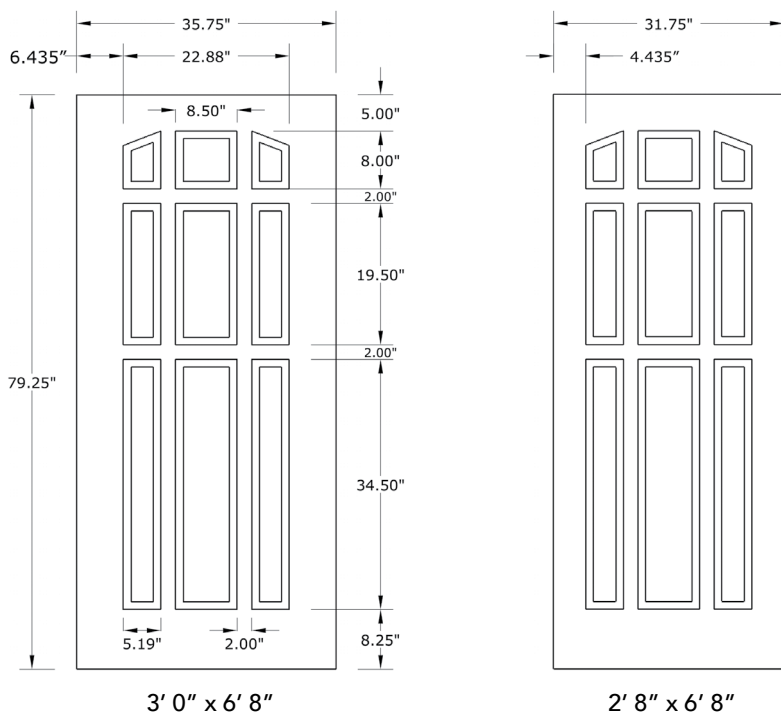
CUTOUTS & GLASS



A = DISTANCE FROM TOP OF DOOR TO TOP OF CUTOUT

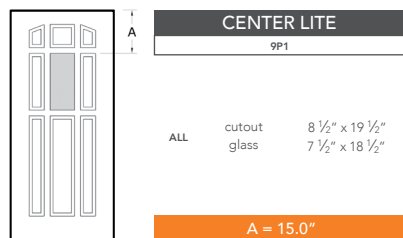
6'8" DRS90 NINE PANEL DOOR

AVAILABLE SIZING



NOTE: BY REQUEST, DOOR HEIGHT COMES IN VARYING DIMENSIONS TO A MINIMUM OF 79". EXCESS WILL BE TAKEN FROM BOTTOM RAIL. ALL OTHER DIMENSIONS WILL REMAIN THE SAME.

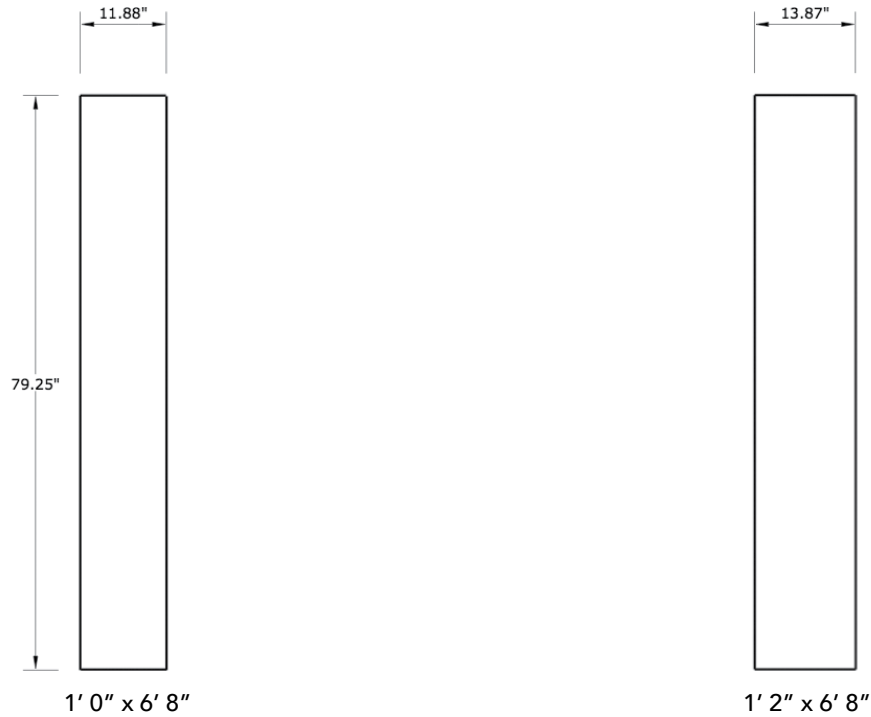
CUTOUTS & GLASS



A = DISTANCE FROM TOP OF DOOR TO TOP OF CUTOUT

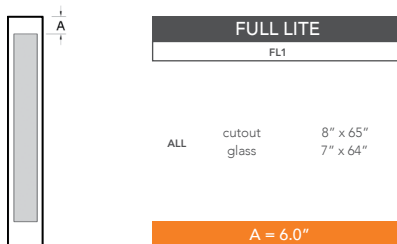
6'8" SLS00 FLUSH SIDELITE

AVAILABLE SIZING



NOTE: BY REQUEST, SIDELITE HEIGHT COMES IN VARYING DIMENSIONS TO A MINIMUM OF 79". EXCESS WILL BE TAKEN FROM BOTTOM RAIL. ALL OTHER DIMENSIONS WILL REMAIN THE SAME.

CUTOUTS & GLASS



A = DISTANCE FROM TOP OF SIDELITE TO TOP OF CUTOUT

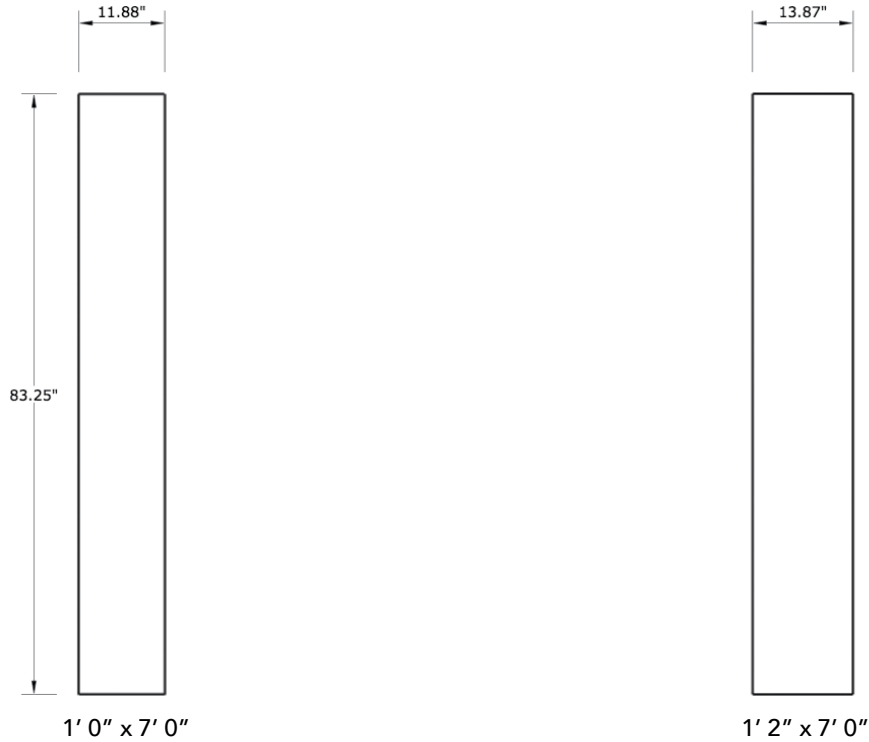
MATCHING DOORS



Spec Page = 127

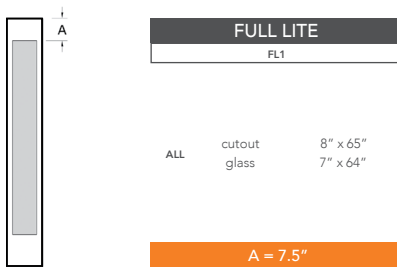
7'0" SLS0070 FLUSH SIDELITE

AVAILABLE SIZING



NOTE: BY REQUEST, SIDELITE HEIGHT COMES IN VARYING DIMENSIONS TO A MINIMUM OF 83". EXCESS WILL BE TAKEN FROM BOTTOM RAIL. ALL OTHER DIMENSIONS WILL REMAIN THE SAME.

CUTOUTS & GLASS



A = DISTANCE FROM TOP OF SIDELITE TO TOP OF CUTOUT

MATCHING DOORS



DRS0070

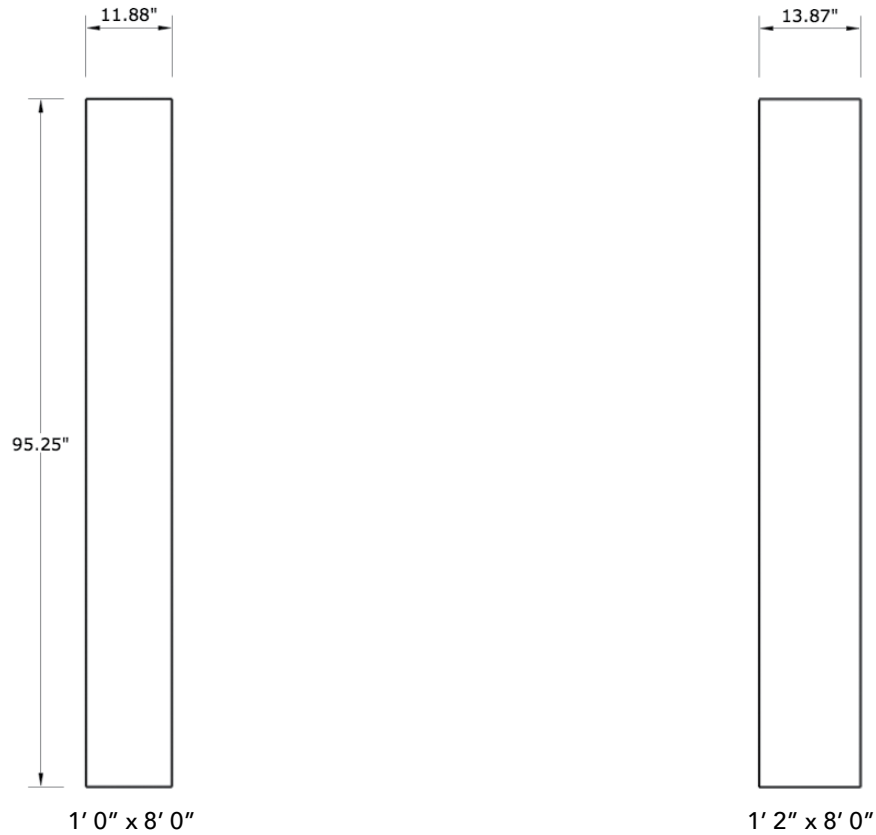
Available Widths:

2' 0" 2' 10"
 2' 4" 3' 0"
 2' 6" 3' 6"
 2' 8"

Spec Page = 128

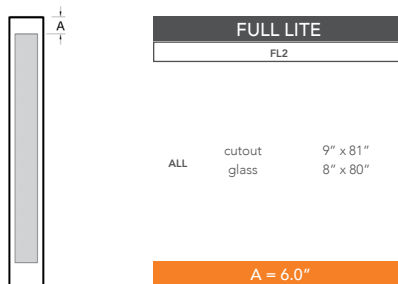
8'0" SLS0080 FLUSH SIDELITE

AVAILABLE SIZING



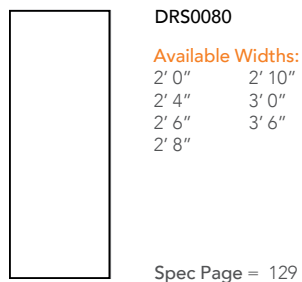
NOTE: BY REQUEST, SIDELITE HEIGHT COMES IN VARYING DIMENSIONS TO A MINIMUM OF 95". EXCESS WILL BE TAKEN FROM BOTTOM RAIL. ALL OTHER DIMENSIONS WILL REMAIN THE SAME.

CUTOUTS & GLASS



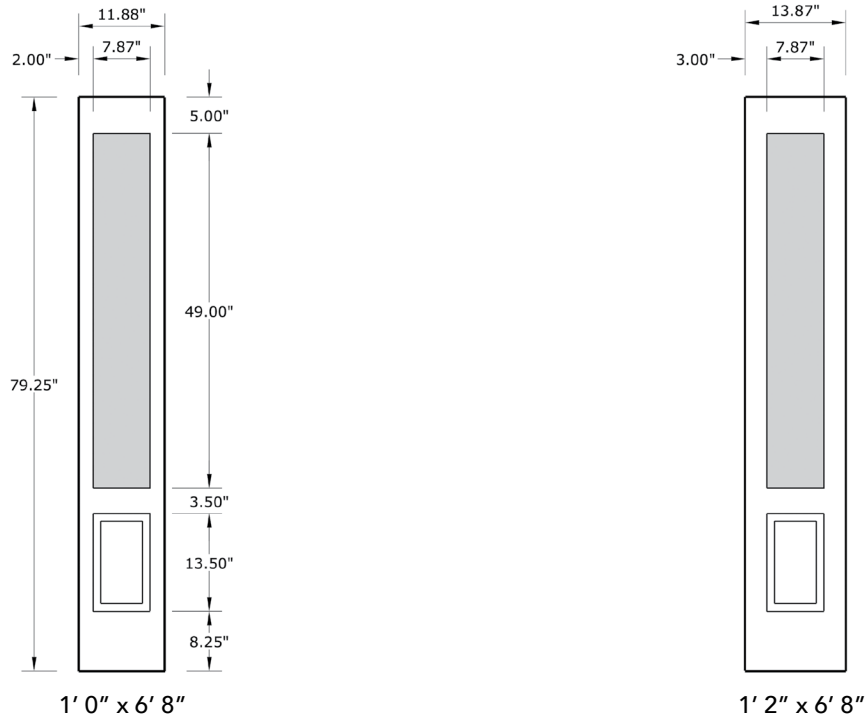
A = DISTANCE FROM TOP OF SIDELITE TO TOP OF CUTOUT

MATCHING DOORS



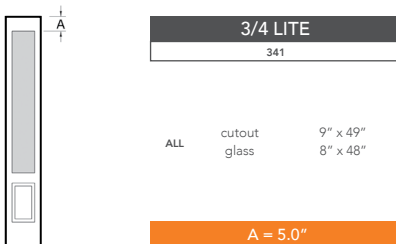
6'8" SLS3E 3/4 ELITE SIDELITE

AVAILABLE SIZING



NOTE: BY REQUEST, SIDELITE HEIGHT COMES IN VARYING DIMENSIONS TO A MINIMUM OF 79". EXCESS WILL BE TAKEN FROM BOTTOM RAIL. ALL OTHER DIMENSIONS WILL REMAIN THE SAME.

CUTOUTS & GLASS



A = DISTANCE FROM TOP OF SIDELITE TO TOP OF CUTOUT

MATCHING DOORS



DRS20

Available Widths:
3' 0"

Spec Page = 136



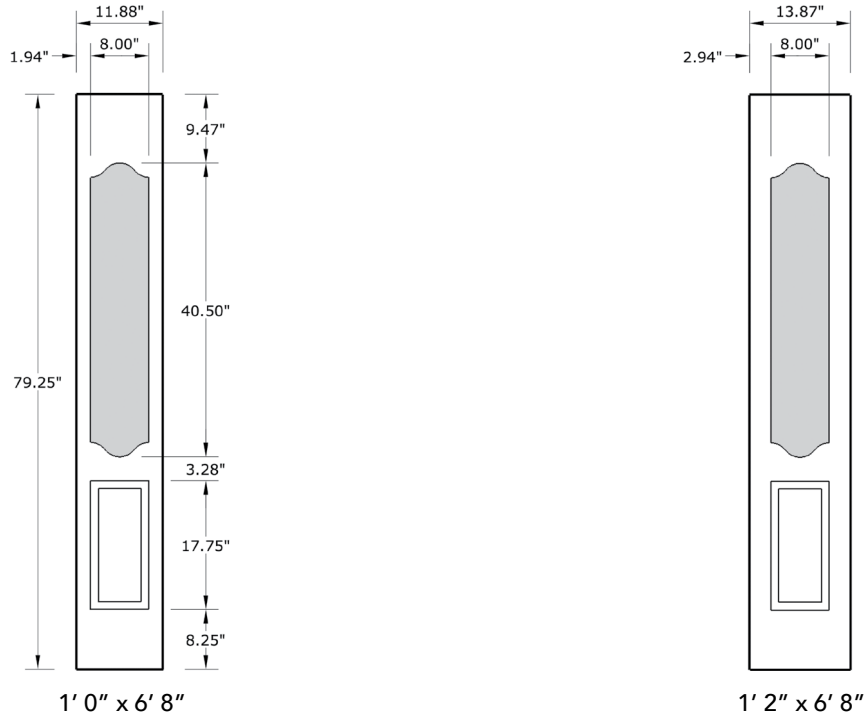
DRS3E

Available Widths:
3' 0"

Spec Page = 142

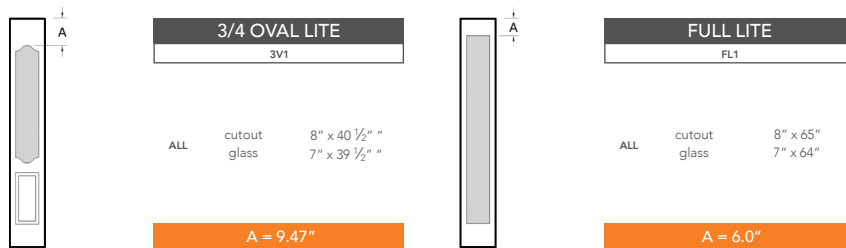
6'8" SLS3P 3/4 PREMIUM SIDELITE

AVAILABLE SIZING



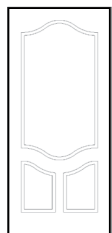
NOTE: BY REQUEST, SIDELITE HEIGHT COMES IN VARYING DIMENSIONS TO A MINIMUM OF 79". EXCESS WILL BE TAKEN FROM BOTTOM RAIL. ALL OTHER DIMENSIONS WILL REMAIN THE SAME.

CUTOUTS & GLASS



A = DISTANCE FROM TOP OF SIDELITE TO TOP OF CUTOUT

MATCHING DOORS



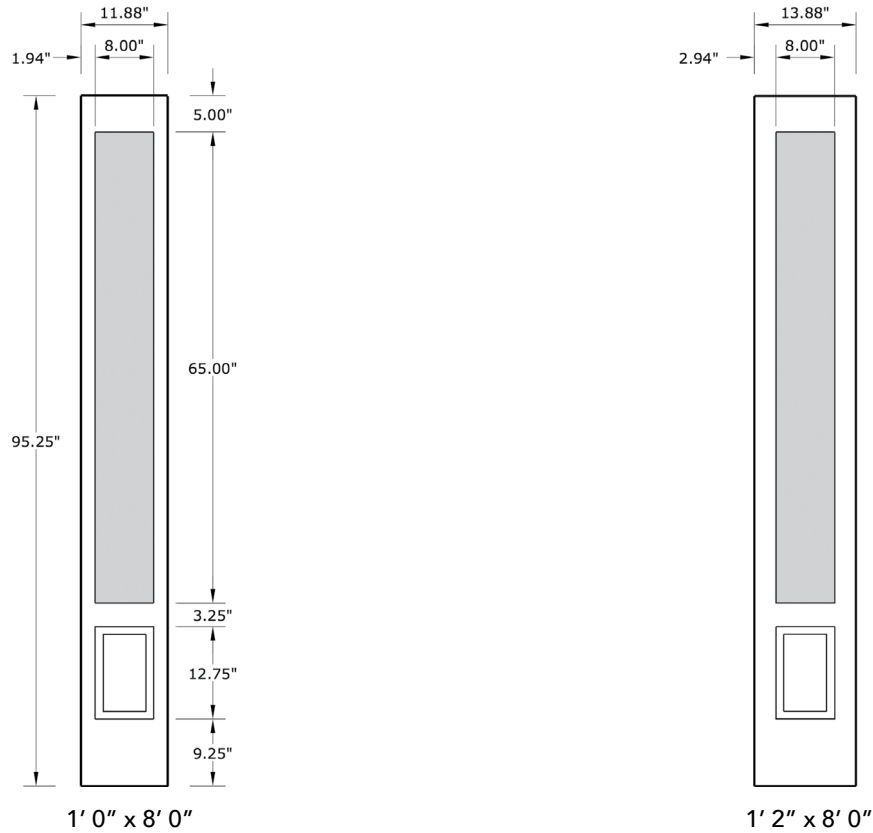
DRS3P

Available Widths:
3' 0"

Spec Page = 143

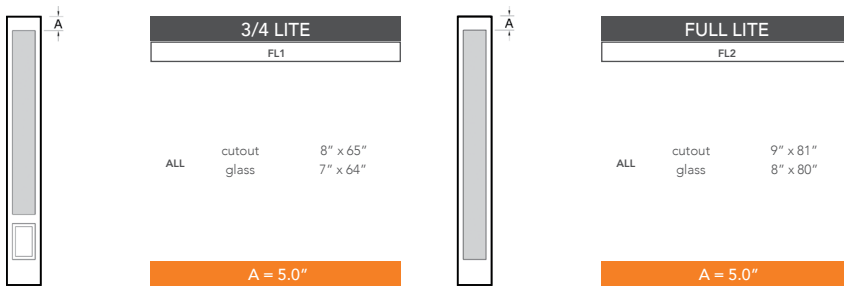
8'0" SLS3080 3/4 THREE PANEL SIDELITE

AVAILABLE SIZING



NOTE: BY REQUEST, SIDELITE HEIGHT COMES IN VARYING DIMENSIONS TO A MINIMUM OF 95". EXCESS WILL BE TAKEN FROM BOTTOM RAIL. ALL OTHER DIMENSIONS WILL REMAIN THE SAME.

CUTOUTS & GLASS



A = DISTANCE FROM TOP OF SIDELITE TO TOP OF CUTOUT

MATCHING DOORS



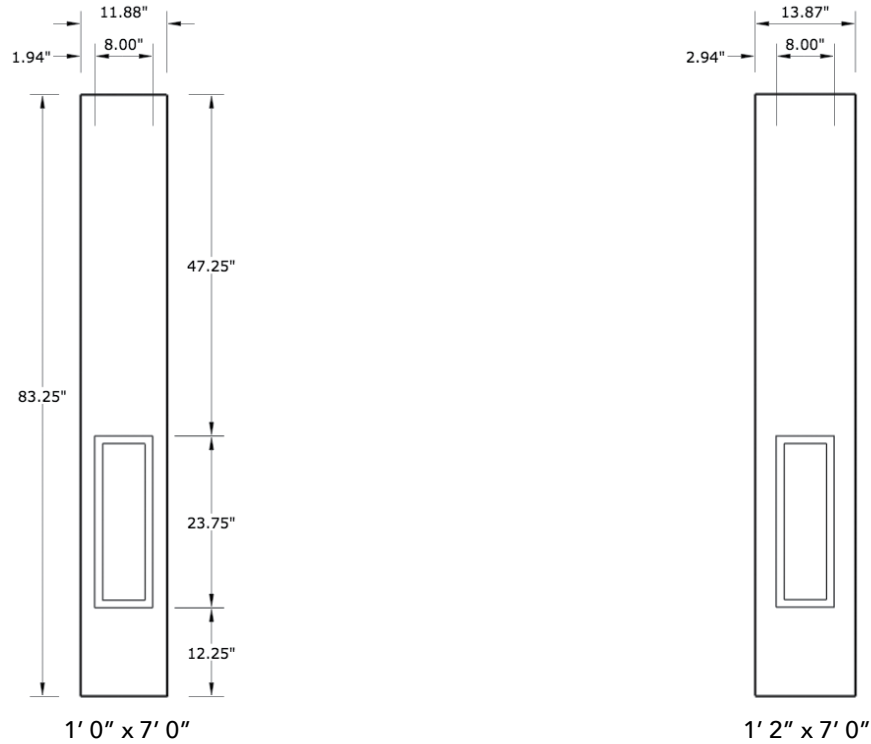
DRS2980
Available Widths:
 2' 8"
 2' 10"
 3' 0"
 Spec Page = 141



DRS3080
Available Widths:
 2' 8"
 3' 0"
 3' 6"
 Spec Page = 144

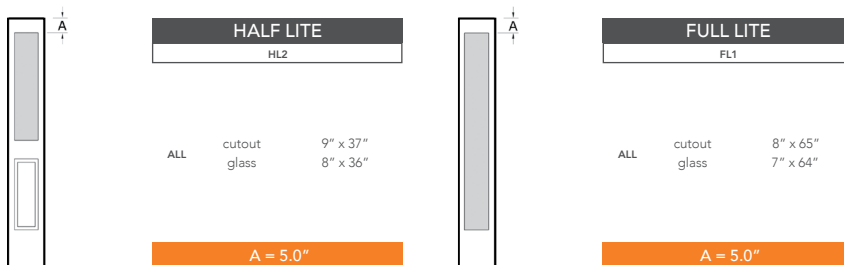
7'0" SLS4170 FOUR PANEL SIDELITE

AVAILABLE SIZING



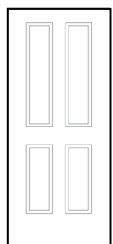
NOTE: BY REQUEST, SIDELITE HEIGHT COMES IN VARYING DIMENSIONS TO A MINIMUM OF 83". EXCESS WILL BE TAKEN FROM BOTTOM RAIL. ALL OTHER DIMENSIONS WILL REMAIN THE SAME.

CUTOUTS & GLASS



A = DISTANCE FROM TOP OF SIDELITE TO TOP OF CUTOUT

MATCHING DOORS



DRS4170

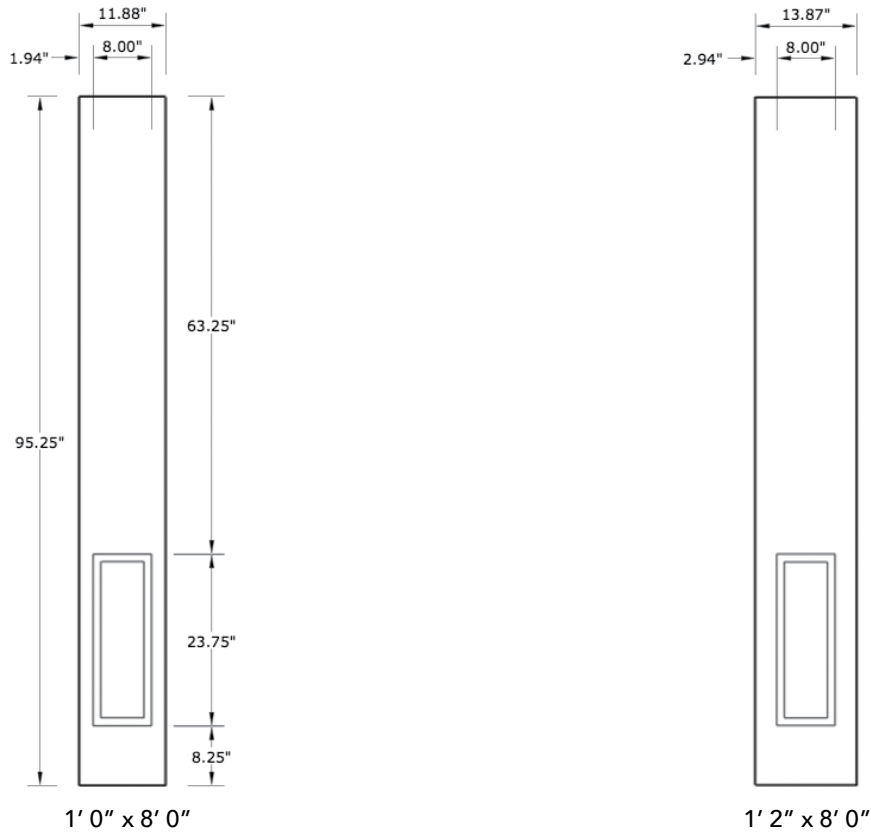
Available Widths:

2' 8"
2' 10"
3' 0"

Spec Page = 149

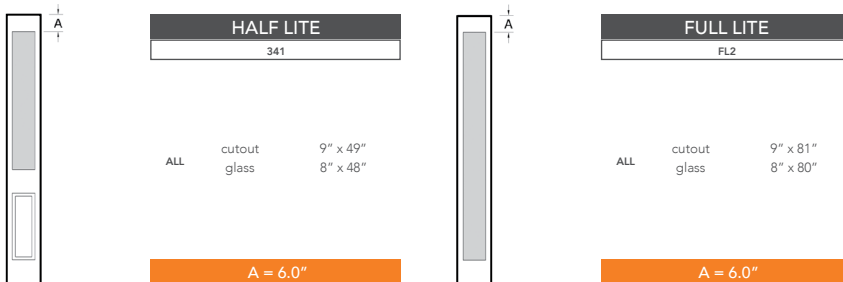
8'0" SLS4180 FOUR PANEL SIDELITE

AVAILABLE SIZING



NOTE: BY REQUEST, SIDELITE HEIGHT COMES IN VARYING DIMENSIONS TO A MINIMUM OF 95". EXCESS WILL BE TAKEN FROM BOTTOM RAIL. ALL OTHER DIMENSIONS WILL REMAIN THE SAME.

CUTOUTS & GLASS



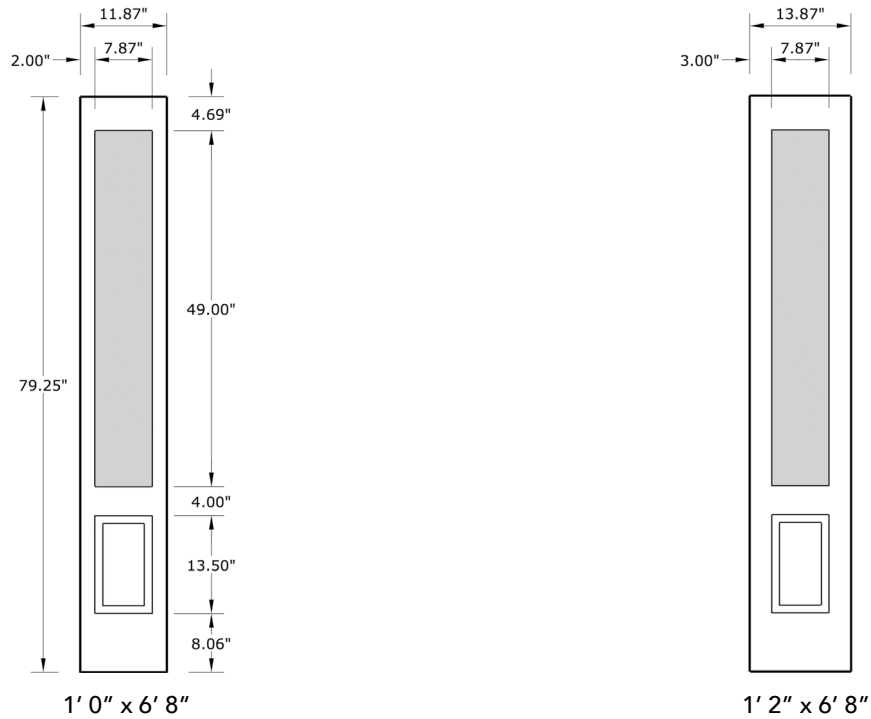
A = DISTANCE FROM TOP OF SIDELITE TO TOP OF CUTOUT

MATCHING DOORS



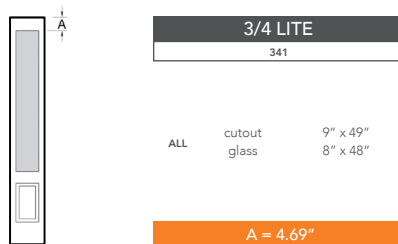
6'8" SLS49 3/4 FOUR PANEL SIDELITE

AVAILABLE SIZING



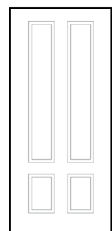
NOTE: BY REQUEST, SIDELITE HEIGHT COMES IN VARYING DIMENSIONS TO A MINIMUM OF 79". EXCESS WILL BE TAKEN FROM BOTTOM RAIL. ALL OTHER DIMENSIONS WILL REMAIN THE SAME.

CUTOUTS & GLASS



A = DISTANCE FROM TOP OF SIDELITE TO TOP OF CUTOUT

MATCHING DOORS



DRS49

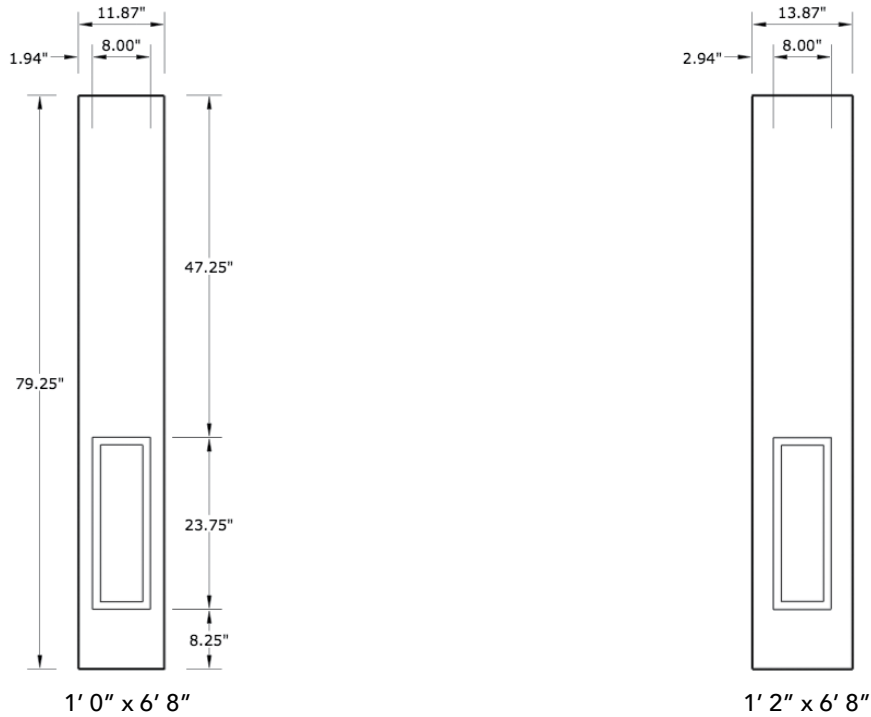
Available Widths:

2' 8"
2' 10"
3' 0"

Spec Page = 152

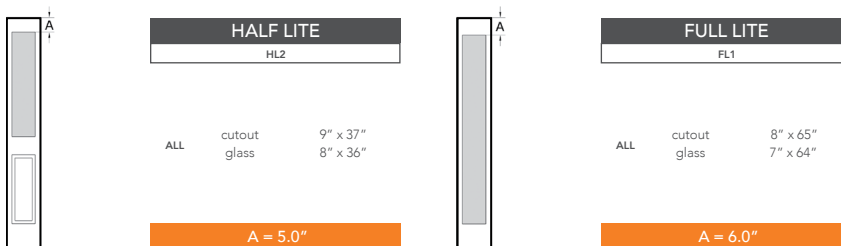
6'8" SLS60 SIX PANEL SIDELITE

AVAILABLE SIZING



NOTE: BY REQUEST, SIDELITE HEIGHT COMES IN VARYING DIMENSIONS TO A MINIMUM OF 79". EXCESS WILL BE TAKEN FROM BOTTOM RAIL. ALL OTHER DIMENSIONS WILL REMAIN THE SAME.

CUTOUTS & GLASS



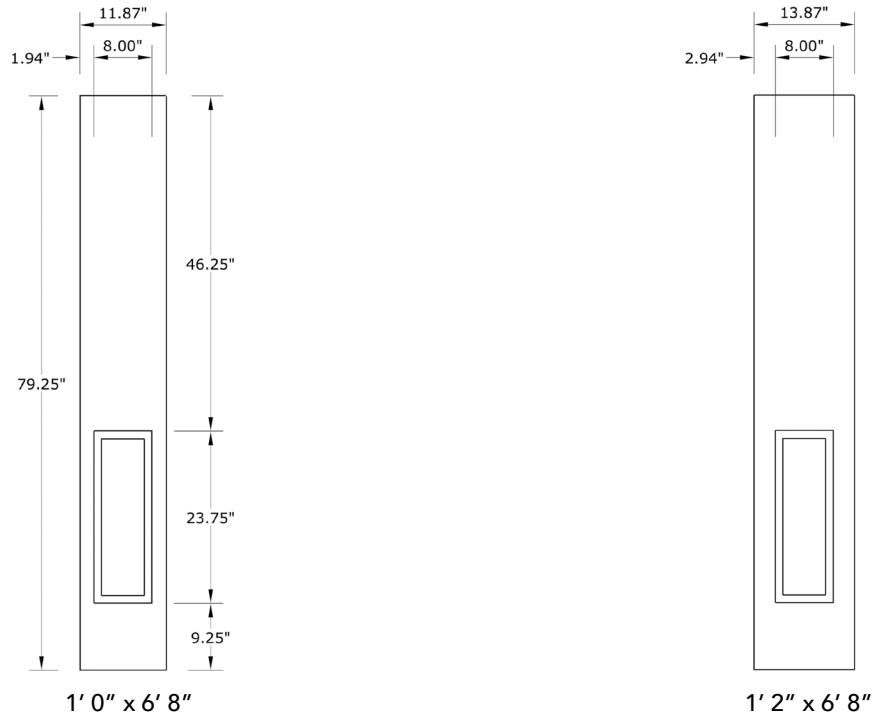
A = DISTANCE FROM TOP OF SIDELITE TO TOP OF CUTOUT

MATCHING DOORS



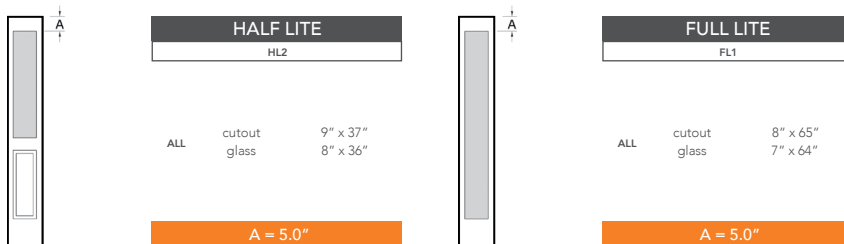
6'8" SLS61 SIX PANEL UTILITY SIDELITE

AVAILABLE SIZING



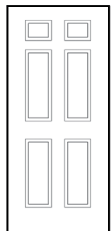
NOTE: BY REQUEST, SIDELITE HEIGHT COMES IN VARYING DIMENSIONS TO A MINIMUM OF 79". EXCESS WILL BE TAKEN FROM BOTTOM RAIL. ALL OTHER DIMENSIONS WILL REMAIN THE SAME.

CUTOUTS & GLASS



A = DISTANCE FROM TOP OF SIDELITE TO TOP OF CUTOUT

MATCHING DOORS



DRS61

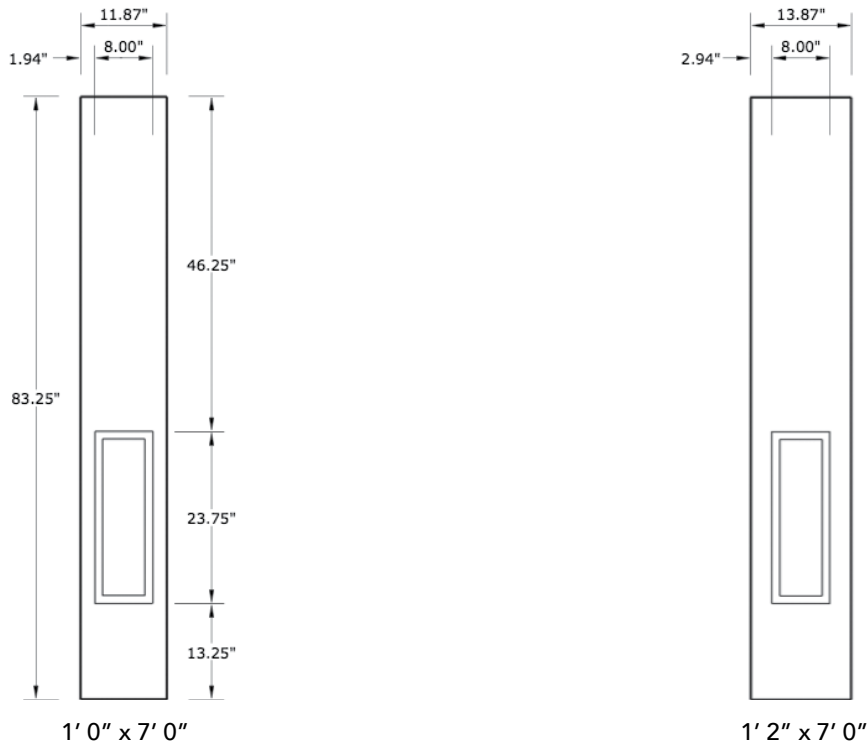
Available Widths:

2' 8"
2' 10"
3' 0"

Spec Page = 157

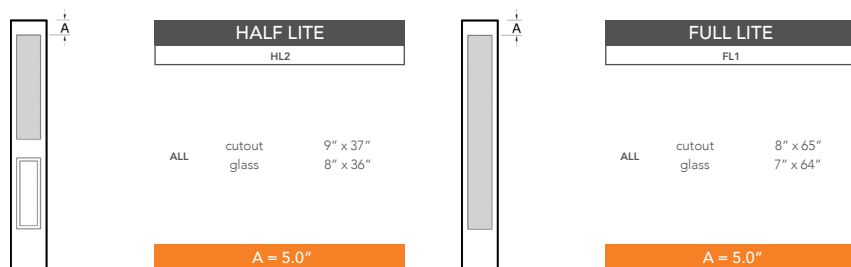
7'0" SLS6170 SIX PANEL UTILITY SIDELITE

AVAILABLE SIZING



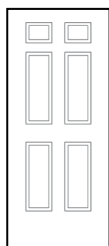
NOTE: BY REQUEST, SIDELITE HEIGHT COMES IN VARYING DIMENSIONS TO A MINIMUM OF 83". EXCESS WILL BE TAKEN FROM BOTTOM RAIL. ALL OTHER DIMENSIONS WILL REMAIN THE SAME.

CUTOUTS & GLASS



A = DISTANCE FROM TOP OF SIDELITE TO TOP OF CUTOUT

MATCHING DOORS



DRS6170

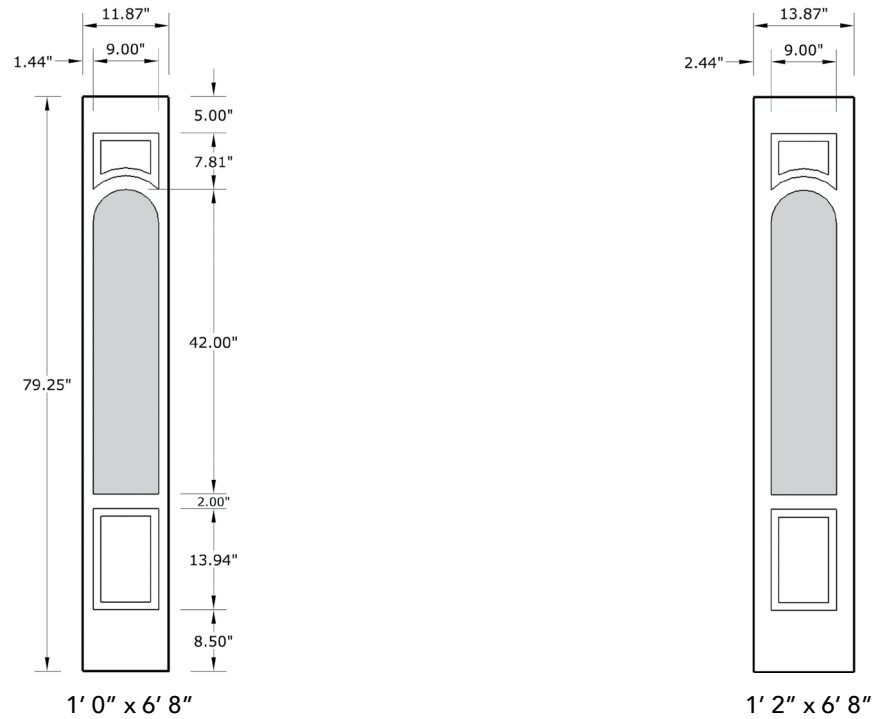
Available Widths:

- 2' 8"
- 2' 10"
- 3' 0"

Spec Page = 158

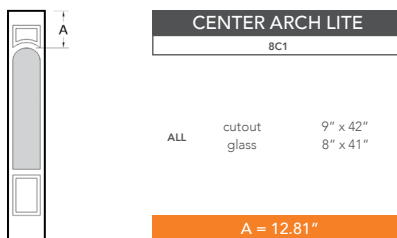
6'8" SLS80 EIGHT PANEL SIDELITE

AVAILABLE SIZING



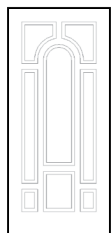
NOTE: BY REQUEST, SIDELITE HEIGHT COMES IN VARYING DIMENSIONS TO A MINIMUM OF 79". EXCESS WILL BE TAKEN FROM BOTTOM RAIL. ALL OTHER DIMENSIONS WILL REMAIN THE SAME.

CUTOUTS & GLASS



A = DISTANCE FROM TOP OF SIDELITE TO TOP OF CUTOUT

MATCHING DOORS



DRS80

Available Widths:
3' 0"

Spec Page = 161



3 PANEL SHAKER DRS3F80

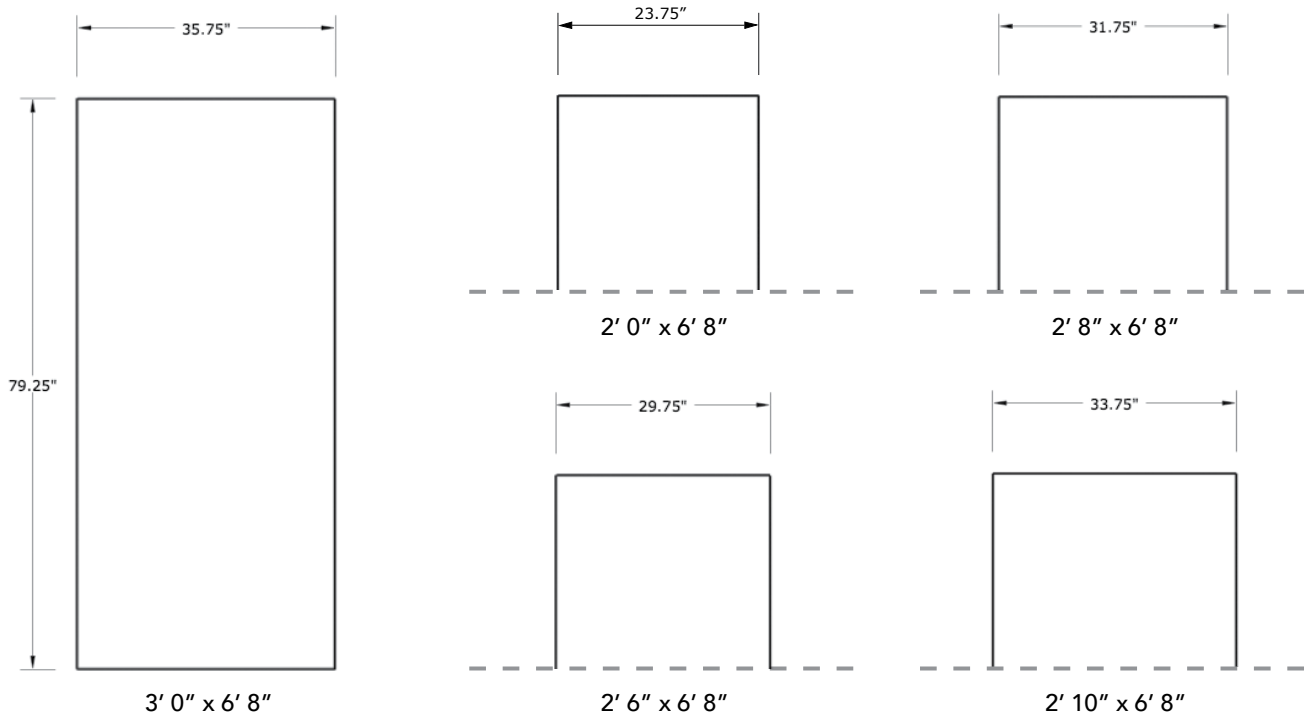
WHITE OAK SERIES

The White Oak Series combines the best features of our Smooth and Oak Doors. Any home can enjoy a rich oak texture pattern in a pre-pigmented white skin. With many choices of decorative glass to choose from, create a look that is both timeless and modern.

PG 178 - 191

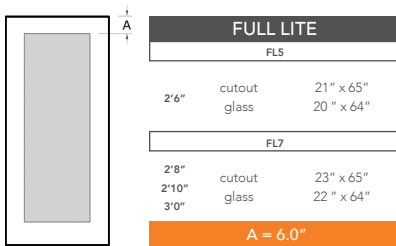
6'8" DRV00 FLUSH DOOR

AVAILABLE SIZING



NOTE: BY REQUEST, DOOR HEIGHT COMES IN VARYING DIMENSIONS TO A MINIMUM OF 79". EXCESS WILL BE TAKEN FROM BOTTOM RAIL. ALL OTHER DIMENSIONS WILL REMAIN THE SAME.

CUTOUTS & GLASS



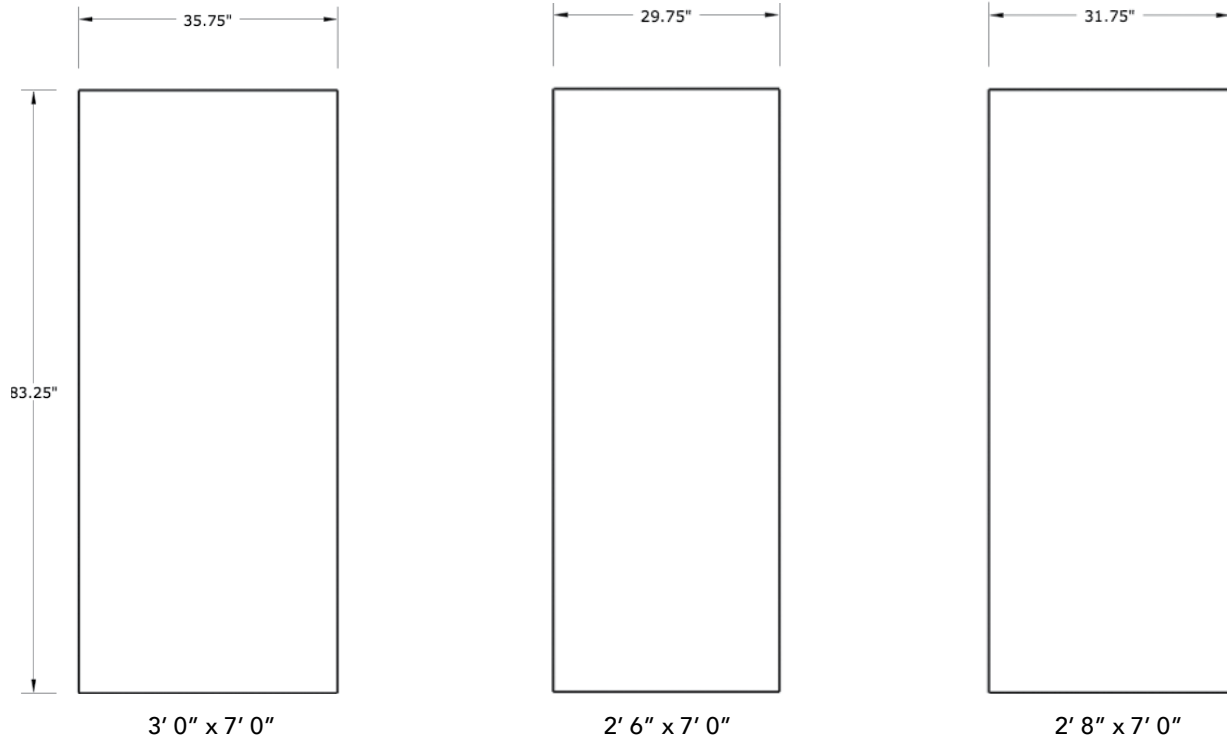
A = DISTANCE FROM TOP OF DOOR TO TOP OF CUTOUT

MATCHING SIDELITES



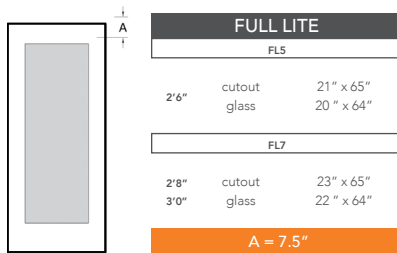
7'0" DRV0070 FLUSH DOOR

AVAILABLE SIZING



NOTE: BY REQUEST, DOOR HEIGHT COMES IN VARYING DIMENSIONS TO A MINIMUM OF 83". EXCESS WILL BE TAKEN FROM BOTTOM RAIL. ALL OTHER DIMENSIONS WILL REMAIN THE SAME.

CUTOUTS & GLASS

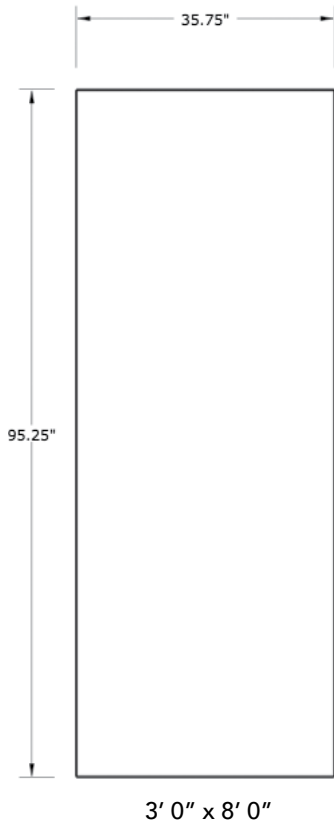


A = DISTANCE FROM TOP OF DOOR TO TOP OF CUTOUT

MATCHING SIDELITES

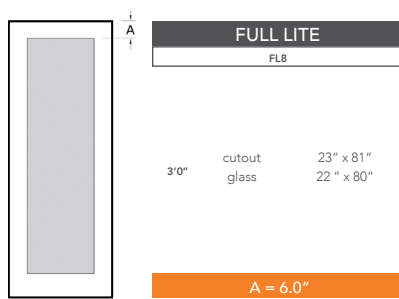
8'0" DRV0080 FLUSH DOOR

AVAILABLE SIZING



NOTE: BY REQUEST, DOOR HEIGHT COMES IN VARYING DIMENSIONS TO A MINIMUM OF 95". EXCESS WILL BE TAKEN FROM BOTTOM RAIL. ALL OTHER DIMENSIONS WILL REMAIN THE SAME.

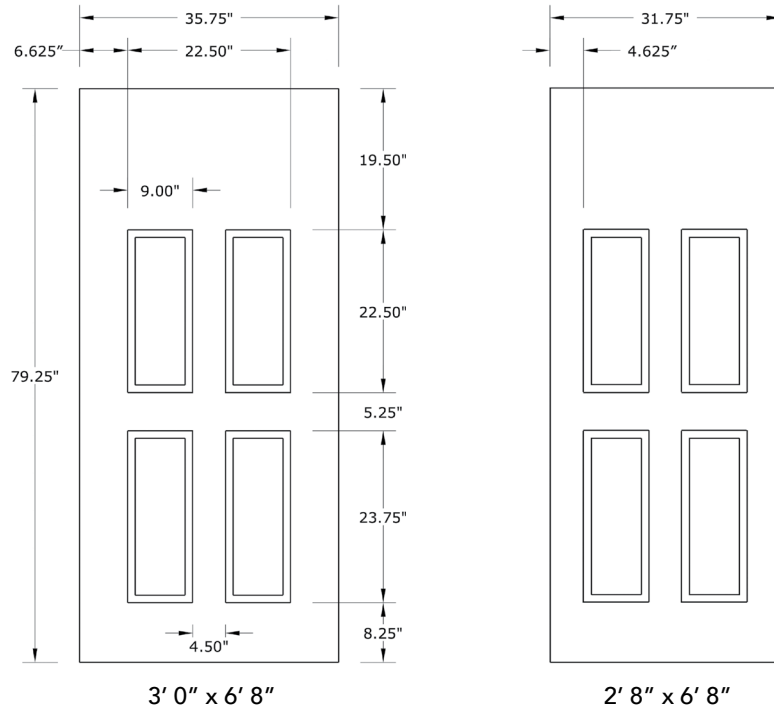
CUTOUTS & GLASS



A = DISTANCE FROM TOP OF DOOR TO TOP OF CUTOUT

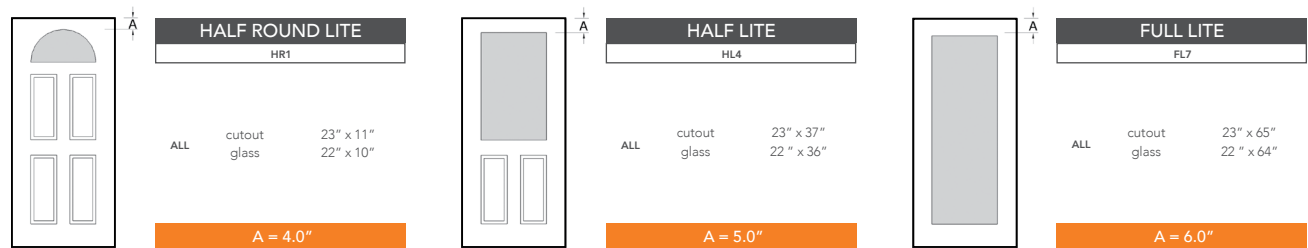
6'8" DRW40 FOUR PANEL BLANK TOP DOOR

AVAILABLE SIZING



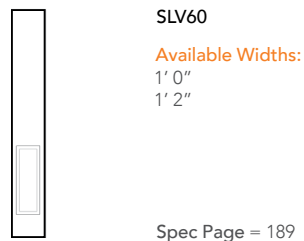
NOTE: BY REQUEST, DOOR HEIGHT COMES IN VARYING DIMENSIONS TO A MINIMUM OF 79". EXCESS WILL BE TAKEN FROM BOTTOM RAIL. ALL OTHER DIMENSIONS WILL REMAIN THE SAME.

CUTOUTS & GLASS



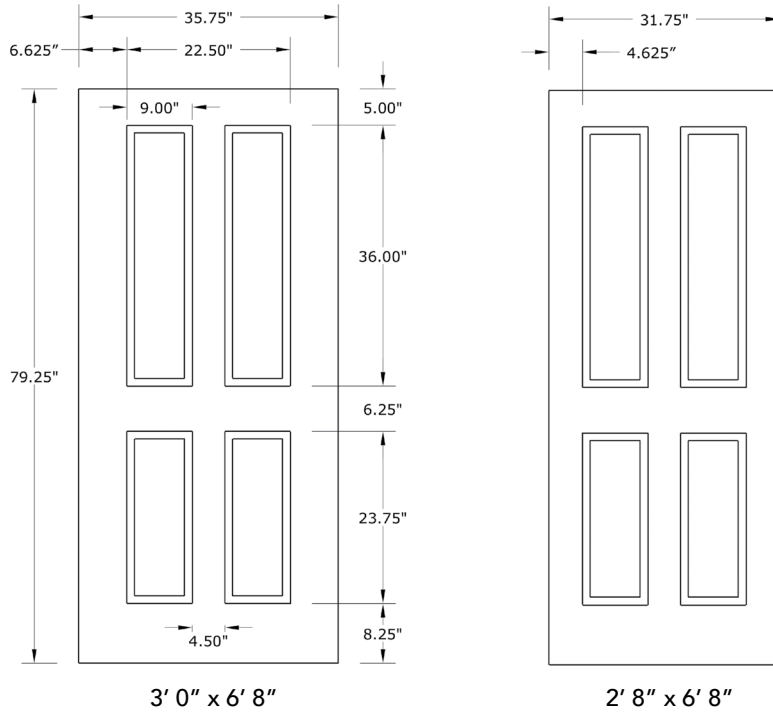
A = DISTANCE FROM TOP OF DOOR TO TOP OF CUTOUT

MATCHING SIDELITES



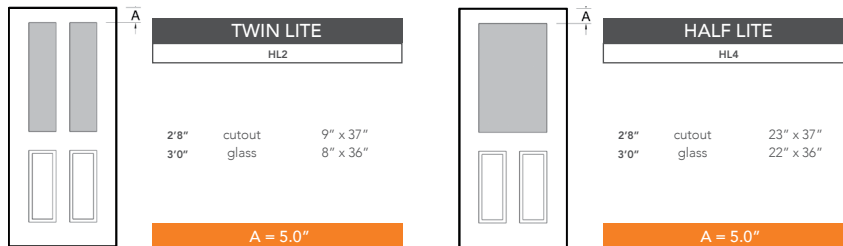
6'8" DRV41 TRUE FOUR PANEL DOOR

AVAILABLE SIZING



NOTE: BY REQUEST, DOOR HEIGHT COMES IN VARYING DIMENSIONS TO A MINIMUM OF 79". EXCESS WILL BE TAKEN FROM BOTTOM RAIL. ALL OTHER DIMENSIONS WILL REMAIN THE SAME.

CUTOUTS & GLASS



A = DISTANCE FROM TOP OF DOOR TO TOP OF CUTOUT

MATCHING SIDELITES

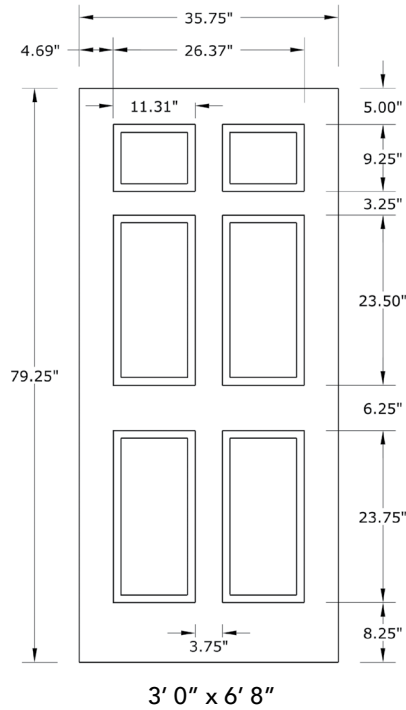


SLV60
Available Widths:
1' 0"
1' 2"

Spec Page = 189

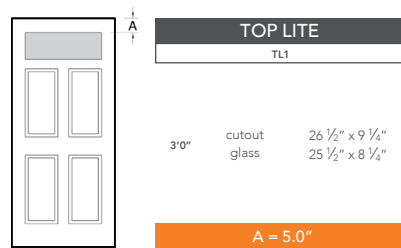
6'8" DRV60 SIX PANEL DOOR

AVAILABLE SIZING



NOTE: BY REQUEST, DOOR HEIGHT COMES IN VARYING DIMENSIONS TO A MINIMUM OF 79". EXCESS WILL BE TAKEN FROM BOTTOM RAIL. ALL OTHER DIMENSIONS WILL REMAIN THE SAME.

CUTOUTS & GLASS



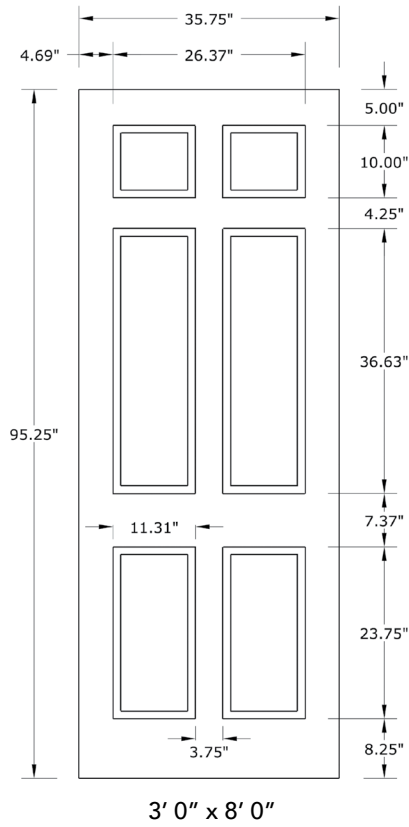
A = DISTANCE FROM TOP OF DOOR TO TOP OF CUTOUT

MATCHING SIDELITES



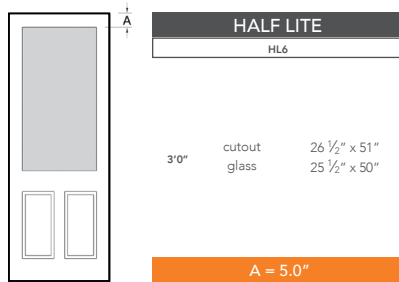
8'0" DRW6080 SIX PANEL DOOR

AVAILABLE SIZING



NOTE: BY REQUEST, DOOR HEIGHT COMES IN VARYING DIMENSIONS TO A MINIMUM OF 95". EXCESS WILL BE TAKEN FROM BOTTOM RAIL. ALL OTHER DIMENSIONS WILL REMAIN THE SAME.

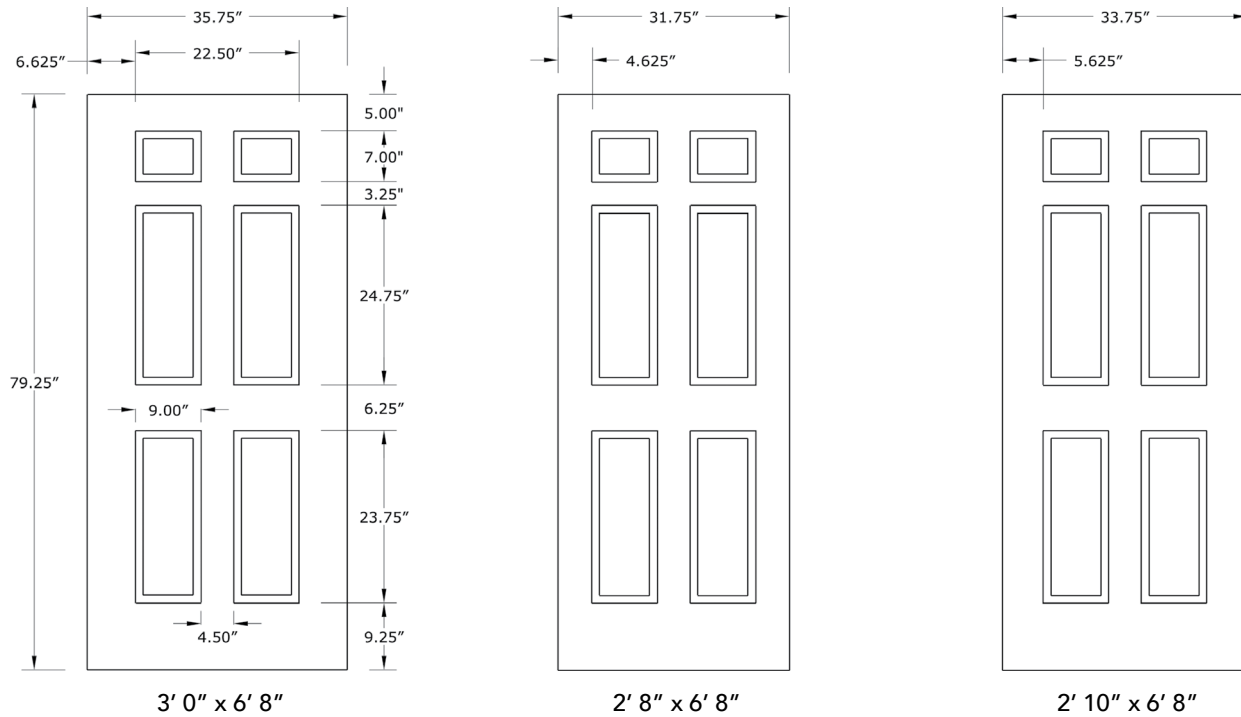
CUTOUTS & GLASS



A = DISTANCE FROM TOP OF DOOR TO TOP OF CUTOUT

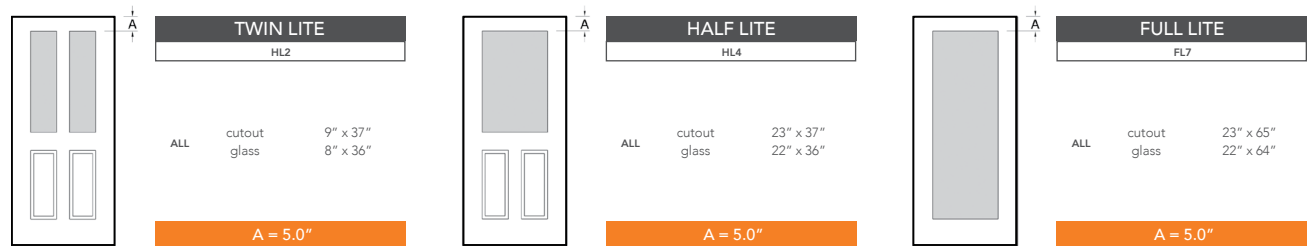
6'8" DRV61 SIX PANEL UTILITY DOOR

AVAILABLE SIZING



NOTE: BY REQUEST, DOOR HEIGHT COMES IN VARYING DIMENSIONS TO A MINIMUM OF 79". EXCESS WILL BE TAKEN FROM BOTTOM RAIL. ALL OTHER DIMENSIONS WILL REMAIN THE SAME.

CUTOUTS & GLASS



A = DISTANCE FROM TOP OF DOOR TO TOP OF CUTOUT

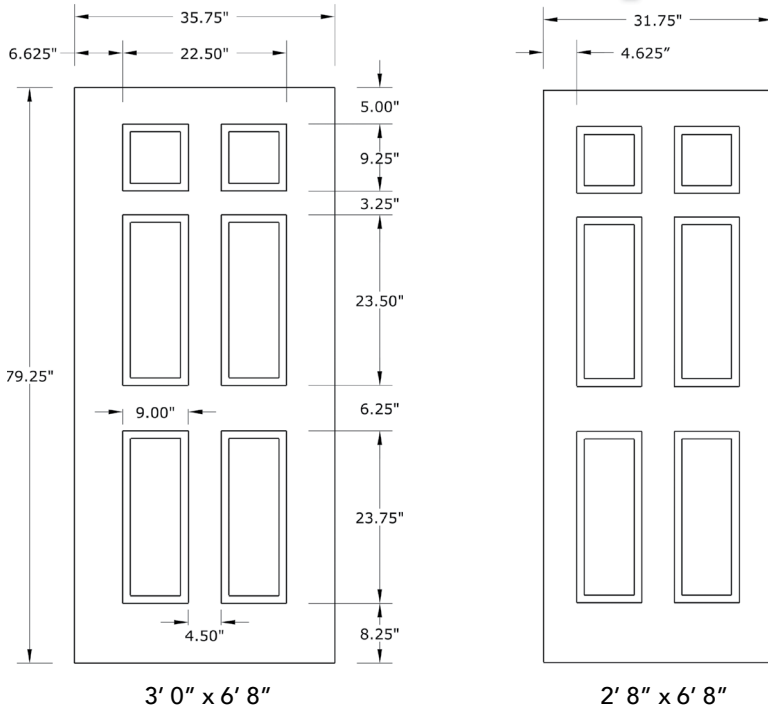
MATCHING SIDELITES



Spec Page = 190

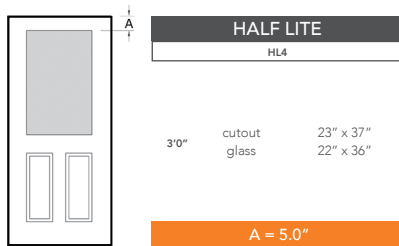
6'8" DRV63 TRUE SIX PANEL NARROW DOOR

AVAILABLE SIZING



NOTE: BY REQUEST, DOOR HEIGHT COMES IN VARYING DIMENSIONS TO A MINIMUM OF 79". EXCESS WILL BE TAKEN FROM BOTTOM RAIL. ALL OTHER DIMENSIONS WILL REMAIN THE SAME.

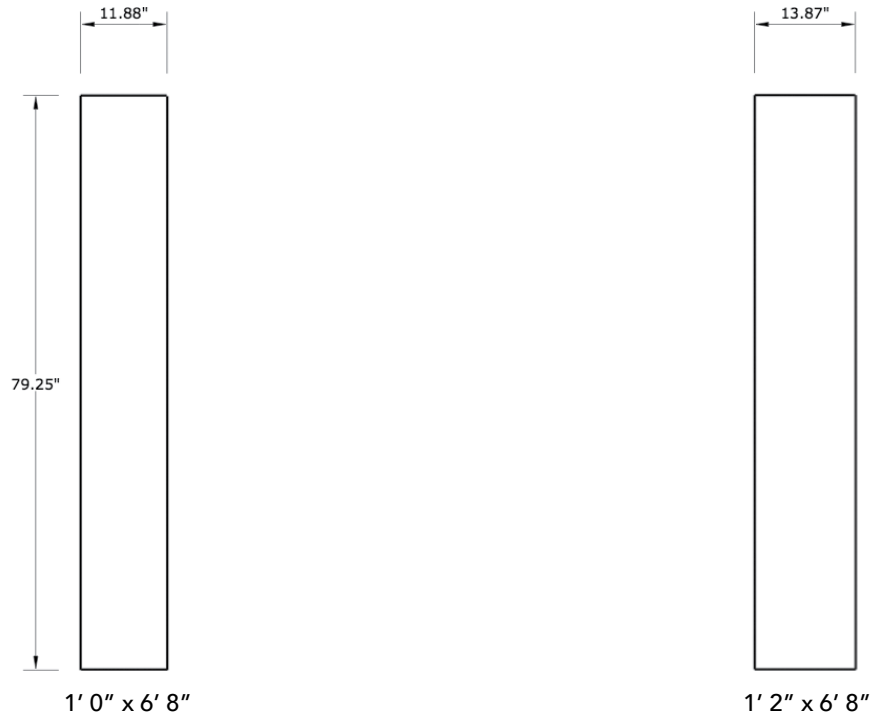
CUTOUTS & GLASS



A = DISTANCE FROM TOP OF DOOR TO TOP OF CUTOUT

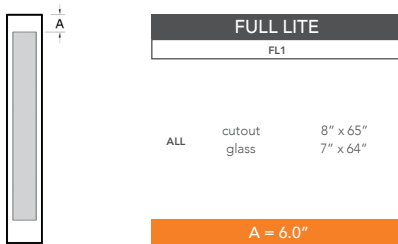
6'8" SLV00 FLUSH SIDELITE

AVAILABLE SIZING



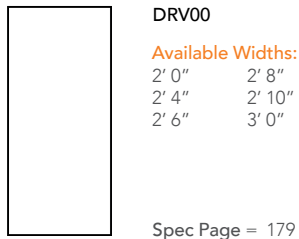
NOTE: BY REQUEST, SIDELITE HEIGHT COMES IN VARYING DIMENSIONS TO A MINIMUM OF 79". EXCESS WILL BE TAKEN FROM BOTTOM RAIL. ALL OTHER DIMENSIONS WILL REMAIN THE SAME.

CUTOUTS & GLASS



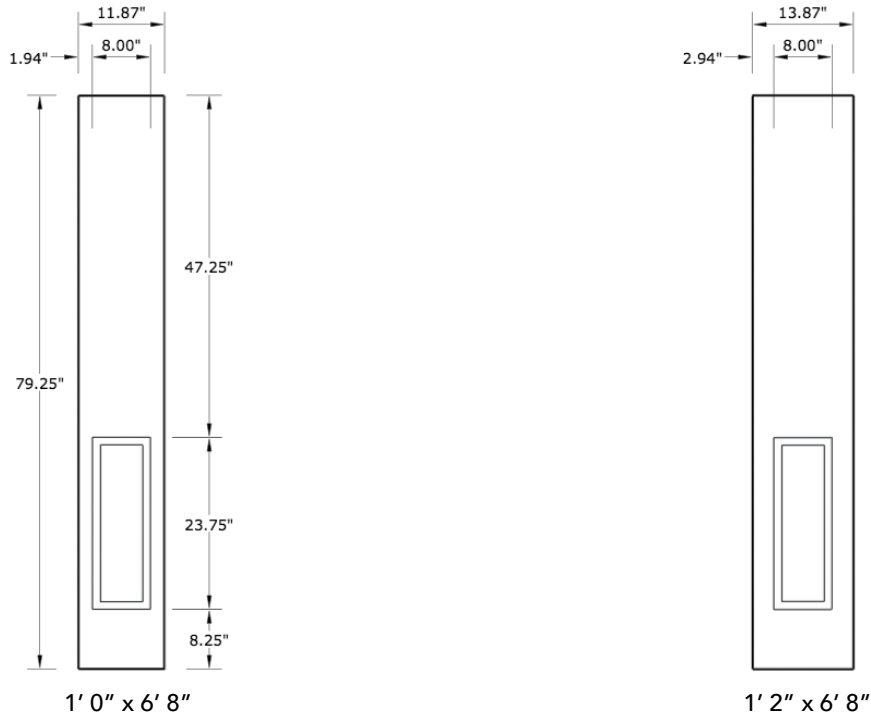
A = DISTANCE FROM TOP OF SIDELITE TO TOP OF CUTOUT

MATCHING DOORS



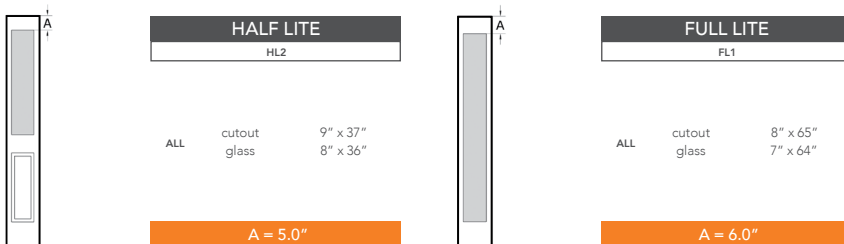
6'8" SLV60 SIX PANEL SIDELITE

AVAILABLE SIZING



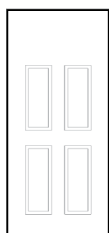
NOTE: BY REQUEST, SIDELITE HEIGHT COMES IN VARYING DIMENSIONS TO A MINIMUM OF 79". EXCESS WILL BE TAKEN FROM BOTTOM RAIL. ALL OTHER DIMENSIONS WILL REMAIN THE SAME.

CUTOUTS & GLASS



A = DISTANCE FROM TOP OF SIDELITE TO TOP OF CUTOUT

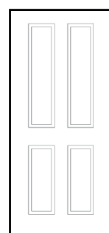
MATCHING DOORS



DRV40

Available Widths:
2' 8"
2' 10"
3' 0"

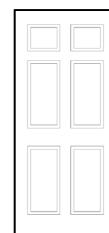
Spec Page = 182



DRV41

Available Widths:
2' 8"
2' 10"
3' 0"

Spec Page = 183



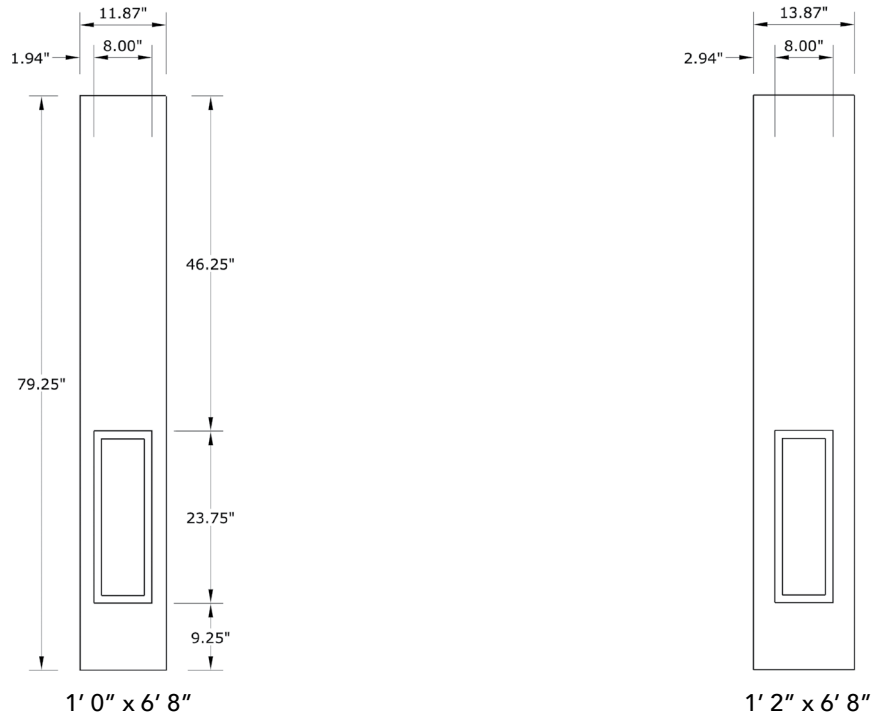
DRV60

Available Widths:
2' 6"
3' 0"

Spec Page = 184

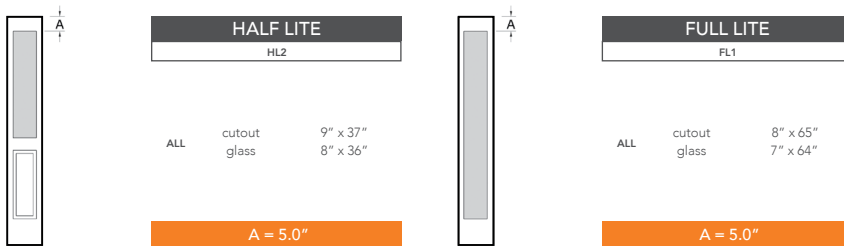
6'8" SLV61 SIX PANEL UTILITY SIDELITE

AVAILABLE SIZING



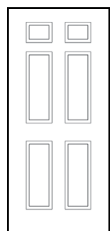
NOTE: BY REQUEST, SIDELITE HEIGHT COMES IN VARYING DIMENSIONS TO A MINIMUM OF 79". EXCESS WILL BE TAKEN FROM BOTTOM RAIL. ALL OTHER DIMENSIONS WILL REMAIN THE SAME.

CUTOUTS & GLASS



A = DISTANCE FROM TOP OF SIDELITE TO TOP OF CUTOUT

MATCHING DOORS



DRV61

Available Widths:

- 2' 8"
- 2' 10"
- 3' 0"

Spec Page = 186



ONE PANEL SHAKER DRS1K

ONELITE SERIES

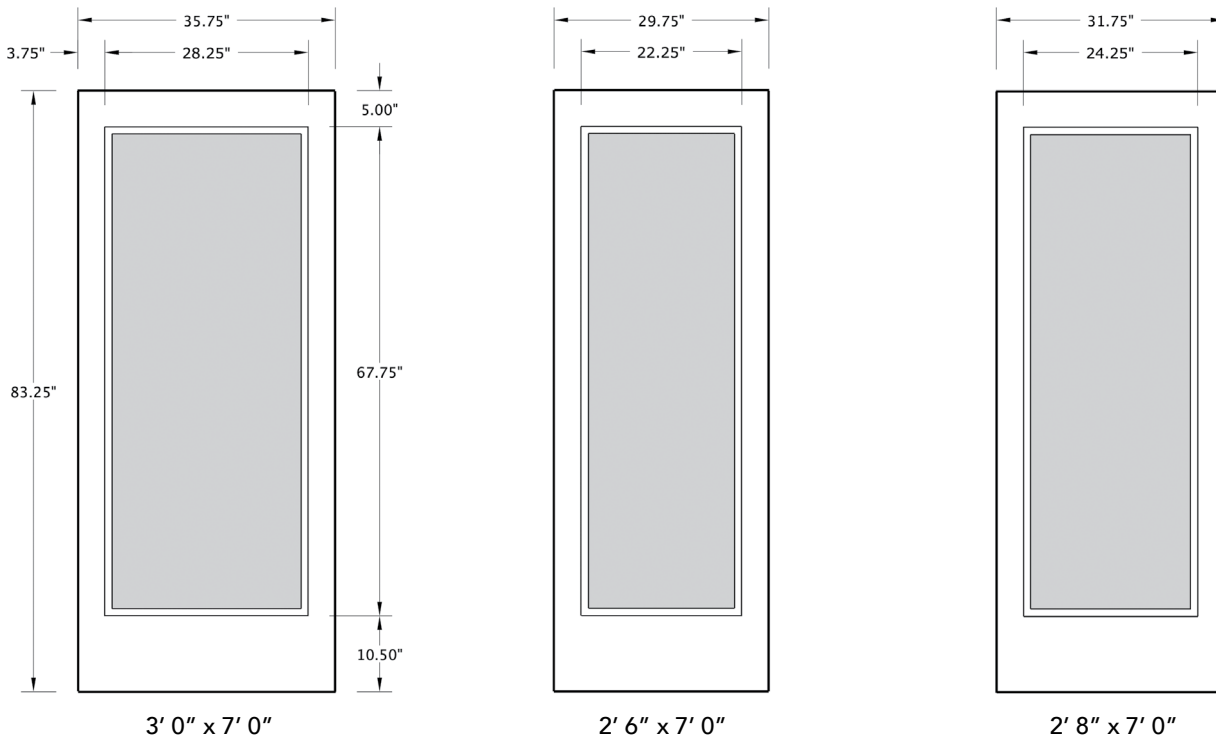
Our Onelite Series features a fine, flush glazed glass with a removable stop to allow the glass to be switched without changing the entire door. Doors are available in Double-Insulated Tempered Glass, LoE2, LoE3, Grid Between Glass (GBG), or MiniBlinds.

PG 192 - 198

7'0" DRS1070 FLUSH GLAZED FULL LITE DOOR

SMOOTH SKIN

AVAILABLE SIZING



NOTE: BY REQUEST, DOOR HEIGHT COMES IN VARYING DIMENSIONS TO A MINIMUM OF 83". EXCESS WILL BE TAKEN FROM BOTTOM RAIL. ALL OTHER DIMENSIONS WILL REMAIN THE SAME.

GLASS & DAYLIGHT OPENING

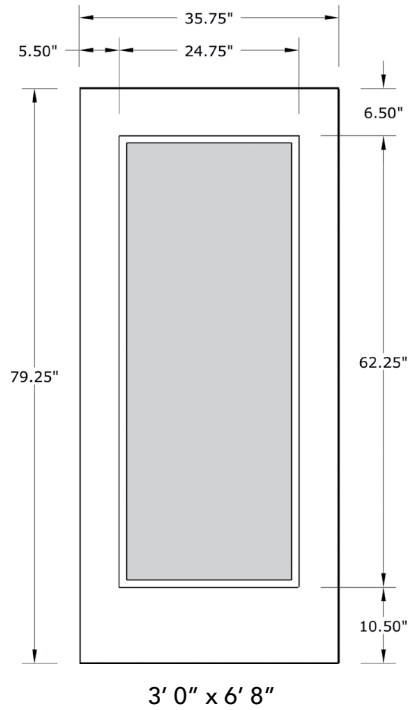
	FULL LITE	
2'8"	glass	23 5/16" x 67"
	daylight	22 3/16" x 66"
2'10"	glass	25 5/16" x 67"
	daylight	24 3/16" x 66"
3'0"	glass	27 5/16" x 67"
	daylight	26 3/16" x 66"
A = 5.00"		

A = DISTANCE FROM TOP OF DOOR TO TOP OF OPENING

6'8" DRS11 FLUSH GLAZED ADA DOOR

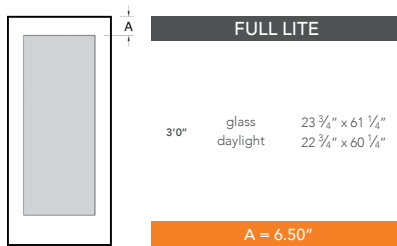
SMOOTH SKIN

AVAILABLE SIZING



NOTE: BY REQUEST, DOOR HEIGHT COMES IN VARYING DIMENSIONS TO A MINIMUM OF 79". EXCESS WILL BE TAKEN FROM BOTTOM RAIL. ALL OTHER DIMENSIONS WILL REMAIN THE SAME.

GLASS & DAYLIGHT OPENING

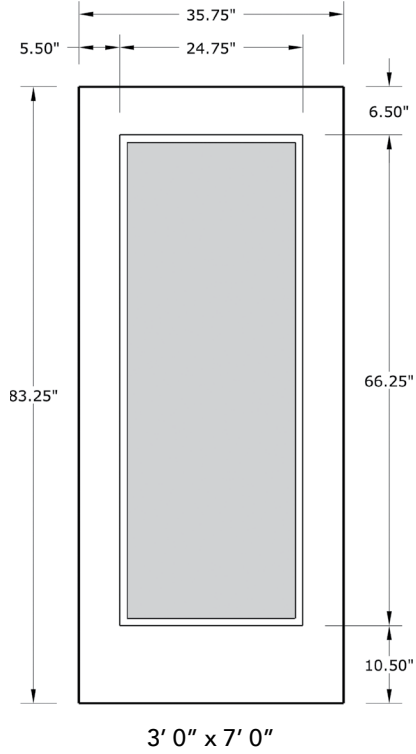


A = DISTANCE FROM TOP OF DOOR TO TOP OF OPENING

7'0" DRS1170 FLUSH GLAZED ADA DOOR

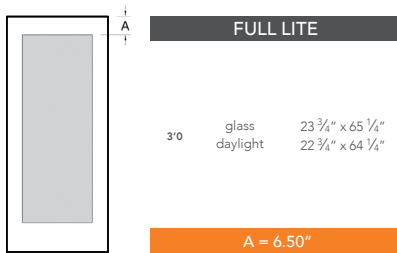
SMOOTH SKIN

AVAILABLE SIZING



NOTE: BY REQUEST, DOOR HEIGHT COMES IN VARYING DIMENSIONS TO A MINIMUM OF 83". EXCESS WILL BE TAKEN FROM BOTTOM RAIL. ALL OTHER DIMENSIONS WILL REMAIN THE SAME.

GLASS & DAYLIGHT OPENING

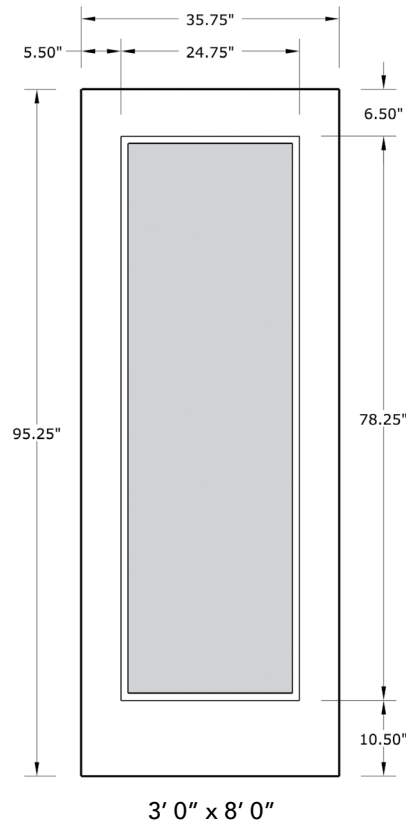


A = DISTANCE FROM TOP OF DOOR TO TOP OF OPENING

8'0" DRS1180 FLUSH GLAZED ADA DOOR

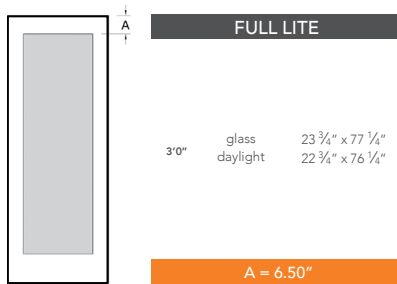
SMOOTH SKIN

AVAILABLE SIZING



NOTE: BY REQUEST, DOOR HEIGHT COMES IN VARYING DIMENSIONS TO A MINIMUM OF 95". EXCESS WILL BE TAKEN FROM BOTTOM RAIL. ALL OTHER DIMENSIONS WILL REMAIN THE SAME.

GLASS & DAYLIGHT OPENING

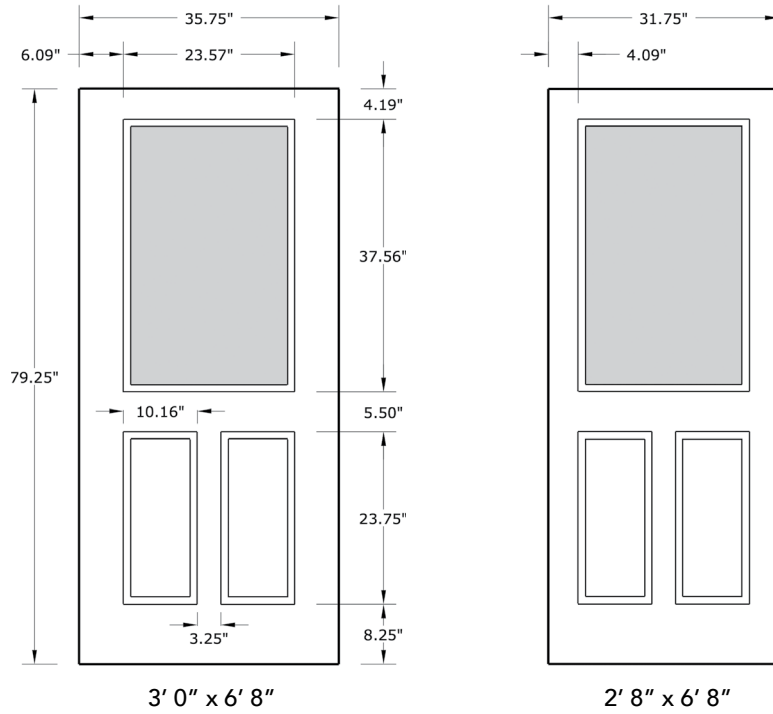


A = DISTANCE FROM TOP OF DOOR TO TOP OF OPENING

6'8" DRG/DRS12 FLUSH GLAZED HALF LITE DOOR

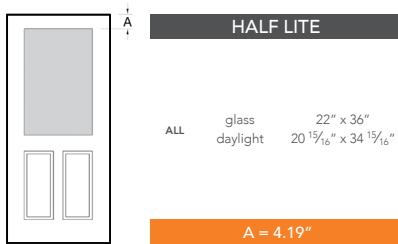
OAK & SMOOTH

AVAILABLE SIZING



NOTE: BY REQUEST, DOOR HEIGHT COMES IN VARYING DIMENSIONS TO A MINIMUM OF 79". EXCESS WILL BE TAKEN FROM BOTTOM RAIL. ALL OTHER DIMENSIONS WILL REMAIN THE SAME.

GLASS & DAYLIGHT OPENING



A = DISTANCE FROM TOP OF DOOR TO TOP OF OPENING

MATCHING SIDELITES



SLG/SLS12

Available Widths:

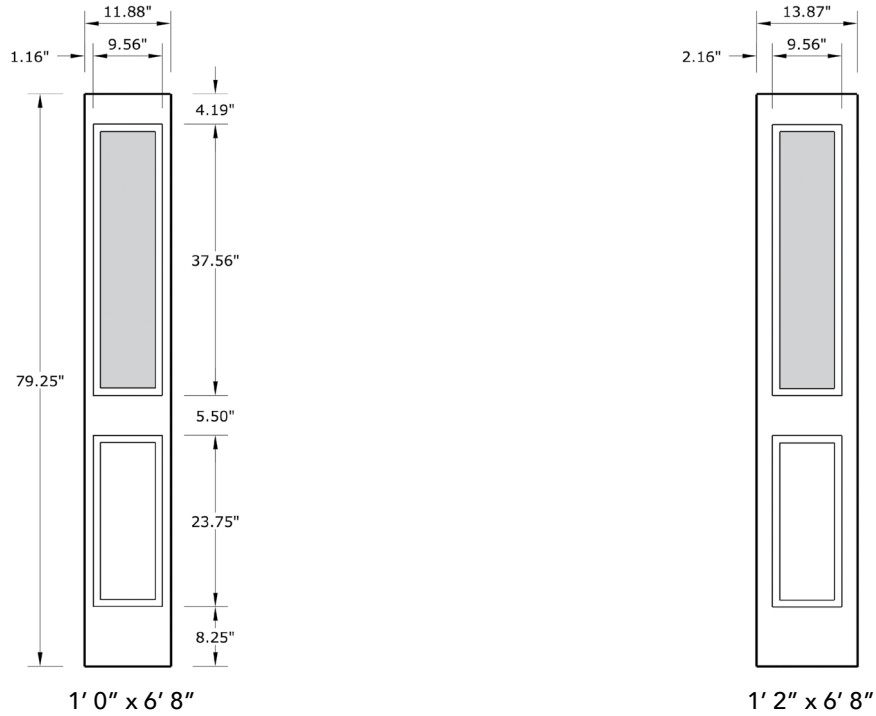
- 1' 0"
- 1' 2"

Spec Page = 198

6'8" SLG/SLS12 FLUSH GLAZED HALF LITE SIDELITE

OAK & SMOOTH

AVAILABLE SIZING



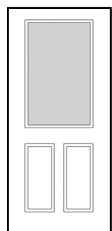
NOTE: BY REQUEST, SIDELITE HEIGHT COMES IN VARYING DIMENSIONS TO A MINIMUM OF 79". EXCESS WILL BE TAKEN FROM BOTTOM RAIL. ALL OTHER DIMENSIONS WILL REMAIN THE SAME.

GLASS & DAYLIGHT OPENING



A = DISTANCE FROM TOP OF SIDELITE TO TOP OF OPENING

MATCHING DOORS



DRG/DRS12

Available Widths:

2' 8"
3' 0"

Spec Page = 197



ONELITE DRS1180

NOVA SERIES

Let sunlight fill every space in your home when early dawn appears. The Nova series has glass that is directly glazed into the door to create a seamless blend between the two. The large pane glass allows for the greatest views; see the changing of the season's right from your home. It allows the greatest amount of light into your home; brightening up the space and filling it with energy. The sleek, square sticking profiles create a smooth and modern look that will complement any home looking for a rejuvenated space. It is available in both Smooth and Fir grain.

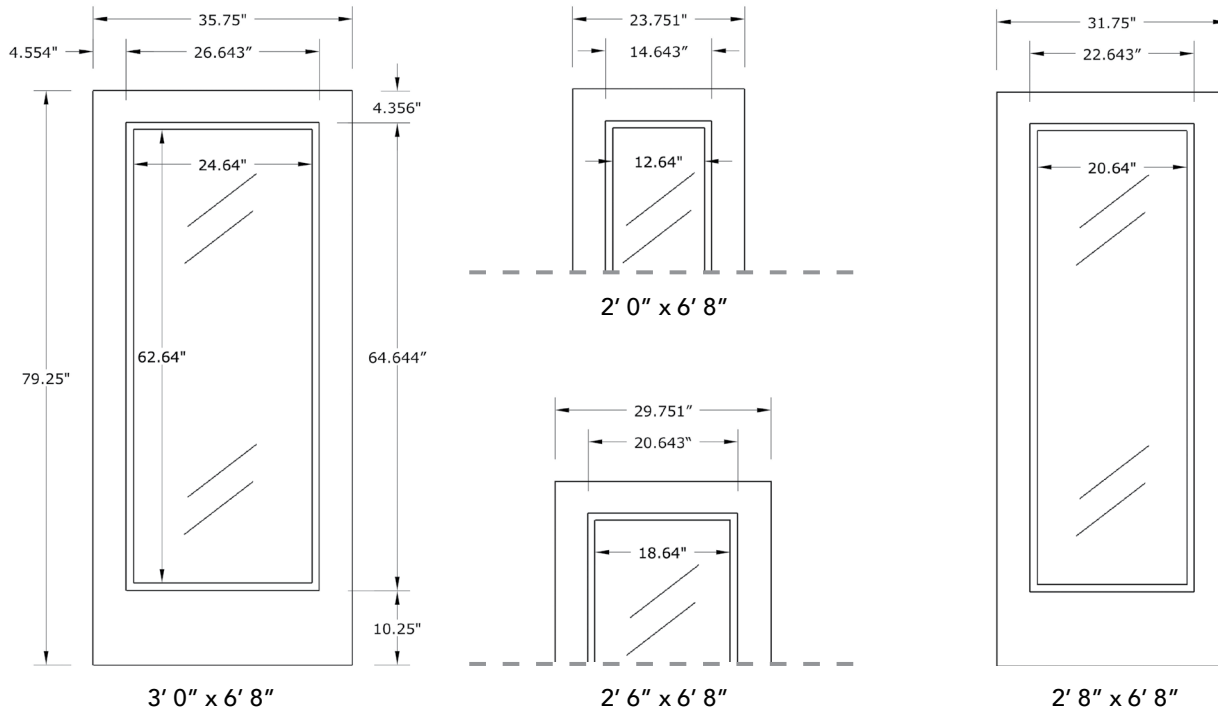
PG 200 - 216

6'8" DRS/F1DL NOVA 45 FULL LITE

SMOOTH & FIR

DIRECT GLAZED

AVAILABLE SIZING



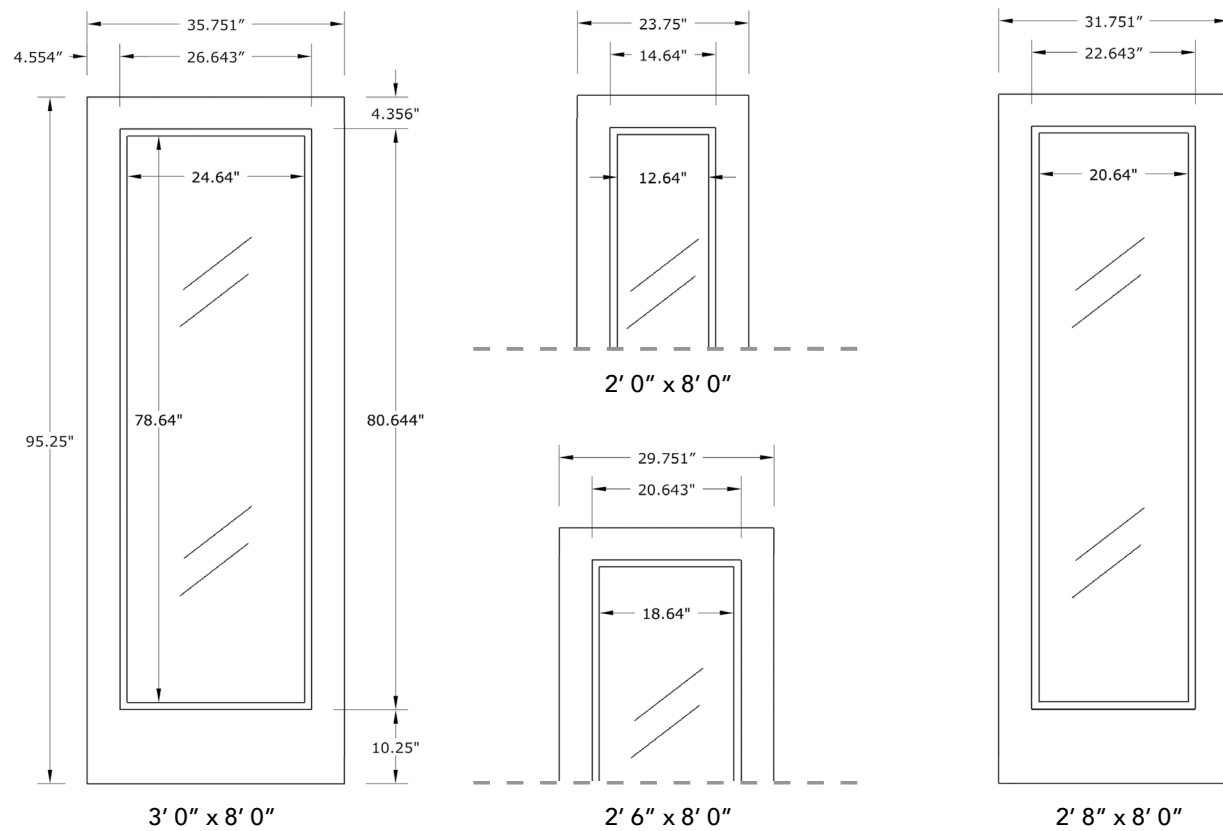
NOTE: BY REQUEST, DOOR HEIGHT COMES IN VARYING DIMENSIONS TO A MINIMUM OF 79". EXCESS WILL BE TAKEN FROM BOTTOM RAIL. ALL OTHER DIMENSIONS WILL REMAIN THE SAME.

8'0" DRS/F1D80L NOVA 45 FULL LITE

SMOOTH & FIR

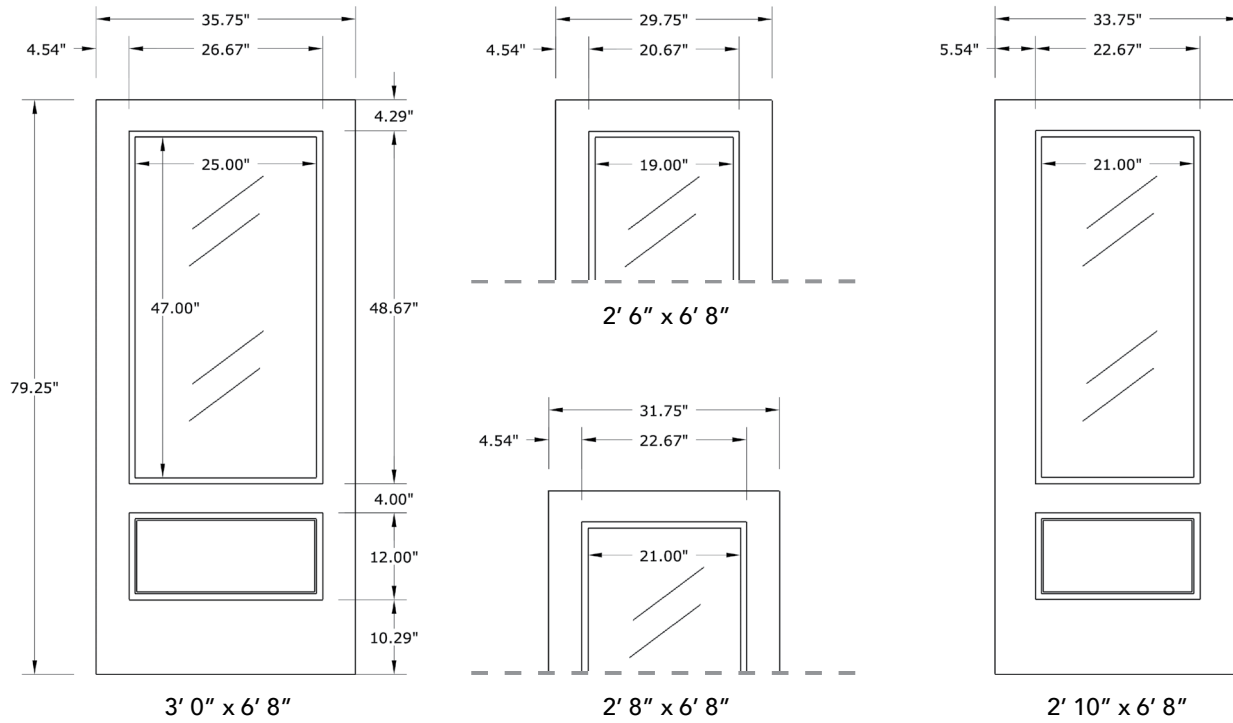
DIRECT GLAZED

AVAILABLE SIZING



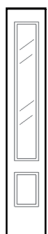
NOTE: BY REQUEST, DOOR HEIGHT COMES IN VARYING DIMENSIONS TO A MINIMUM OF 95". EXCESS WILL BE TAKEN FROM BOTTOM RAIL. ALL OTHER DIMENSIONS WILL REMAIN THE SAME.

AVAILABLE SIZING



NOTE: BY REQUEST, DOOR HEIGHT COMES IN VARYING DIMENSIONS TO A MINIMUM OF 79". EXCESS WILL BE TAKEN FROM BOTTOM RAIL. ALL OTHER DIMENSIONS WILL REMAIN THE SAME.

MATCHING SIDELITES



SLS1E

Available Widths:

1' 0"

1' 2"

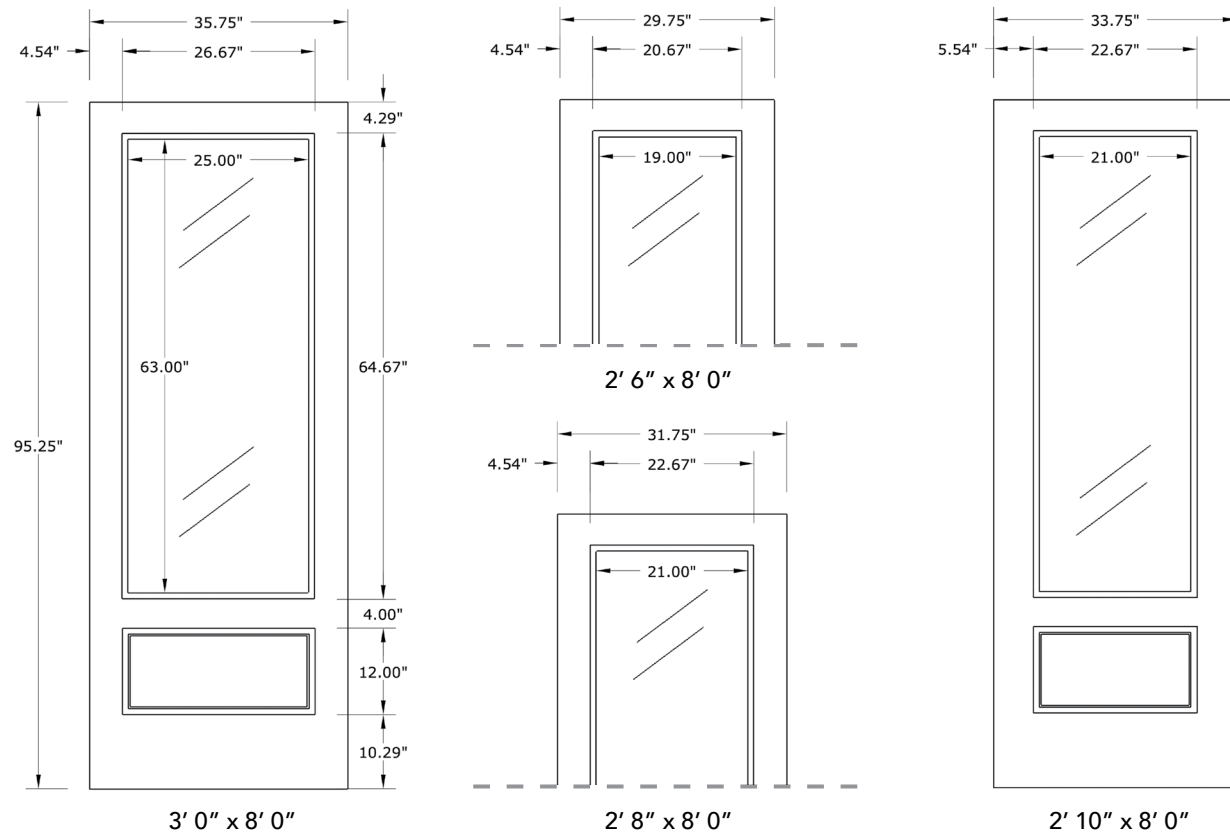
Spec Page = 207

8'0" DRS1E80 NOVA 90 3/4 LITE

BRUSHED SMOOTH FINISH

DIRECT GLAZED

AVAILABLE SIZING



NOTE: BY REQUEST, DOOR HEIGHT COMES IN VARYING DIMENSIONS TO A MINIMUM OF 95". EXCESS WILL BE TAKEN FROM BOTTOM RAIL. ALL OTHER DIMENSIONS WILL REMAIN THE SAME.

MATCHING SIDELITES



SLS1E80

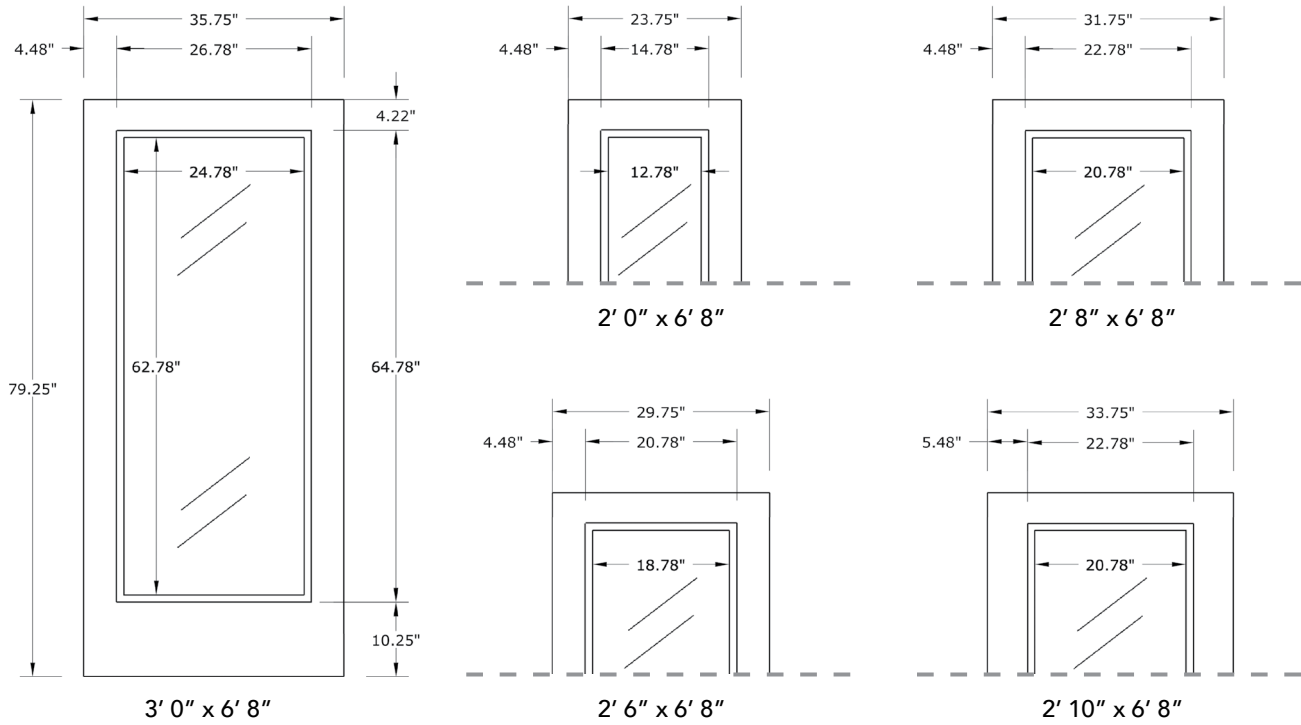
Available Widths:

1' 0"

1' 2"

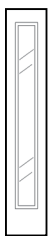
Spec Page = 208

AVAILABLE SIZING



NOTE: BY REQUEST, DOOR HEIGHT COMES IN VARYING DIMENSIONS TO A MINIMUM OF 79". EXCESS WILL BE TAKEN FROM BOTTOM RAIL. ALL OTHER DIMENSIONS WILL REMAIN THE SAME.

MATCHING SIDELITES



SLS1S

Available Widths:

- 1' 0"
- 1' 2"

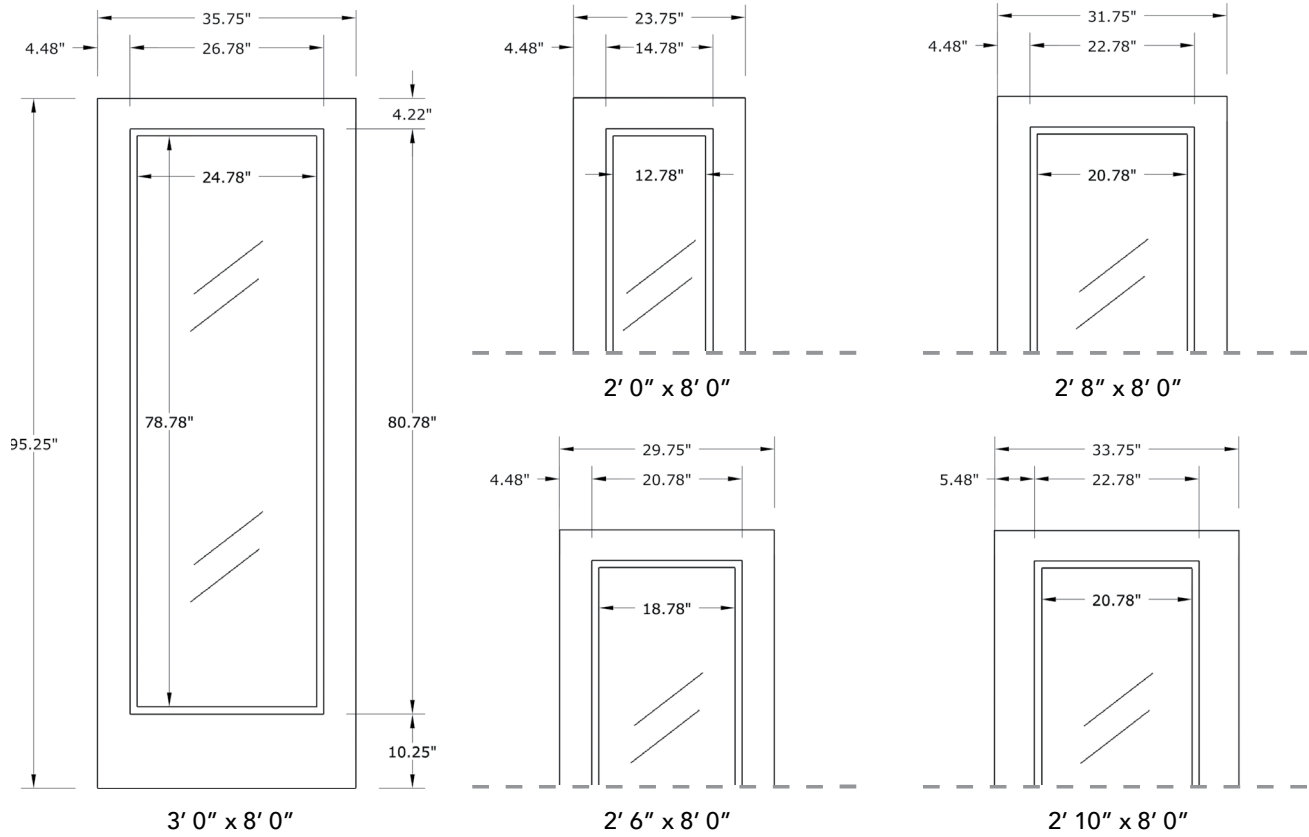
Spec Page = 209

8'0" DRS1S80 NOVA 90 FULL LITE

BRUSHED SMOOTH FINISH

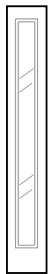
DIRECT GLAZED

AVAILABLE SIZING



NOTE: BY REQUEST, DOOR HEIGHT COMES IN VARYING DIMENSIONS TO A MINIMUM OF 95". EXCESS WILL BE TAKEN FROM BOTTOM RAIL. ALL OTHER DIMENSIONS WILL REMAIN THE SAME.

MATCHING SIDELITES



SLS1S80

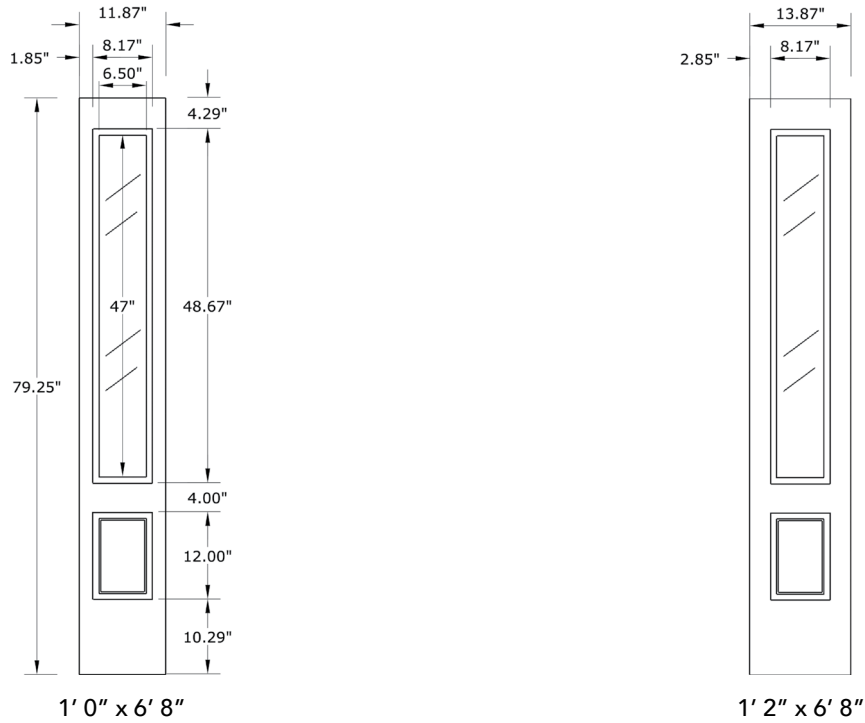
Available Widths:

1' 0"

1' 2"

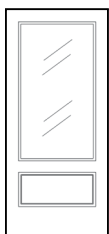
Spec Page = 210

AVAILABLE SIZING



NOTE: BY REQUEST, SIDELITE HEIGHT COMES IN VARYING DIMENSIONS TO A MINIMUM OF 79". EXCESS WILL BE TAKEN FROM BOTTOM RAIL. ALL OTHER DIMENSIONS WILL REMAIN THE SAME.

MATCHING DOORS



DRS1E

Available Widths:

- 2' 6"
- 2' 8"
- 2' 10"
- 3' 0"

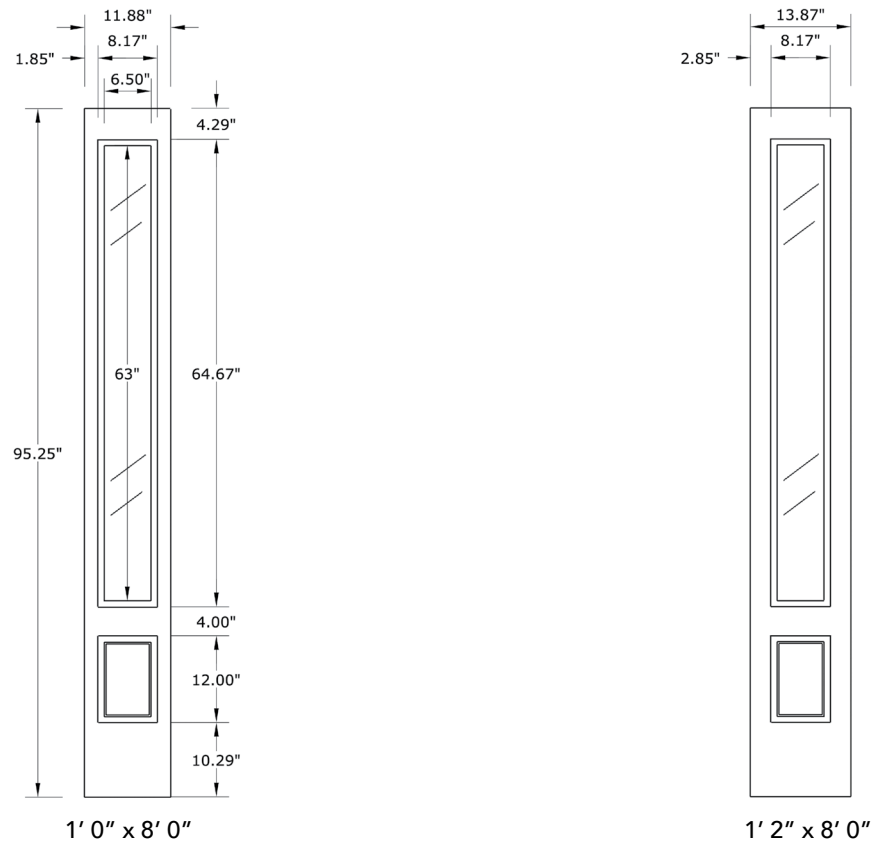
Spec Page = 203

8'0" SLS1E80 NOVA 90 3/4 LITE SIDELITE

BRUSHED SMOOTH FINISH

DIRECT GLAZED

AVAILABLE SIZING



NOTE: BY REQUEST, SIDELITE HEIGHT COMES IN VARYING DIMENSIONS TO A MINIMUM OF 95". EXCESS WILL BE TAKEN FROM BOTTOM RAIL. ALL OTHER DIMENSIONS WILL REMAIN THE SAME.

MATCHING DOORS



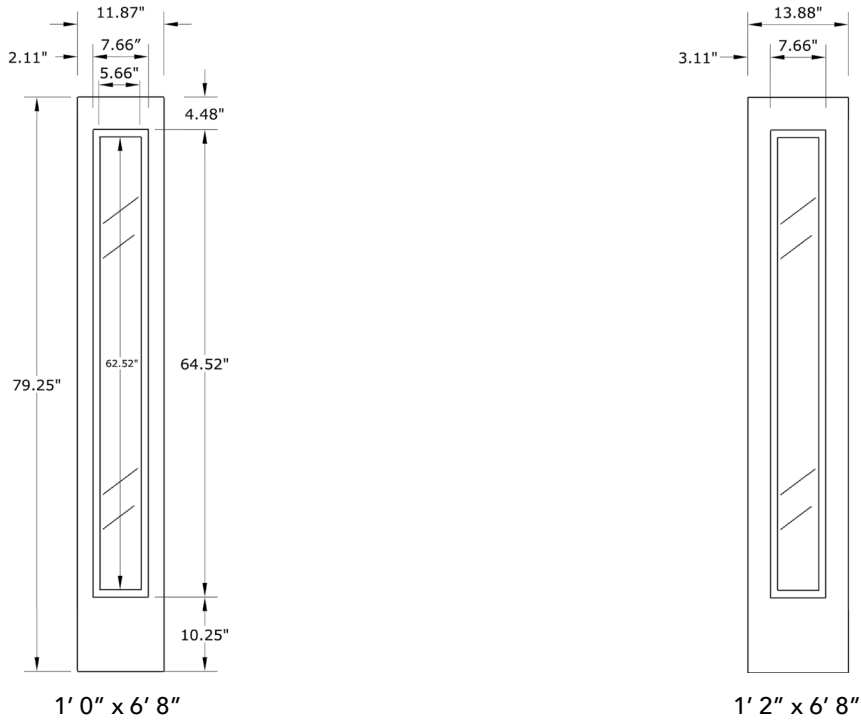
DRS1E80

Available Widths:

2' 6"
2' 8"
2' 10"
3' 0"

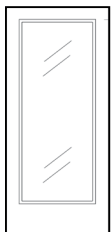
Spec Page = 204

AVAILABLE SIZING



NOTE: BY REQUEST, SIDELITE HEIGHT COMES IN VARYING DIMENSIONS TO A MINIMUM OF 79". EXCESS WILL BE TAKEN FROM BOTTOM RAIL. ALL OTHER DIMENSIONS WILL REMAIN THE SAME.

MATCHING DOORS



DRS1S

Available Widths:

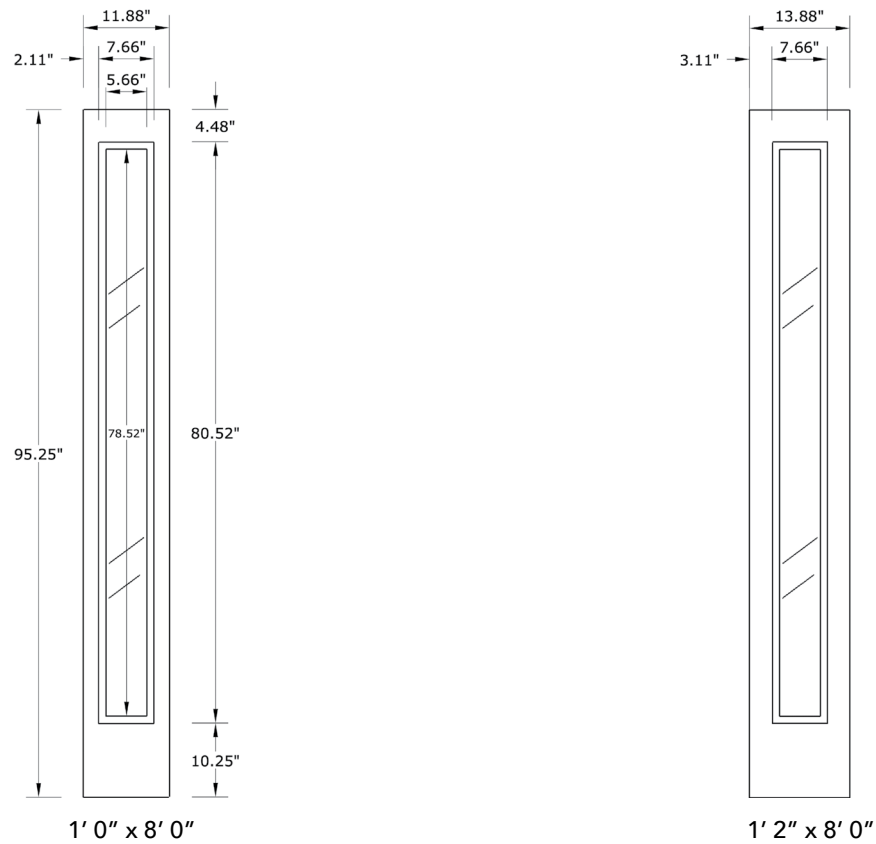
- 2' 0"
- 2' 6"
- 2' 8"
- 2' 10"
- 3' 0"

Spec Page = 205

8'0" SLS1S80 NOVA 90 FULL LITE SIDELITE DIRECT GLAZED

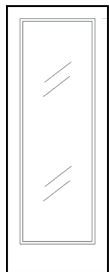
BRUSHED SMOOTH FINISH

AVAILABLE SIZING



NOTE: BY REQUEST, SIDELITE HEIGHT COMES IN VARYING DIMENSIONS TO A MINIMUM OF 95". EXCESS WILL BE TAKEN FROM BOTTOM RAIL. ALL OTHER DIMENSIONS WILL REMAIN THE SAME.

MATCHING DOORS



DRS1S80

Available Widths:

2' 0"
2' 6"
2' 8"
2' 10"
3' 0"

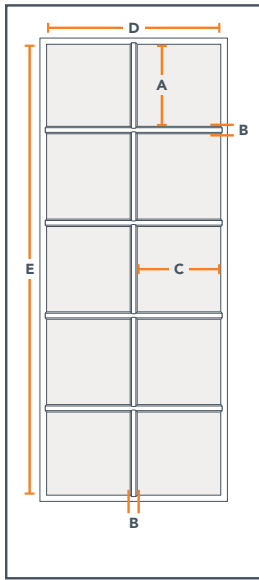
Spec Page = 206

SDL BARS FOR NOVA45 - 10 LITE

SMOOTH & FIR FINISH

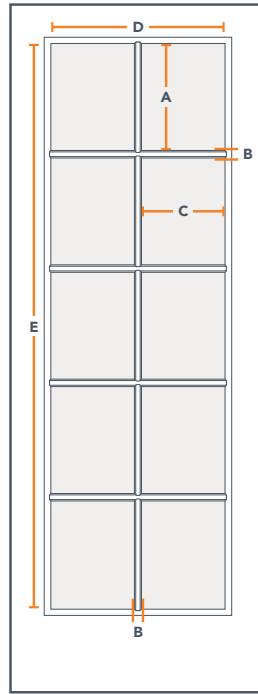
6'8" & 8'0"

AVAILABLE SIZING



FIR - 10 LITE
ACSDF1D68-10L

SMOOTH - 10 LITE
ACSDW1D68-10L



FIR - 10 LITE
ACSDF1D80-10L

SMOOTH - 10 LITE
ACSDW1D80-10L

DIMENSIONS

HEIGHT	ITEM	WIDTH	A	B	C	D	E	F
6'8"	ACSDF/W1D68D10L	2'0"	11.663"	1.125"	5.844"	13.301"	63.332"	N/A
	ACSDF/W1D68A10L	2'6"	11.663"	1.125"	8.844"	19.301"	63.332"	N/A
	ACSDF/W1D68B10L	2'8"	11.663"	1.125"	9.844"	21.301"	63.332"	N/A
	ACSDF/W1D68C10L	3'0"	11.663"	1.125"	11.844"	25.301"	63.332"	N/A

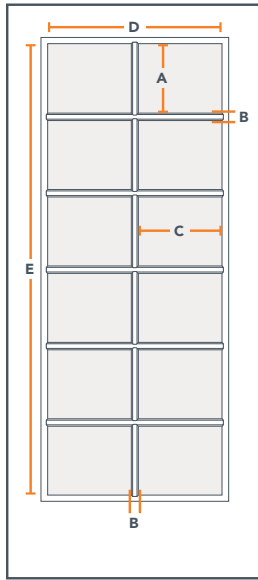
HEIGHT	ITEM	WIDTH	A	B	C	D	E	F
8'0"	ACSDF/W1D80D10L	2'0"	14.683"	1.125"	5.844"	13.301"	79.332"	N/A
	ACSDF/W1D80A10L	2'6"	14.683"	1.125"	8.844"	19.301"	79.332"	N/A
	ACSDF/W1D80B10L	2'8"	14.683"	1.125"	9.844"	21.301"	79.332"	N/A
	ACSDF/W1D80C10L	3'0"	14.683"	1.125"	11.844"	25.301"	79.332"	N/A

SDL BARS FOR NOVA45 - 12 LITE

SMOOTH & FIR FINISH

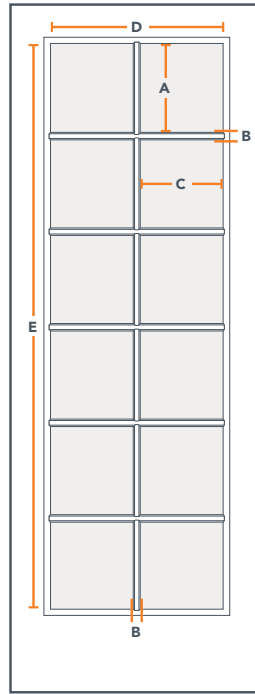
6'8" & 8'0"

AVAILABLE SIZING



FIR - 12 LITE
ACSDF1D68-12L26

SMOOTH - 12 LITE
ACSDW1D68-12L26



FIR - 12 LITE
ACSDF1D80-12L26

SMOOTH - 12 LITE
ACSDW1D80-12L26

DIMENSIONS

HEIGHT	ITEM	WIDTH	A	B	C	D	E	F
6'8"	ACSDF/W1D68D12L26	2'0"	9.532"	1.125"	5.844"	13.301"	63.332"	N/A
	ACSDF/W1D68A12L26	2'6"	9.532"	1.125"	8.844"	19.301"	63.332"	N/A
	ACSDF/W1D68B12L26	2'8"	9.532"	1.125"	9.844"	21.301"	63.332"	N/A
	ACSDF/W1D68C12L26	3'0"	9.532"	1.125"	11.844"	25.301"	63.332"	N/A

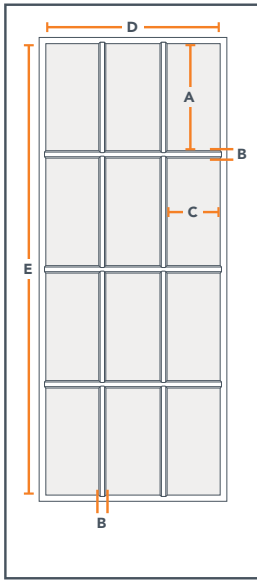
HEIGHT	ITEM	WIDTH	A	B	C	D	E	F
8'0"	ACSDF/W1D80D12L26	2'0"	12.198"	1.125"	5.844"	13.301"	79.332"	N/A
	ACSDF/W1D80A12L26	2'6"	12.198"	1.125"	8.844"	19.301"	79.332"	N/A
	ACSDF/W1D80B12L26	2'8"	12.198"	1.125"	9.844"	21.301"	79.332"	N/A
	ACSDF/W1D80C12L26	3'0"	12.198"	1.125"	11.844"	25.301"	79.332"	N/A

SDL BARS FOR NOVA45 - 12 LITE

SMOOTH & FIR FINISH

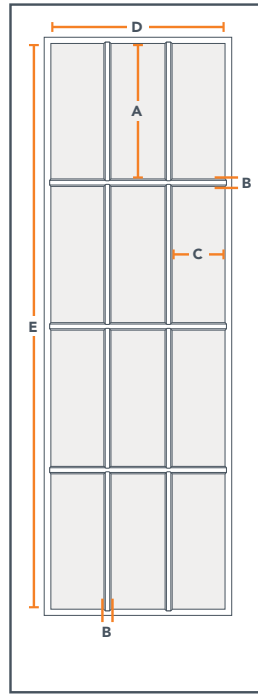
6'8" & 8'0"

AVAILABLE SIZING



FIR - 12 LITE
ACSD1D68-12L34

SMOOTH - 12 LITE
ACSDW1D68-12L34



FIR - 12 LITE
ACSD1D80-12L34 - \$124

SMOOTH - 12 LITE
ACSDW1D80-12L34

DIMENSIONS

HEIGHT	ITEM	WIDTH	A	B	C	D	E	F
6'8"	ACSD1/W1D68D12L34	2'0"	14.86"	1.125"	3.521"	13.301"	63.332"	N/A
	ACSD1/W1D68A12L34	2'6"	14.86"	1.125"	5.521"	19.301"	63.332"	N/A
	ACSD1/W1D68B12L34	2'8"	14.86"	1.125"	6.118"	21.301"	63.332"	N/A
	ACSD1/W1D68C12L34	3'0"	14.86"	1.125"	7.521"	25.301"	63.332"	N/A

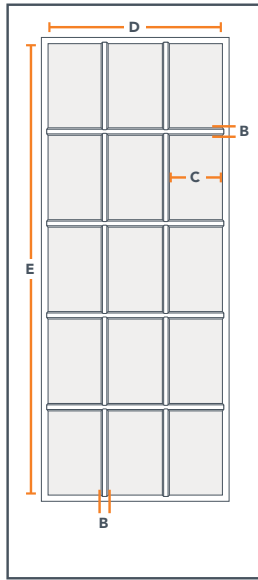
HEIGHT	ITEM	WIDTH	A	B	C	D	E	F
8'0"	ACSD1/W1D80D12L34	2'0"	18.859"	1.125"	3.521"	13.301"	79.332"	N/A
	ACSD1/W1D80A12L34	2'6"	18.859"	1.125"	5.521"	19.301"	79.332"	N/A
	ACSD1/W1D80B12L34	2'8"	18.859"	1.125"	6.118"	21.301"	79.332"	N/A
	ACSD1/W1D80C12L34	3'0"	18.859"	1.125"	7.521"	25.301"	79.332"	N/A

SDL BARS FOR NOVA45 - 15 LITE

SMOOTH & FIR FINISH

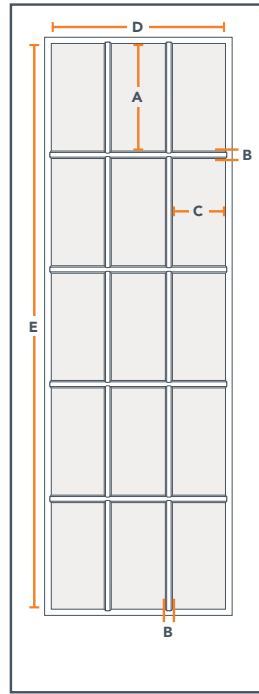
6'8" & 8'0"

AVAILABLE SIZING



FIR - 15 LITE
ACSDF1D68-15L

SMOOTH - 15 LITE
ACSDW1D68-15L



FIR - 15 LITE
ACSDF1D80-15L

SMOOTH - 15 LITE
ACSDW1D80-15L

DIMENSIONS

HEIGHT	ITEM	WIDTH	A	B	C	D	E	F
6'8"	ACSDF/W1D68D15L	2'0"	11.663"	1.125"	3.521"	13.301"	63.332"	N/A
	ACSDF/W1D68A15L	2'6"	11.663"	1.125"	5.521"	19.301"	63.332"	N/A
	ACSDF/W1D68B15L	2'8"	11.663"	1.125"	6.118"	21.301"	63.332"	N/A
	ACSDF/W1D68C15L	3'0"	11.663"	1.125"	7.521"	25.301"	63.332"	N/A

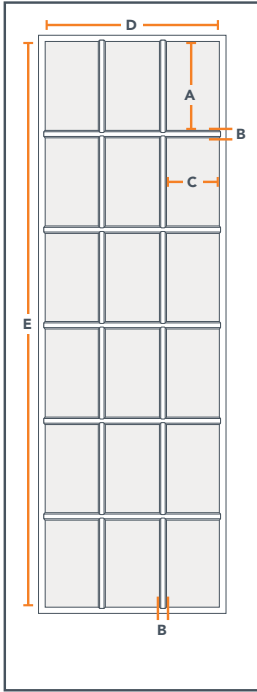
HEIGHT	ITEM	WIDTH	A	B	C	D	E	F
8'0"	ACSDF/W1D80D15L	2'0"	14.862"	1.125"	3.521"	13.301"	79.332"	N/A
	ACSDF/W1D80A15L	2'6"	14.862"	1.125"	5.521"	19.301"	79.332"	N/A
	ACSDF/W1D80B15L	2'8"	14.862"	1.125"	6.118"	21.301"	79.332"	N/A
	ACSDF/W1D80C15L	3'0"	14.862"	1.125"	7.521"	25.301"	79.332"	N/A

SDL BARS FOR NOVA45 - 18 LITE

8'0"

SMOOTH & FIR FINISH

AVAILABLE SIZING



FIR - 18 LITE
ACSDF1D80-18L

SMOOTH - 18 LITE
ACSDW1D80-18L

DIMENSIONS

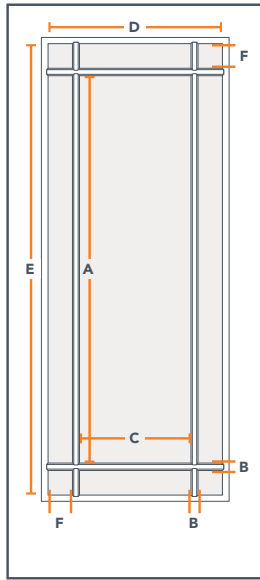
HEIGHT	ITEM	WIDTH	A	B	C	D	E	F
8'0"	ACSDF/W1D80D18L	2'0"	12.198"	1.125"	3.521"	13.301"	79.332"	N/A
	ACSDF/W1D80A18L	2'6"	12.198"	1.125"	5.521"	19.301"	79.332"	N/A
	ACSDF/W1D80B18L	2'8"	12.198"	1.125"	6.118"	21.301"	79.332"	N/A
	ACSDF/W1D80C18L	3'0"	12.198"	1.125"	7.521"	25.301"	79.332"	N/A

SDL BARS FOR NOVA45 - 9 LITE

SMOOTH & FIR FINISH

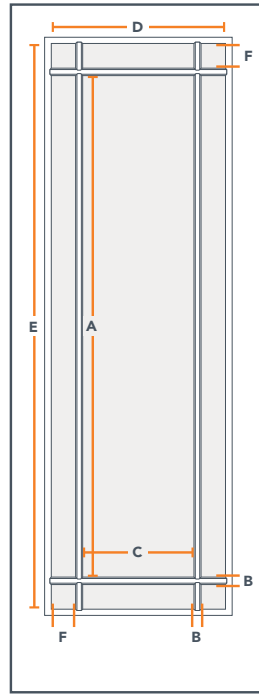
6'8" & 8'0"

AVAILABLE SIZING



FIR - 9 LITE
ACSDF1D68-9LQ

SMOOTH - 9 LITE
ACSDW1D68-9LQ



FIR - 9 LITE
ACSDF1D80-9LQ

SMOOTH - 9 LITE
ACSDW1D80-9LQ

DIMENSIONS

HEIGHT	ITEM	WIDTH	A	B	C	D	E	F
6'8"	ACSDF/W1D68D9LQ	2'0"	52.562"	1.125"	2.562"	13.301"	63.332"	4"
	ACSDF/W1D68A9LQ	2'6"	52.562"	1.125"	8.562"	19.301"	63.332"	4"
	ACSDF/W1D68B9LQ	2'8"	52.562"	1.125"	10.562"	21.301"	63.332"	4"
	ACSDF/W1D68C9LQ	3'0"	52.562"	1.125"	14.562"	25.301"	63.332"	4"

HEIGHT	ITEM	WIDTH	A	B	C	D	E	F
8'0"	ACSDF/W1D80D9LQ	2'0"	68.562"	1.125"	2.562"	13.301"	79.332"	4"
	ACSDF/W1D80A9LQ	2'6"	68.562"	1.125"	8.562"	19.301"	79.332"	4"
	ACSDF/W1D80B9LQ	2'8"	68.562"	1.125"	10.562"	21.301"	79.332"	4"
	ACSDF/W1D80C9LQ	3'0"	68.562"	1.125"	14.562"	25.301"	79.332"	4"



TRIMMABLE SERIES

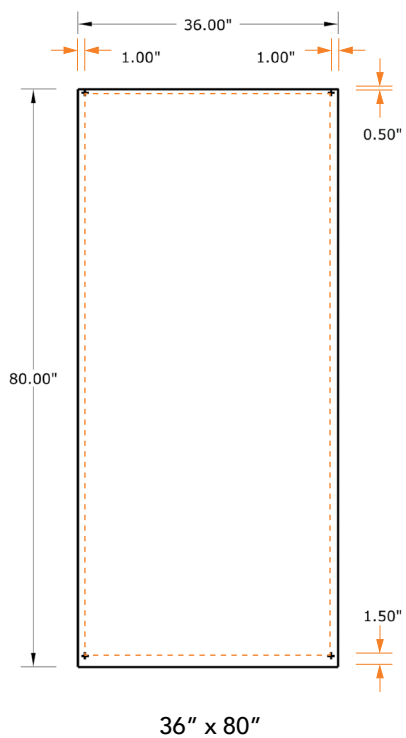
Our Trimmable Series is designed to fit in a variety of existing entry ways. Adjustments up to 2" in height and width can be made to the door through your contractor. Trimmable doors are available in Oak and Smooth skin. This is the door your home has been waiting for.

PG 218-219

TRIMMABLE DOORS

OAK & SMOOTH

AVAILABLE SIZING



TRIMMABLE DIMENSIONS

36" x 80" DOORS

OAK SERIES

DRG00T - Flush

DRG61T - Six Panel Utility

SMOOTH SERIES

DRS00T - Flush

DRS41T - True Four Panel

DRS61T - Six Panel Utility

DOORLITE SERIES

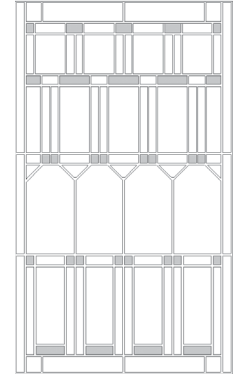
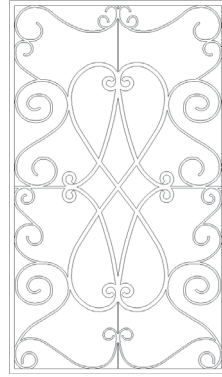
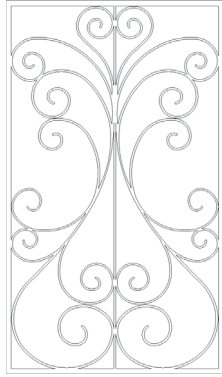
Our doorlite glass features glass from our Solution Doorlite series and decorative glass families. All of our glass adds beauty and sophistication to your front door, and allows an abundance of sunlight into your home. We offer a variety of textured backdrops and classic styles. With our wide range of designs, finding a glass that you love will be effortless. They not only provide taste, but give your home privacy, safety, and thermal protection.

PG 220 - 224

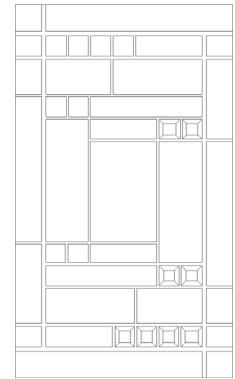
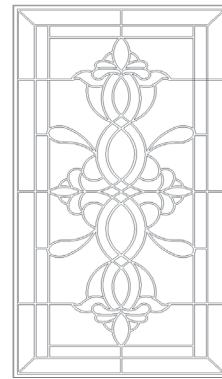
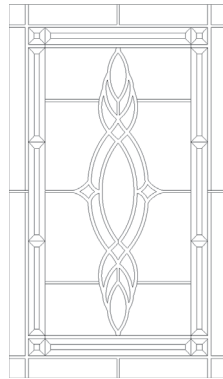
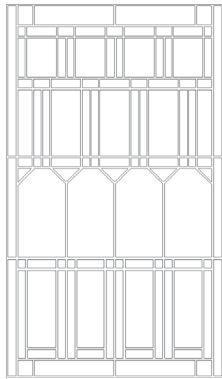
GLASS SIZES & CUTOUT CODES

341 8" x 48"	342 22" x 48"	343 25" x 48"	344 24 1/8" x 38"	346 29 3/8" x 50 1/4"	3R4 24 1/4" x 38"	3R5 25 3/8" x 50 1/4"
3R6 29 3/8" x 50 1/4"	3V1 7" x 39 1/2"	3V2 16.781" x 38.719"	3V3 13" x 53"	8C1 8" x 41"	8C2 9 3/4" x 41"	8C3 9 1/2" x 57 1/4"
9P1 7 1/2" x 18 1/2"	EYE 11 20/61" x 36 3/4"	FL1 7" x 64"	FL2 8" x 80"	FL5 20" x 64"	FL6 20" x 80"	FL7 22" x 64"
FL8 22" x 80"	HL2 8" x 36"	HL3 20" x 36"	HL4 22" x 36"	HL6 25 1/2" x 50"	HR1 22" x 10"	TL1 25 1/2" x 8 1/4"
TL3 25" x 15"	TL5 20" x 8 1/4"	TR1R 63" x 12"	TR2R 66 1/2" x 13"			

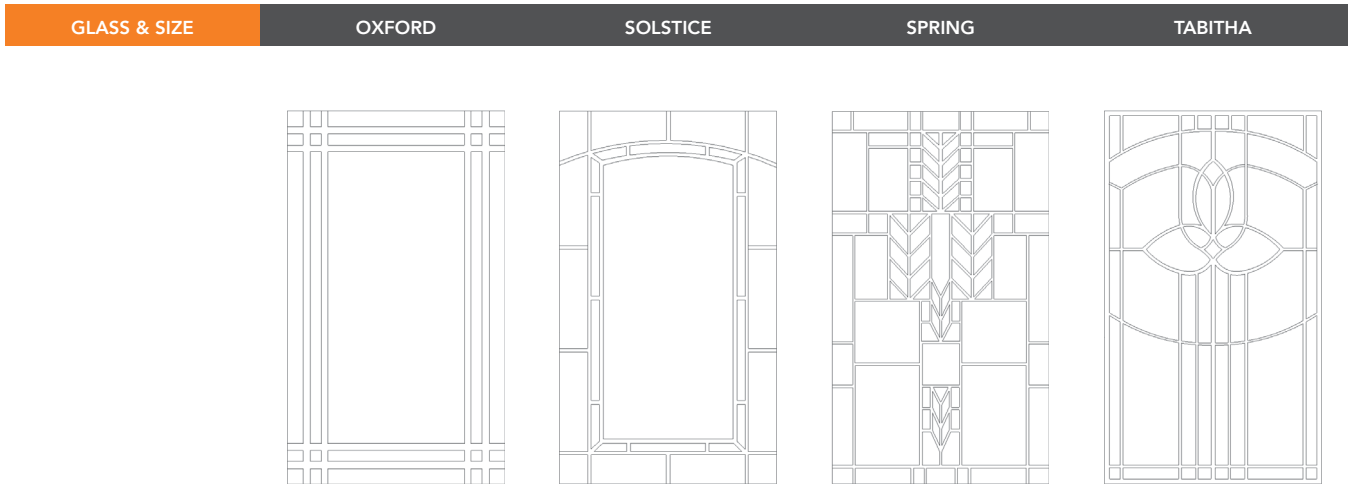
GLASS & SIZE	CAMELIA	PRISCILLA	ABERDEEN	ARTESANO
--------------	---------	-----------	----------	----------



341	8" x 48"				■
342	22" x 48"	■	■		■
343	25" x 48"				
344	24 1/4" x 38"	■	■		
346	29 3/8" x 50 1/4"	■	■		
3R4	24 1/4" x 38"	■	■		
3R5	25 3/8" x 50 1/4"	■	■		
3R6	29 3/8" x 50 1/4"	■	■		
3V1	7" x 39 1/2"				
3V2	16.781" x 38.719"				
3V3	13" x 53"				
8C1	8" x 41"	■	■		■
8C2	9 3/4" x 41"	■	■		■
8C3	9 1/2" x 57 1/4"				
9P1	7 1/2" x 18 1/2"				
EYE	11 20/61" x 36 3/4"				
FL1	7" x 64"	■	■	■	■
FL2	8" x 80"	■	■	■	■
FL5	20" x 64"	■	■	■	■
FL6	20" x 80"	■	■	■	■
FL7	22" x 64"	■	■	■	■
FL8	22" x 80"	■	■	■	■
HL2	8" x 36"				■
HL3	20" x 36"				■
HL4	22" x 36"				■
HL6	25 1/2" x 50"	■	■		
HR1	22" x 10"				
TL1	25 1/2" x 8 1/4"				■
TL3	25" x 15"				■
TL5	20" x 8 1/4"				■
TR1R	63" x 12"	■	■		■
TR2R	66 1/2" x 13"	■	■		■



341	8" x 48"	■	■	■	■
342	22" x 48"	■	■	■	■
343	25" x 48"			■	
344	24 1/4" x 38"				
346	29 3/8" x 50 1/4"				
3R4	24 1/4" x 38"				
3R5	25 3/8" x 50 1/4"				
3R6	29 3/8" x 50 1/4"				
3V1	7" x 39 1/2"		■	■	
3V2	16.781" x 38.719"		■	■	
3V3	13" x 53"		■	■	
8C1	8" x 41"	■	■		
8C2	9 3/4" x 41"	■	■		
8C3	9 1/2" x 57 1/4"		■	■	
9P1	7 1/2" x 18 1/2"		■		
EYE	11 20/61" x 36 3/4"		■		
FL1	7" x 64"	■	■	■	■
FL2	8" x 80"	■	■	■	■
FL5	20" x 64"	■		■	■
FL6	20" x 80"				
FL7	22" x 64"	■	■	■	■
FL8	22" x 80"	■	■	■	■
HL2	8" x 36"	■	■	■	■
HL3	20" x 36"	■		■	■
HL4	22" x 36"	■	■	■	■
HL6	25 1/2" x 50"			■	
HR1	22" x 10"			■	
TL1	25 1/2" x 8 1/4"	■			
TL3	25" x 15"	■	■		
TL5	20" x 8 1/4"	■			
TR1R	63" x 12"	■	■	■	■
TR2R	66 1/2" x 13"	■	■	■	■



GLASS & SIZE	OXFORD	SOLSTICE	SPRING	TABITHA
341 8" x 48"	■	■	■	■
342 22" x 48"	■	■	■	■
343 25" x 48"				
344 24 1/4" x 38"				
346 29 3/8" x 50 1/4"				
3R4 24 1/4" x 38"				
3R5 25 3/8" x 50 1/4"				
3R6 29 3/8" x 50 1/4"				
3V1 7" x 39 1/2"				
3V2 16.781" x 38.719"				■
3V3 13" x 53"				
8C1 8" x 41"				
8C2 9 3/4" x 41"				
8C3 9 1/2" x 57 1/4"				
9P1 7 1/2" x 18 1/2"			■	
EYE 11 20/61" x 36 3/4"				
FL1 7" x 64"	■	■	■	■
FL2 8" x 80"	■	■	■	■
FL5 20" x 64"		■		■
FL6 20" x 80"				
FL7 22" x 64"	■	■	■	■
FL8 22" x 80"	■	■		■
HL2 8" x 36"	■	■	■	
HL3 20" x 36"		■		■
HL4 22" x 36"	■	■	■	■
HL6 25 1/2" x 50"			■	
HR1 22" x 10"				■
TL1 25 1/2" x 8 1/4"			■	
TL3 25" x 15"	■	■	■	
TL5 20" x 8 1/4"				
TR1R 63" x 12"		■	■	■
TR2R 66 1/2" x 13"		■	■	■

TESTING RESULTS

ASTM D1761	SCREW HOLDING CAPACITY
NWWDA TM-7	CYCLE SLAM TEST
NWWDA TM-8	HINGE LOAD RESISTANCE TEST
ASTM E 283	AIR INFILTRATION
ASTM E 331 / E 547	WATER RESISTANT
ASTM E 330	UNIFORM STRUCTURAL LOAD
ASTM E1886 / E1996	IMPACT / CYCLE TEST
AAMA 1304	FORCED ENTRY RESISTANCE TEST
TAS 201	IMPACT TEST
TAS 202	AIR / WATER / STRUCTURAL TEST
TAS 203	WIND PRESSURE CYCLE TEST
NFRC 100 / 200 / 500	ENERGY EFFICIENCY
ASTEM E90 / STC / OITC	SOUND TRANSMISSION
ULC 10 C / NFPA 252 / ASTM E 2074	FIRE RATED
CDPH / EHLB METHOD V1.1 2010	VOLATILE ORGANIC CHEMICAL EMISSION TEST
JIS Z 2801:2001	ANTIMICROBIAL PRODUCTS TEST
ASTM D1413-07	ANTIFUNGAL WOOD PLASTIC COMPOSITE TEST
CSFM 12-7A-1	EXTERIOR WILDFIRE EXPOSURE TEST
AAMA 1702	EXTERIOR DOOR TEST FOR MANUFACTURED HOUSING
AAMA 920	OPERATING CYCLE TEST
AAMA / WDMA / CSA 101 / I.S./A440 (NAFS)	NORTH AMERICA FENESTRATION TEST

The PLASTPRO DOOR met requirements for sawing, planing, routing, boring, drilling and chiseling. For more specific results, please see our website at www.plastproinc.com or contact our Customer Service Department at 1 (800) 779-0561.



WARNING: These products may include styrene, titanium dioxide and wood dust, which are known to the State of California to cause cancer. For more information go to www.p65warnings.ca.gov

THE DOOR OF BEAUTY & INNOVATION





2021 SPECIFICATION GUIDE

PlastproInc.com

5200 W. Century Blvd, 9th Floor ■ Los Angeles, CA 90045

Phone: (800) 779-0561 ■ Fax: (310) 693-8620



© 2021 Plastpro Inc. All Rights Reserved

Product # MKLSB2021

Updated March 2021